

D1

ENGINE

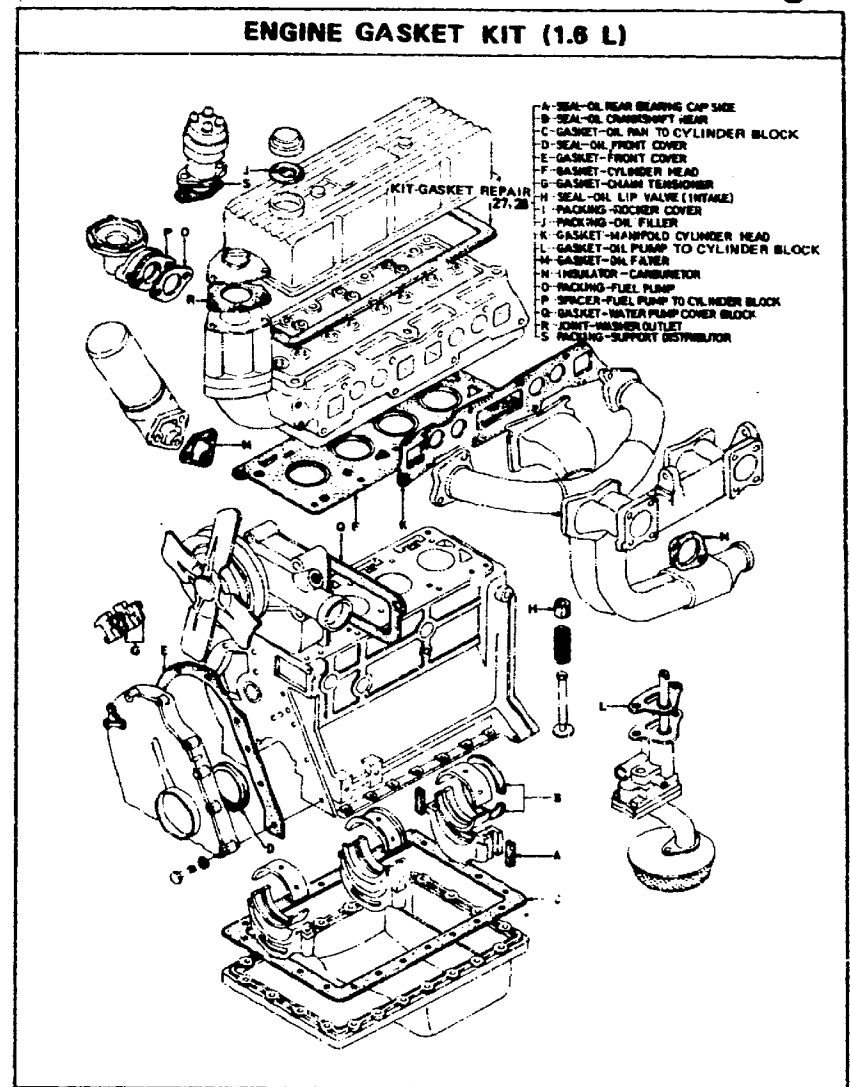
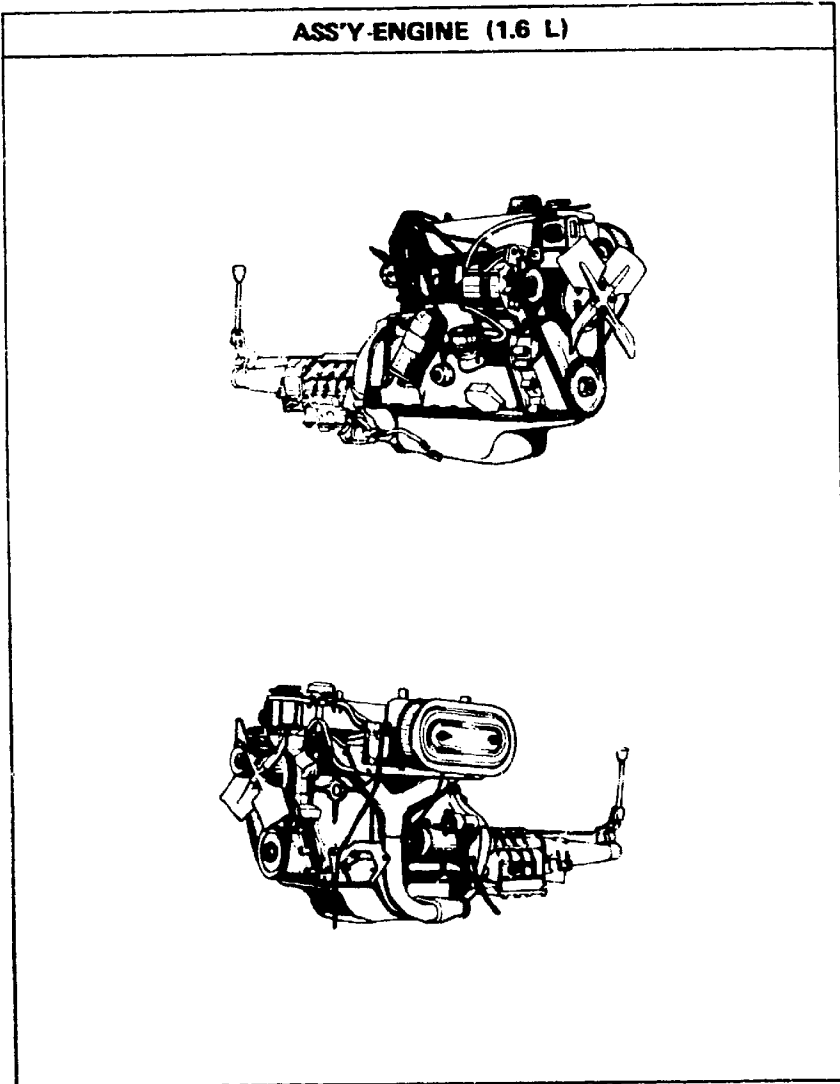
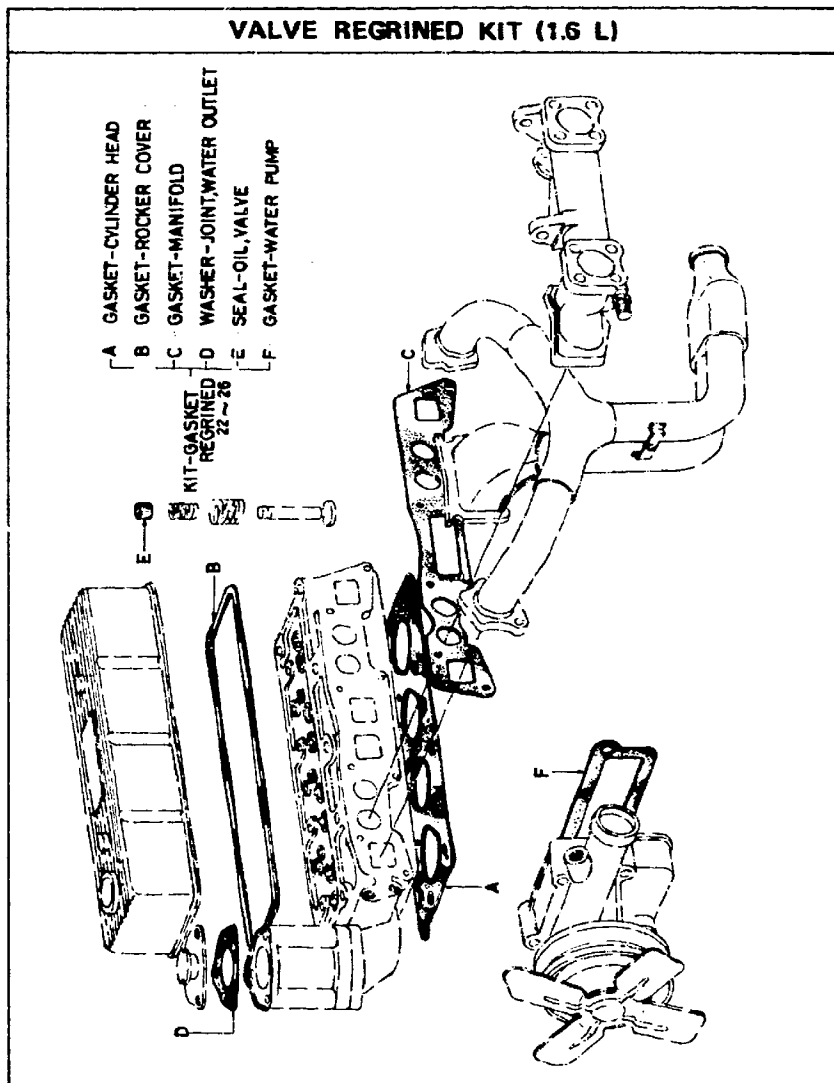


FIG. 0-3 D3 NISSAN MOTOR CO., LTD.



MARCH, 1970

FO - 3

Printed in Japan

NISSAN MOTOR CO., LTD.

FIG. C

S	KEY NO.	PART NO.	PART NAME	QTY	SALES UNIT	MODEL	ICA
ENGINE & GASKET KIT (1.6L)							
	1	10001-14651	ASSY-ENGINE WITH CLUTC H, IRON HEAD, SHOG DEVIC E	1		SPL(USA ON LY)	
	2	10001-14653	ASSY-ENGINE W/CLUTCH, S HOG DEVICE (FROM E/R R-10606)	1		SPL(USA ON LY)	Y
	3	10001-14752	ENGINE W/CLUTCH AL HEAD(FROM E/R R-23723 TO R-40000)	1	1	SPL(U.S.A. ONLY)	Y
	4	10001-14750	ASSY-ENGINE WITH CLUTC H, IRON HEAD	1	1	SPL(EXC. U.S.A.)	
	5	10001-14751	ASSY-ENGINE W/CLUTCH, A L HEAD (FROM E/R R-10606)	1		SPL(EXC US A)	Y
	6	10001-14752	ENGINE W/CLUTCH AL WEA D (FROM E/R R-23723 TO R-40000)	1	1	SPL(EXC. U.S.A.)	Y
	7	10001-14748	ENGINE W/CLUTCH (FROM E/R R-40001) 5-BEARING	1	1	1.6L L DRIVE	Y
	8	10001-14742	ENGINE W/CLUTCH(FROM E/R R-40001) 5-BEARING	1	1	1.6L L DRIVE EXC EXHAUS Y & EVAPO	Y
	9	10001-14743	ENGINE W/CLUT(FROM OCT -67) SHOG DEVICE NO LON GER SALE	1	1	1.6L EXHAUST	
	10	10001-14750	ENGINE W/CLUTCH (FROM JUL-69)	1		1.6L EXHAUST	N
	11	10001-14740	ASSY-ENGINE W/CLUTCH (FROM JUL-69)	1		1.6L EVAPO	Y
	12	10001-14650	ASSY-ENGINE WITH CLUTC H, IRON HEAD	1		1.6L R DRIVE	

REVISED: DECEMBER, 1971

- - 1

Printed in Japan

FIG. 0 D4 NISSAN MOTOR CO., LTD.

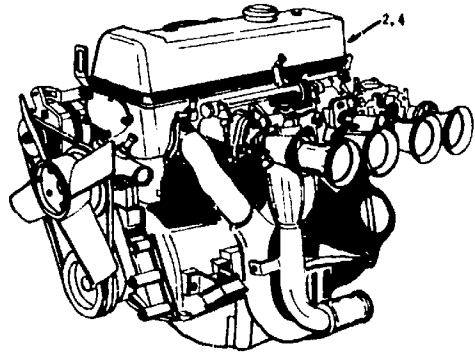
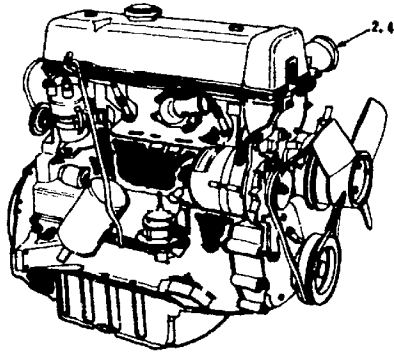
S	KEY NO.	PART NO.	PART NAME	QTY	SALES UNIT	MODEL	ICA
•	13	10001-14652	ASSY-ENGINE WITH CLUTCH H, ALUMINUM HEAD (FROM E// R=10606)	1		1.6L R DRIVE	Y
•	14	10001-14632	ASSY-ENGINE WITH CLUTCH H, ALUMINUM HEAD, ANTI-AIR POLLUTION (FROM E// R=23723)	1		1.6L R DRIVE	Y
•	15	10001-14641	ASSY-ENGINE WITH CLUTCH H, ANTI-AIR POLLUTION (FROM R/H E// R=40001)	1		1 SP	N
	16	10001-14643	ASSY-ENGINE W/CLUTCH A-TJ-A/POLLUTION (FROM R=40001)	1		1 SP	Y
	17	10102-14600	ASSY-ENGINE, BARE (TO E// R=40000)	1		1.6L	
	18	10102-14601	ASSY-ENGINE, BARE (FROM E// R=40001)	1		1.6L	N
•	19	10103-14700	ASSY-ENGINE, SHORT (TO E// R=40000)	1		1.6L	
	20	10103-14701	ASSY-ENGINE, SHORT (FROM E// R=40001)	1		1.6L	N
•	21	10101-12225	KIT-GASKETS, ENGINE REPAIR AIR	1		1.6L	
•	22	10101-12226	KIT-GASKETS, ENGINE REPAIR (TO E// R=2659)	1		1.6L	Y
	23	10101-12227	KIT-GASKETS, ENGINE REPAIR (TO E// R=2659)	1		1.6L	Y
	24	10101-14625	KIT-GASKETS, ENGINE REPAIR AIR (FROM E// R=02660 Y N R=40000)	1		1.6L	N
•	25	10101-18825	KIT-GASKETS, ENGINE REPAIR AIR (FROM E// R=40001)	1		1.6L	N
	26	10101-18728	KIT-GASKETS, ENGINE REPAIR (FROM E// R=40001)	1		1.6L	Y
	27	11042-14625	KIT-GASKETS VALVE REG I-D (TO E// R=40000)	1		1.6L	

NISSAN MOTOR CO., LTD.

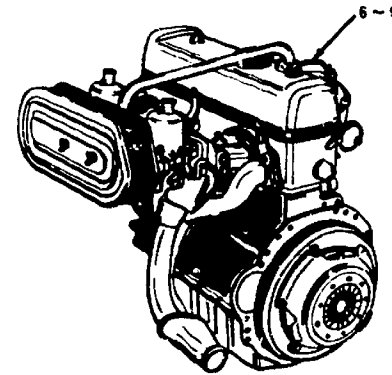
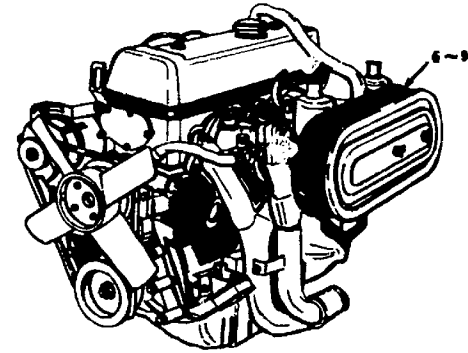
FIG. 0

S	KEY NO.	PART NO.	PART NAME	QTY	SALES UNIT	MODEL	ICA
	25	11042-18825	KIT-GASKETS VALVE REG I-D (FROM E// R=40001)	1		1.6L	N

ASS'Y ENGINE WITH SOLEX CARBURETOR (2 L)



ASS'Y ENGINE WITH SU CARBURETOR (2 L)



Note: When Key No. 2, 4, 6, or 8 and 20010-25850 front exhaust tube are replaced together, they are interchangeable.

FIG. 0A-3 D6 NISSAN MOTOR CO., LTD.

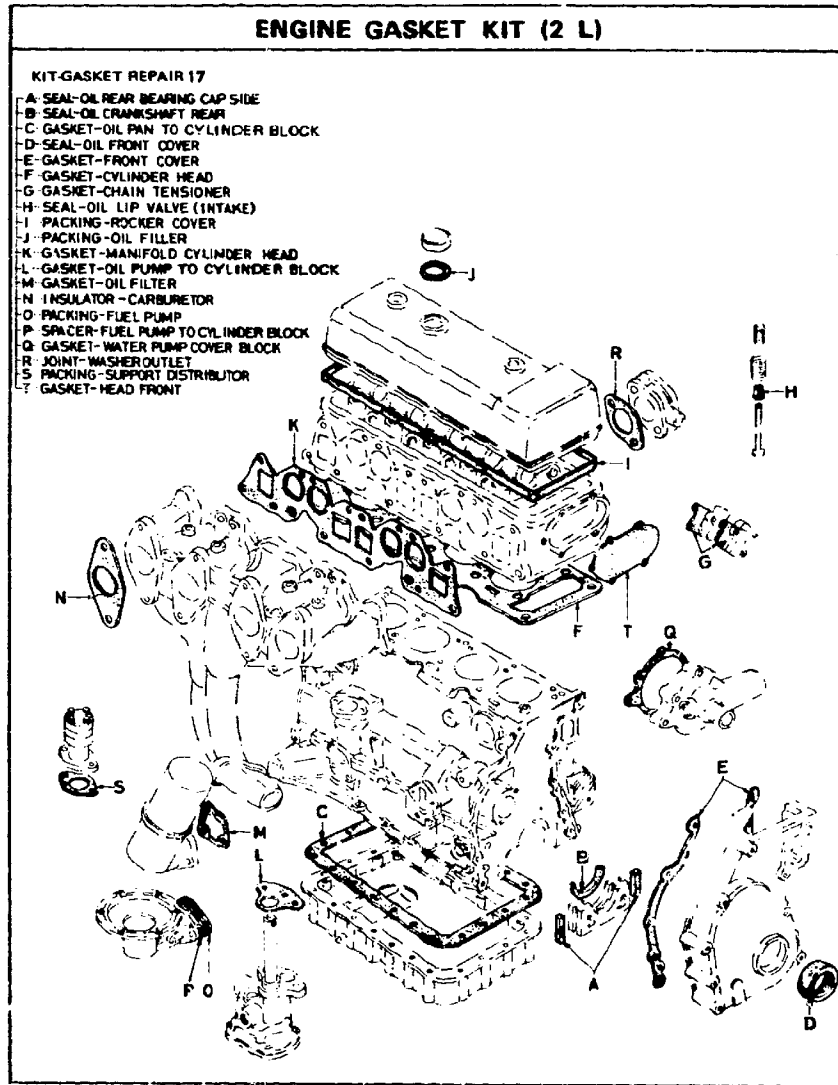


FIG. 0A-4

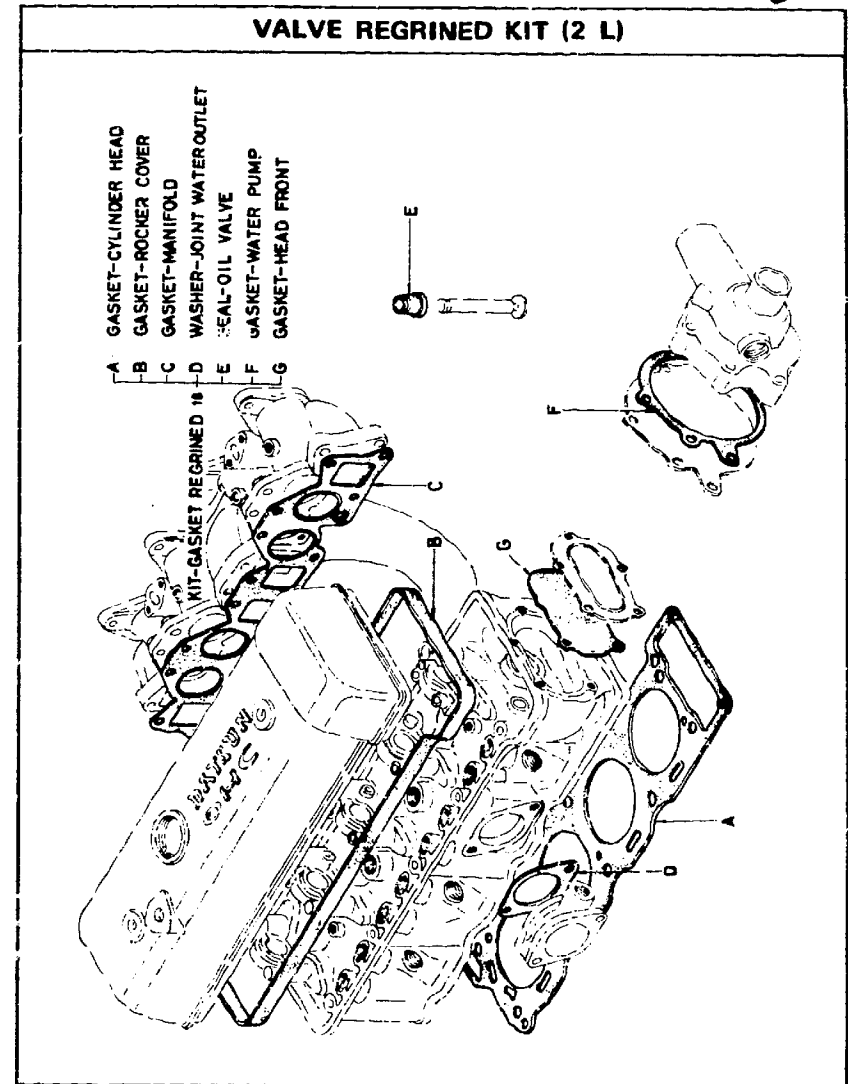


FIG. 0A **D7** NISSAN MOTOR CO., LTD.

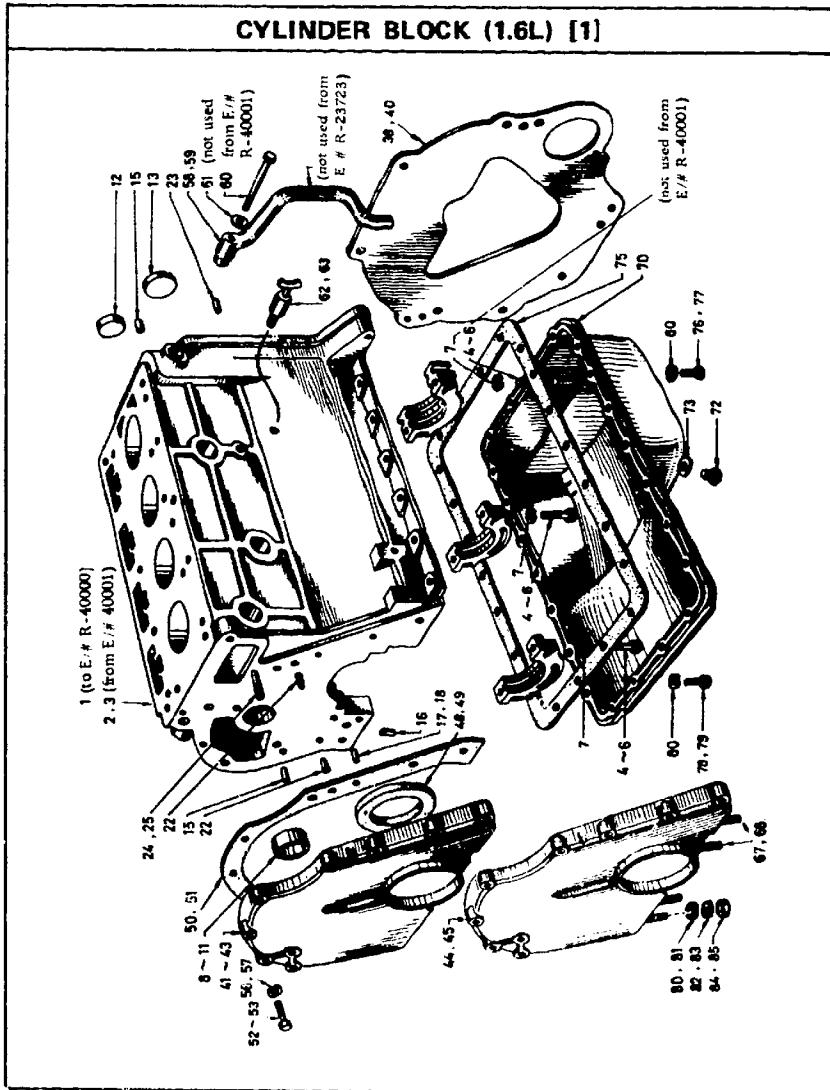
S	KEY NO.	PART NO.	PART NAME	QTY	SALES UNIT	MODEL	ICA
ENGINE & GASKET KIT (2L)							
•	1	10001-25640	ASSY-ENGINE W/CLUTCH & SOLEX CARB (TO SEP-67)	1	1 SRL		
	2	10001-25642	ASSY-ENGINE W/CLUTCH & SOLEX CARB (FROM OCT-67)	1	1 SRL		C
•	3	10001-25641	ASSY-ENGINE W/CLUTCH & SOLEX CARB (TO SEP-67)	1	1 SR		
	4	10001-25643	ASSY-ENGINE W/CLUTCH & SOLEX (FROM OCT-67)	1	1 SR		C
•	5	10001-25650	ASSY-ENGINE W/CLUTCH & SU CARB (TO SEP-67)	1	1 SRL		
	6	10001-25653	ASSY-ENGINE W/CLUTCH & SU CARB (FROM OCT-67)	1	1 SRL		C
	7	10001-25651	ASSY-ENGINE W/CLUTCH & SU CARB (TO SEP-67)	1	1 SR		
	8	10001-25654	ASSY-ENGINE W/CLUTCH & SU CARB (FROM OCT-67)	1	1 SR		C
•	9	10001-25652	ASSY-ENGINE W/CLUTCH & SU (FROM OCT-67)	1	1 SRLU		
	10	10001-17850	ASSY-ENGINE W/CLUTCH & SU (FROM JUL-69)	1	1 2L EXHAUST		C
	11	10001-17840	ASSY-ENGINE W/CLUTCH & SU CARB (FROM JUL-69)	1	1 2L EVAPOR		N
	12	10001-25645	ASSY-ENGINE W/CLUTCH & SU (FROM OCT-68)	1	1 2L FRANCE		
	13	10102-25500	ENGINE-BARE FOR SOLEX	1	1 2L		
	14	10102-25501	ENGINE-BARE FOR SU	1	1 2L		
	15	10103-25500	ENGINE-SHORT	1	1 2L		
•	16	10101-25575	KIT-GASKETS, ENGINE REP AIR	1	1 2L		

NISSAN MOTOR CO., LTD.

FIG. 0A

S	KEY NO.	PART NO.	PART NAME	QTY	SALES UNIT	MODEL	ICA
	17	10101-25520	KIT-GASKETS, ENGINE REP AIR	1	1 2L		Y
	18	11042-25525	KIT-GASKETS, VALVE REGRIND	1	1 2L		

FIG. 1-1 D8 NISSAN MOTOR CO., LTD.



NISSAN MOTOR CO., LTD.

FIG. 1-2

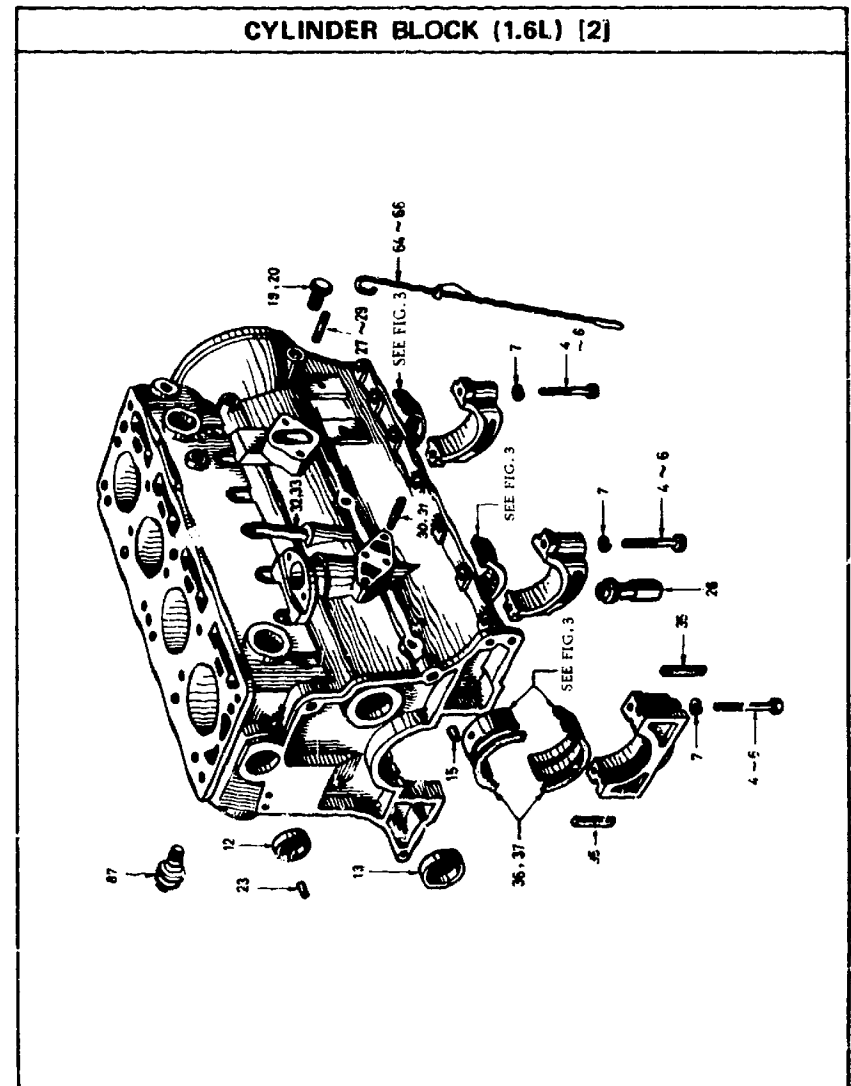


FIG. 1 D9 NISSAN MOTOR CO., LTD.

S	KEY NO.	PART NO.	PART NAME	QTY	SALES UNIT	MODEL	ICA
CYLINDER BLOCK (1.6L)							
EVAPO signifies CALIFORNIA in USA.							
1	11010-14600	ASSY-BLOCK,CYLINDER,WITH PLUGS	1	1	1.6L		
2	11010-74700	ASSY-BLOCK,CYLINDER,WITH PLUGS(FROM E/S R-40001)	1	1	1.6L		N
3	11010-J0100	ASSY-BLOCK,CYLINDER, WITH PLUGS	1	1	1.6L		Y
4	00131-88000	BOLT TO FIX BEARING CAP	6	10	1.6L		
5	1294-78200	BOLT(FROM E/S R-40001) TO FIX BEARING CAP	6	10	1.6L		N
6	1295-78200	BOLT(FROM E/S R-40001) TO FIX BEARING CAP	6	10	1.6L		
7	00915-21010	WASHER-LOCK(NOT USED FROM E/S R-40001) TO FIX BEARING CAP	6	50	1.6L		
8	12002-32200	SET-BUSHING,CAM SHAFT(STANDARD SIZE)	1	1	1.6L		
9	12003-32200	SET-BUSHING,CAM SHAFT(0.25 UNDER SIZE)	1	1	1.6L		
10	12004-32200	SET-BUSHING,CAM SHAFT(0.50 UNDER SIZE)	1	1	1.6L		
11	12004-32201	SET-BUSHING,CAM SHAFT(0.75 UNDER SIZE)	1	1	1.6L		
12	00933-13500	PLUG-PAPER(35)	6	25	1.6L		
13	22019-32200	PLUG-PAPER(44,425)	1	10	1.6L		
14	11021-30000	PLUG-OIL GALLERY,CRANK CASE(BRASS)	2	1	1.6L		
15	11021-13200	PLUG-OIL GALLERY,CRANK CASE(BRASS)	2	10	1.6L		Y

REVISED: MARCH, 1972

1 - 1

Printed in Japan

NISSAN MOTOR CO., LTD.

FIG. 1

S	KEY NO.	PART NO.	PART NAME	QTY	SALES UNIT	MODEL	ICA
16	11024-03200	PLUG-PLIND(6,5)	3	10	1.6L		
17	15001-32201	JET-OIL,(MAIN TENSION R)	1	50	1.6L		
18	15001-78200	JET-OIL,CHAIN TENSION R(FROM E/S R-40001)	1	10	1.6L		N
19	00931-30210	PLUG(FOR OIL GALLERY)	2	50	1.6L		
20	00931-30210	PLUG(FOR OIL GALLERY)(FROM E/S R-40001)	2	50	1.6L		N
21	11023-32200	DOWEL-TIMING CHAIN CASE	2	50	1.6L		
22	11046-73002	DOWEL-TIMING CHAIN CASE	2	10	1.6L		Y
23	30412-05060	DOWEL	2	10	1.6L		
24	00214-65010	STUD (TO FIX WATER PUMP) (TO E/S R-40000)	1	50	1.6L		
25	00227-04010	STUD TO FIX WATER PUMP (FROM E/S R-40001)	1	50	1.6L		N
26	15042-32200	BUSHING-DRIVING SPINDLE,OIL PUMP	1	5	1.6L		
27	00214-52510	STUD(TO FIX FUEL PUMP)	2	50	1.6L		
28	00223-02510	STUD 25H/M (TO FIX FUEL PUMP)(FROM E/S R-40001)	2	50	1.6L		N
29	00223-03210	STUD 32H/M(TO FIX FUEL PUMP)	2	50	1.6L		N
30	00214-62210	STUD(TO FIX OIL FILTER)	2	50	1.6L		
31	00227-02210	STUD TO FIX OIL FILTER (FROM E/S R-40001)	2	50	1.6L		N
32	15146-12200	GUIDE-OIL LEVEL GAUGE	1	1	1.6L		FXC
33	15146-A7700	GUIDE-OIL LEVEL GAUGE	1	5	1.6L		EVAPO

REVISED: MARCH, 1972

1 - 2

Printed in Japan

FIG. 1 D10 NISSAN MOTOR CO., LTD.

S	KEY NO.	PART NO.	PART NAME	QTY	SALES UNIT	MODEL	ICA
•	34	1'289-32201	SEAL-OIL, REAR BEARING CAP SIDE (RUBBER)	2		1.6L	
	35	1'289-14600	SEAL-OIL, REAR BEARING CAP SIDE (RUBBER)	2	5	1.6L	Y
	36	1'279-32200	SEAL-OIL, CRANK SHAFT	2	10	1.6L	
	37	1'279-41000	SEAL-OIL, CRANK SHAFT (FROM E/P R-40001)	2	10	1.6L	N
	38	3'411-30701	PLATE-REAR, ENGINE	1	1	1.6L	
•	39	3'411-70200	PLATE-REAR, ENGINE (FROM E/P R-40001)	1	1	1.6L	N
	40	3'411-70202	PLATE-REAR, ENGINE	1	1	1.6L	Y
	41	1'036-41050	ASSY-COVER, TIMING CHAIN, WITH SEAL	1	1	SPL	
	42	1'036-41000	ASSY-COVER, TIMING CHAIN, WITH SEAL	1	1	SP	
	43	1'035-15000	ASSY-COVER, TIMING CHAIN, WITH SEAL	1	1	1.6L	C
	44	1'500-66600	ASSY-COVER, TIMING CHAIN, WITH SEAL (FROM E/P R-40001)	1	1	1.6L	N
•	45	1'500-66601	ASSY-COVER, TIMING CHAIN	1	1	1.6L	Y
	46	1'515-14700	INDICATOR-TIMING (FROM OCT-67)	1	5	SPLU	
•	47	1'042-32200	SEAL-OIL, TIMING CHAIN COVER	1	2	1.6L	
•	48	1'510-70200	SEAL-OIL, TIMING CHAIN COVER	1	17	1.6L	Y
	49	1'510-00700	SEAL-OIL, TIMING CHAIN COVER	1	7	1.6L	Y
•	50	1'044-32201	SAFETY-TIMING CHAIN COVER	1	1	1.6L	
	51	1'044-32200	SAFETY-TIMING CHAIN COVER	1	17	1.6L	Y

NISSAN MOTOR CO., LTD.

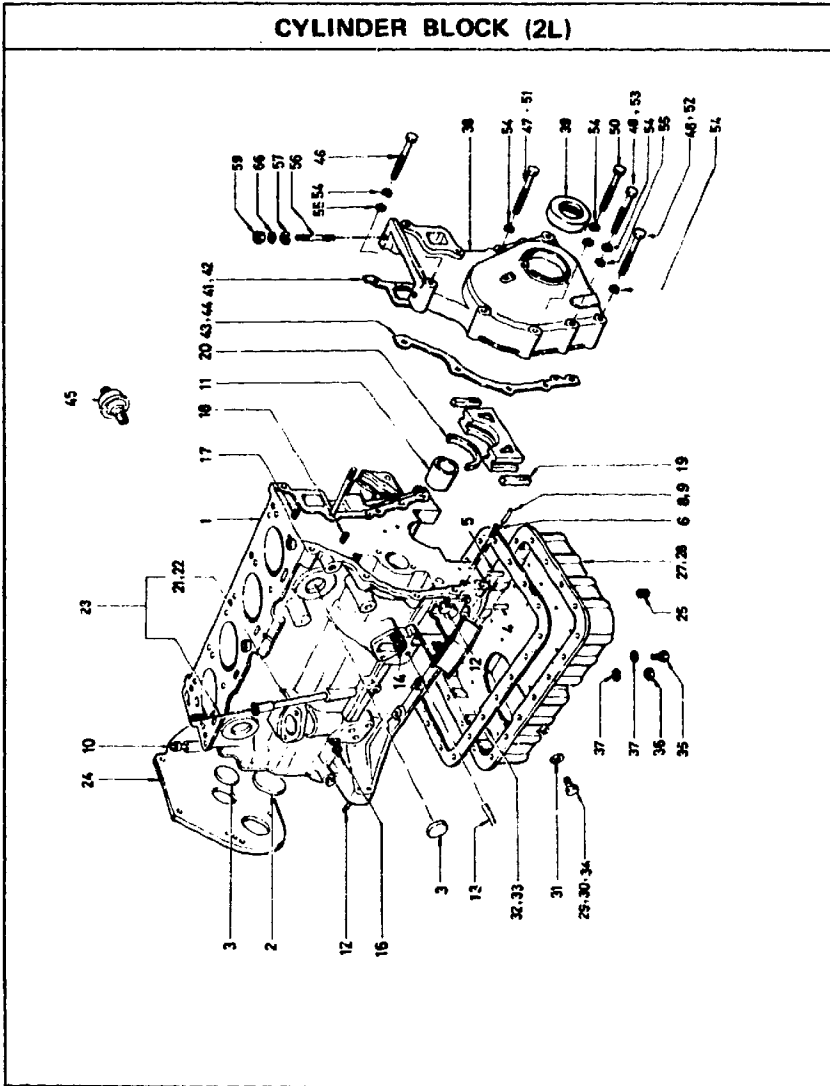
FIG. 1

S	KEY NO.	PART NO.	PART NAME	QTY	SALES UNIT	MODEL	ICA
	52	0'211-31010	BOLT-FIX TIMING CHAIN COVER (TO E/P R-40000)	1	50	1.6L	
	53	0'120-04510	BOLT-FIX TIMING CHAIN COVER (FROM E/P R-40001)	1	50	1.6L	N
	54	0'120-04010	BOLT-FIX TIMING CHAIN COVER (FROM E/P R-40001)	1	50	1.6L	N
	55	1'541-06600	BOLT-FIX TIMING CHAIN COVER (FROM E/P R-40001)	1	1	1.6L	N
	56	0'915-11410	WASHER-LOCK TO FIX TIMING CHAIN COVER	1	50	1.6L	
	57	0'915-13010	WASHER-LOCK (FROM E/P R-40001) TO FIX TIMING CHAIN COVER	1	50	1.6L	N
•	58	1'262-12200	TUCL-BREATHER (TO E/P R-23722)	1	1	SP	
	59	1'262-30700	TUCL-BREATHER	1	1	1.6L	
	60	0'211-07510	BOLT	1	25	1.6L	
	61	1'035-30000	WASHER-FIXING (NOT USED FROM E/P R-40001)	1	50	1.6L	
	62	2'1211-70400	COCK-DRAIN	1	1	1.6L	
	63	2'1211-10000	PLUG-DRAIN (FROM E/P R-40001)	1	10	1.6L	N
	64	1'140-12200	ASSY-GAUGE, OIL LEVEL	1	1	1.6L (FROM E/P R-40001)	
	65	1'140-12201	ASSY-GAUGE, OIL LEVEL (FROM E/P R-40001)	1	5	1.6L	N
	66	1'140-12201	ASSY-GAUGE, OIL LEVEL	1	5	1.6L (FROM E/P R-40001)	
	67	0'224-11610	STUD-FRONT COVER TO OIL PAN	1	1	1.6L	
	68	0'224-11610	STUD-FRONT COVER TO OIL PAN (FROM E/P R-40001)	1	50	1.6L	N

FIG. 1 D11 NISSAN MOTOR CO., LTD.

S	KEY NO.	PART NO.	PART NAME	QTY	SALES UNIT	MODEL	ICA
	60	0F227-04910	STUD-WATER PUMP(FROM E /# R-40001)	1		1.6L	
	70	11110-12200	ASSY-PAN,OIL	1	1	1.6L	
	71	11128-61001	PLUG-DRAIN,OIL PAN	1	50	1.6L	
	72	11128-69200	PLUG-DRAIN,OIL PAN	1	10	1.6L	Y
	73	11026-61000	WASHER-DRAIN PLUG	1	50	1.6L	
	74	11121-32200	GASKET-OIL PAN TO CYLINDER BLOCK	1	10	1.6L	
	75	11121-E0700	GASKET-OIL PAN TO CYLINDER BLOCK	1	10	1.6L	Y
	76	00111-41610	BOLT TO FIX OIL PAN	20	50	1.6L	
	77	00120-61610	BOLT(FROM E/# R-40001) TO FIX OIL PAN	17	50	1.6L	N
	78	00111-42210	BOLT TO FIX OIL PAN	2	50	1.6L	
	79	00120-62210	BOLT(FROM E/# R-40001) TO FIX OIL PAN	3	50	1.6L	N
V	80	00915-11410	WASHER-LOCK TO FIX OIL PAN	22	50	1.6L	
	81	00915-13610	WASHER-SPRING(FROM E/# R-40001) TO FIX OIL PAN	22	50	1.6L	N
V	82	00915-41410	WASHER-PLAIN (TO E/# R-40001)	4	50	1.6L	
	83	00915-43610	WASHER-PLAIN (FROM E/# R-40001)	4	50	1.6L	N
V	84	00011-24410	NUT TO FIX OIL PAN	4	50	1.6L	
	85	00911-10610	NUT(FROM E/# R-40001) TO FIX OIL PAN	4	50	1.6L	N
	86	11150-73400	NUT [INSERT 3/8-19 PS TO FIX OIL PAN	1	5	1.6L	
	87	20078-32200	ASSY-GAUGE,OIL PRESSURE (ENGINE SIDE)(TO SEP-77)	1	1	ALL	

FIG. 1A D12 NISSAN MOTOR CO., LTD.



NISSAN MOTOR CO., LTD.

FIG. 1A

S	KEY NO.	PART NO.	PART NAME	QTY	SALES UNIT	MODEL	ICA
			CYLINDER BLOCK (2L)				
	1	11010-25500	ASSY-BLOCK,CYLINDER 41 TH PLUGS	1	2L		
	2	11019-32200	PLUG-WELCH,JACK SHAFT, REAR	2	10 2L		
	3	01933-13500	PLUG-WELCH(39)	4	25 2L		
	4	11021-13200	PLUG-TAPER(12,7),MAIN GALLERY	7	10 2L		
	5	11024-78200	PLUG-TAPER(8,5),OIL GA LLERY,FRONT	1	50 2L		
	6	13001-78200	JET-OIL,CHAIN TENSIONE R	1	10 2L		
	7	11023-32200	DOWEL-TIMING CHAIN CAS E	2	90 2L		
	8	11046-73402	DOWEL-TIMING CHAIN CASE	2	10 2L		Y
	9	30412-85060	DOWEL-TIMING CHAIN	2	10 2L		
	10	15042-20100	BUSH-OIL PUMP DRIVE SP INDLE	1	5 2L		
	11	13002-71200	SET-BUSH,JACK SHAFT(ST ANDARD)(INC.FRONT,MID LE AND REAR)	1	1 2L		
	12	01931-30210	PLUG-HEXAGON TAPER THR EAD,OIL GALLERY	1	50 2L		
	13	11023-78200	PLUG-TAPER 8,OIL GALLE RY	1	10 2L		
	14	01223-02510	STUD-FUEL PUMP(25H/M)	7	50 2L		
	15	01223-03210	STUD-FUEL PUMP(32H/M)	2	50 2L		N
	16	01223-02010	STUD-OIL PUMP	2	50 2L		

FIG. 1A D13 NISSAN MOTOR CO., LTD.

S	KEY NO.	PART NO.	PART NAME	QTY	SALES UNIT	MODEL	ICA
	17	17061-25500	STUD M6 X 1.25 X 92, WATER PUMP	1	10 ZL		
	18	17062-25500	STUD M10 X 1.25 X 92, WATER PUMP	1	10 ZL		
	19	17289-14600	SEAL-OIL, REAR BEARING CAP SIDE	2	5 ZL		
	20	17279-22200	SEAL-OIL, CRANK SHAFT REAR	2	10 ZL		
	21	15146-12200	OUTLET OIL LEVEL GAUGE	1	1 ZL EXC EVAPD		
	22	15146-27700	OUTLET OIL LEVEL GAUGE	1	5 ZL EVAPD		
	23	15140-12201	ASSY-GAUGE, OIL LEVEL	1	5 ZL		
	24	37411-78202	PLATE-ENGINE REAR	1	1 ZL		
	25	21211-18000	PLUG-DRAIN, OILPASS	1	10 ZL		
	26	11110-14610	ASSY-PAN, OIL FOR SOLEX CARBURETOR	1	1 ZL		
	27	11110-25500	ASSY-PAN, OIL FOR SOLEX CARBURETOR	1	1 ZL		Y
	28	11110-12200	ASSY-PAN, OIL FOR SU CARBURETOR	1	1 ZL		
	29	11128-61001	PLUG-DRAIN	1	50 ZL		
	30	11128-69200	PLUG-DRAIN	1	10 ZL		Y
	31	11026-61000	WASHER-DRAIN PLUG	1	50 ZL		
	32	11121-25500	GASKET-OIL PAN T 1.2	1	10 ZL		
	33	11121-25501	GASKET-OIL PAN	1	10 ZL		Y
	34	11121-15502	GASKET-OIL PAN	1	10 ZL		Y
	35	00915-13610	BUSH-MEXAGON M6 X 1.0 TO ATTACH OIL PAN TO CYLINDER BLOCK	14	50 ZL		
	36	00911-17510	BUSH-MEXAGON M6 X 1.0 TO ATTACH OIL PAN TO CYLINDER BLOCK	4	50 ZL		

1-A-2

Printed in Japan

REVISED: MARCH, 1977

NISSAN MOTOR CO., LTD.

FIG. 1A

S	KEY NO.	PART NO.	PART NAME	QTY	SALES UNIT	MODEL	ICA
	37	00915-13610	BUSHER-SPRING M6 TO ATTACH OIL PAN TO CYLINDER BLOCK	22	50 ZL		
	38	17500-25500	ASSY-COVER, FRONT	1	1 ZL		
	39	17042-73000	SEAL-OIL, FRONT COVER	1	5 ZL		
	40	17042-23500	SEAL-OIL, FRONT COVER	5	5 ZL		Y
	41	13520-20100	GASKET-FRONT COVER M.H.	1	10 ZL		
	42	13520-25500	GASKET-FRONT COVER M.H.	1	10 ZL		Y
	43	13521-20100	GASKET-FRONT COVER L.H.	1	10 ZL		
	44	13521-25500	GASKET-FRONT COVER L.H.	1	10 ZL		Y
	45	25078-32200	ASSY-GAUGE, OIL PRESSURE ENGINE SIDE (TO SERVO-67)	1	1 ALL		
	46	00120-64010	BOLT M8X140 TO ATTACH FRONT COVER TO CYLINDER BLOCK	1	50 ZL		
	47	13267-78211	BOLT M8X140 TO ATTACH FRONT COVER TO CYLINDER BLOCK	2	10 SR		
	48	13036-66700	BOLT M8X190 TO ATTACH FRONT COVER TO CYLINDER BLOCK	2	SPL		
	49	13267-25600	BOLT M8X175X172 TO ATTACH FRONT COVER TO CYLINDER BLOCK	2	10 SRLU		
	50	13267-78213	BOLT M8X155 TO ATTACH FRONT COVER TO CYLINDER BLOCK	2	10 ZL		
	51	13541-25500	BOLT M8X170 TO ATTACH FRONT COVER TO CYLINDER BLOCK	2	SR		

1-A-3

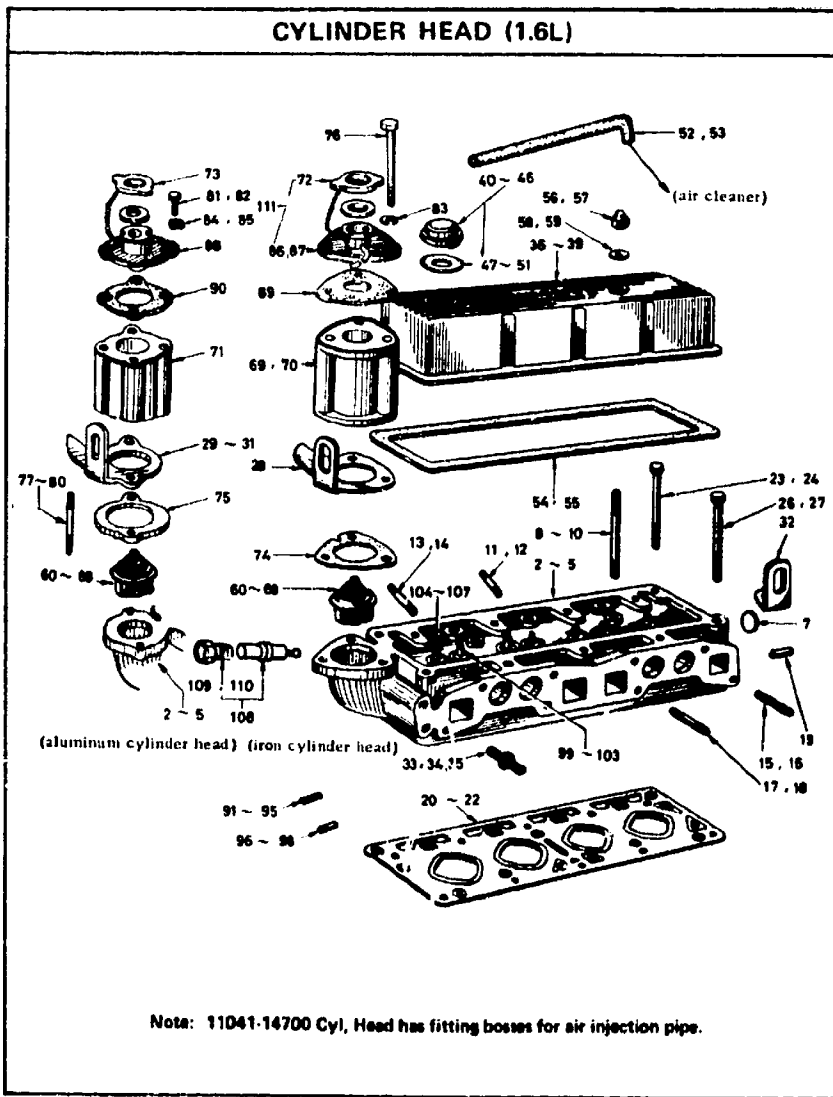
Printed in Japan

REVISED: MARCH, 1977

FIG. 1A D14 NISSAN MOTOR CO., LTD.

S	KEY NO.	PART NO.	PART NAME	QTY	S	RES	MODEL	ICA
	52	13540-25500	BOLT NOKL70 TO ATTACH FRONT COVER TO CYL. HEAD CK	2			54L	
	52	15267-14700	BOLT NOKL85 TO ATTACH FRONT COVER TO CYL. HEAD CK	2	10		SRLU	
	54	04015-13810	WASHER SPRING	7	50		2L	
	55	04015-43810	WASHER PLAIN	9	50		2L	
	54	04226-61410	STUD TO FIX FRONT COVER R TO CYLINDER HEAD	2	50		2L	
	57	04015-13610	WASHER-LOCK TO FIX FRONT COVER TO CYLINDER R HEAD	2	50		2L	
	57	04015-43610	WASHER-PLAIN TO FIX FRONT COVER TO CYLINDER R HEAD	2	50		2L	
	59	04011-10610	NUT TO FIX FRONT COVER TO CYLINDER HEAD	2	50		2L	

FIG. 2 D15 NISSAN MOTOR CO., LTD.



NISSAN MOTOR CO., LTD.

FIG. 2

S	KEY NO.	PART NO.	PART NAME	QTY	SALES UNIT	MODEL	ICA
			CYLINDER HEAD (1.6L)				
•	1	11041-14602	ASSY-HEAD, CYLINDER, IRON	1		1.6L	
•	2	11041-14603	ASSY-HEAD, CYLINDER, ALUMINUM (FROM E/S R=10000)	1		1.6L	Y
•	3	11041-18810	ASSY-HEAD, CYLINDER, ALUMINUM (FROM E/S R=40001)	1		1.6L	N
•	4	11041-18811	ASSY-HEAD, CYLINDER, ALUMINUM (FROM E/S R=49000)	1		1.6L	N
•	5	11041-14700	ASSY-HEAD, CYLINDER AL	1		1.6L	C
•	6	0114-42010	BOLT M14X1,9X20L	4	25	1.6L	
•	7	01933-13500	PLUG-TAPER (35)	1	25	1.6L	
•	8	11063-32200	STUD-ROCKER COVER	2	10	1.6L	
•	9	11063-78200	STUD-ROCKER COVER (FROM L/S R=40001)	2	10	1.6L	
•	10	11063-78201	STUD-ROCKER COVER (FROM E/S R=40001)	2	10	1.6L	Y
•	11	01264-77010	STUD-ROCKER BRACKET	1	10	1.6L	
•	12	11224-78200	STUD-ROCKER BRACKET (FROM L/S R=40001)	1	10	1.6L	N
•	13	01214-61010	STUD-ADJUSTING BAR	1	50	1.6L	
•	14	01227-02210	STUD-ADJUSTING BAR (FROM E/S R=40001)	1	50	1.6L	N
•	15	01224-52810	STUD	4	50	1.6L	
•	16	01223-02810	STUD (FROM E/S R=40001)	4	50	1.6L	N
•	17	01224-53200	STUD-MANIFOLD MOUNTING CENTER	2	50	1.6L	

FIG. 2 D16 NISSAN MOTOR CO., LTD.

S	KEY NO.	PART NO.	PART NAME	QTY	SALES UNIT	MODEL	ICA
	17	10223-83210	STUD-MANIFOLD MOUNTING CENTER(FROM E/F# R-40001)	2	50	1.6L	N
	19	11065-30000	PLUG-OIL HOLE(BRASS)	2	10	1.6L	
	20	11044-14690	GASKET-CYLINDER HEAD(COMPRESSION RATIO 8.011)	1		1.6L	
	21	11044-14601	GASKET-CYLINDER HEAD(COMPRESSION RATIO 8.011)	1	10	1.6L	Y
	22	11044-78222	GASKET-CYLINDER HEAD(COMPRESSION RATIO 8.011)	1	10	1.6L	Y
	23	11056-32200	BOLT-CYLINDER HEAD	9	10	1.6L	
	24	11056-78200	BOLT-CYLINDER HEAD(FROM E/F# R-40001)	9	10	1.6L	Y
	25	11058-18810	WASHER-CYLINDER BOLT 3.2	9	10	1.6L	
	26	11057-12200	BOLT-CYLINDER HEAD	1	10	1.6L	
	27	11057-78200	BOLT-CYLINDER HEAD(FROM E/F# R-40001)	1	10	1.6L	N
	28	10005-14600	SLINGER-ENGINE,FRONT	1	1	1.6L	
	29	10005-14691	SLINGER-ENGINE,FRONT(FROM E/F# R-10600)	1	1	1.6L	N
	30	10004-73400	SLINGER-ENGINE,FRONT (1.6L)	1	5	1.6L	Y
	31	10004-14600	SLINGER-ENGINE,FRONT (1.6L)	1	5	1.6L	Y
	32	10006-32200	SLINGER-ENGINE,REAR	1	5	1.6L	
	33	11057-12200	CONNECTOR-CYLINDER HEAD	1	5	1.6L	
	34	11057-14600	CONNECTOR-CYLINDER HEAD (FROM E/F# R-40001)	1	100	1.6L	N

NISSAN MOTOR CO., LTD.

FIG. 2

S	KEY NO.	PART NO.	PART NAME	QTY	SALES UNIT	MODEL	ICA
	35	1059-14600	CONNECTOR-CYLINDER HEAD	1	5	1.6L	Y
	36	10264-12300	ASSY-COVER,ROCKER,FOR ANTI-AIR POLLUTION	1	1	1.6L USA ONLY	
	37	10264-16000	ASSY-COVER,ROCKER,FOR ANTI-AIR POLLUTION(FROM E/F# SPL311 1217)	1	1	1.6L USA ONLY	
	38	10265-12201	ASSY-COVER,ROCKER	1	1	1.6L EXC USA	
	39	10264-16000	ASSY-COVER,ROCKER,FOR ANTI-AIR POLLUTION(FROM E/F# R-23723)	1	1	1.6L EXC USA	
	40	10254-12300	ASSY-FILLER,OIL FOR ANTI-AIR POLLUTION	1	1	1.6L USA ONLY	
	41	10254-15902	ASSY-FILLER,OIL FOR ANTI-AIR POLLUTION	1		1.6L USA ONLY	
	42	10255-15902	ASSY-FILLER,OIL FOR ANTI-AIR POLLUTION	1		1.6L USA ONLY	Y
	43	10255-15952	ASSY-FILLER,OIL FOR ANTI-AIR POLLUTION	1	1	1.6L USA	Y
	44	10255-12251	ASSY-FILLER,OIL	1	1	1.6L EXC USA	
	45	10254-15902	ASSY-FILLER,OIL FOR ANTI-AIR POLLUTION(FROM E/F# R-23723)	1		1.6L EXC USA	
	46	10255-15953	ASSY-FILLER,OIL FOR ANTI-AIR POLLUTION	1	5	1.6L	Y
	47	10270-36700	PACKING-OIL FILLER	1		1.6L EXC USA	
	48	10270-11200	PACKING-OIL FILTER (1.6L E/F# R-23723)	1	10	1.6L	Y
	49	10270-13400	PACKING-OIL FILTER	1	10	1.6L	
	50	10270-11200	PACKING-OIL FILTER(FROM E/F# R-23723)	1	10	1.6L EXC USA	
	51	10270-13400	PACKING-OIL FILTER	1	10	1.6L	

FIG. 2 E1 NISSAN MOTOR CO., LTD.

S	KEY NO.	PART NO.	PART NAME	QTY	SALES UNIT	MODEL	ICA
	52	14571-12300	ASSY-ROSF,ROCKER COVER TO AIR CLEANER	1	1	1.6L USA ONLY	
	53	14571-14700	ASSY-ROSF,ROCKER COVER TO AIR CLEANER(FROM E/F# R=23723)	1	5	1.6L	Y
	54	14270-32200	GASKET-ROCKER COVER	1		1.6L	
	55	14270-36700	GASKET-ROCKER COVER	1	10	1.6L	Y
	56	14239-10400	NUT-CAP	2	10	1.6L	
	57	14274-19810	NUT-CAP (FROM E/F# R=40001)	2	50	1.6L	N
	58	14228-10400	WASHER-CAP NUT	2	10	1.6L	
	59	14275-F1000	WASHER-CAP NUT	2	5	1.6L	Y
	60	21200-41000	ASSY-THERMOSTAT(76.5 DEGREES)	1	1	1.6L	
	61	21200-78502	ASSY-THERMOSTAT(76.5 DEGREES)	1	1	1.6L	Y
	62	21200-01001	ASSY-THERMOSTAT(FOR WINTER) (82 DEGREES)	1	1	1.6L	
	63	21200-78500	ASSY-THERMOSTAT(FOR WINTER) (82 DEGREES)	1	1	1.6L	Y
	64	21200-01002	ASSY-THERMOSTAT FOR COOL AREA (84 DEGREES)	1	1	1.6L	
	65	21200-78501	ASSY-THERMOSTAT FOR COOL AREA (84 DEGREES)	1	1	1.6L	Y
	66	21200-78503	ASSY-THERMOSTAT FOR COOL AREA (86 DEGREES)	1	1	1.6L	Y
	67	21200-78505	ASSY-THERMOSTAT FOR COOL AREA (88 DEGREES)	1	1	1.6L	Y
	68	21200-78506	ASSY-THERMOSTAT FOR COOL AREA (88 DEGREES)	1	1	1.6L	Y
	69	11060-14602	ELBOW-WATER OUTLET,4 HOLES(FROM E/F# R=10600)	1	1	1.6L	

REVISED: MARCH, 1972

2 - 4

Printed in Japan

NISSAN MOTOR CO., LTD.

FIG. 2

S	KEY NO.	PART NO.	PART NAME	QTY	SALES UNIT	MODEL	ICA
	70	11060-14601	ELBOW-WATER OUTLET,4 HOLES(FROM E/F# R=10600)	1	1	1.6L	N
	71	11060-14700	ELBOW-WATER OUTLET (FROM OCT-67)	1	1	SPLU	
	72	21430-14601	ASSY-CAP,RADIATOR	1	1	1.6L	
	73	21430-14603	ASSY-CAP,RADIATOR(FROM E/F# R=10600)	10	1.6L		Y
	74	11062-30000	WASHER-JOINT,WATER OUTLET ELBOW (3 HOLES)	1	50	1.6L	
	75	11062-14600	WASHER-JOINT,WATER OUTLET ELBOW(2 HOLES)(FROM E/F# R=10600)	1	10	1.6L	Y
	76	14037-09400	BOLT TO FIX ELBOW TO CYLINDER HEAD(TO E/F# R=10605)	3	10	1.6L	
	77	11050-14601	BOLT-STUD (FROM E/F# R=10600 TO R=40000)	2	10	1.6L	N
	78	11050-14602	BOLT-STUD	2	5	1.6L	Y
	79	11050-14603	BOLT-STUD (FROM E/F# R=40001)	2	10	1.6L	N
	80	11050-14700	BOLT-STUD (FROM OCT-67)	2	10	SPLU	
	81	00114-01410	BOLT(FROM E/F# R=10600 TO R=40000)	2	50	1.6L	N
	82	00120-01410	BOLT(FROM E/F# R=40001)	2	50	1.6L	N
	83	00015-11510	WASHER-LOCK TO FIX ELBOW TO CYLINDER HEAD(TO E/F# R=10605)	3	50	1.6L	
	84	00015-11410	WASHER-SPRING(FROM E/F# R=10600)	2	50	1.6L	N
	85	00015-13610	WASHER-SPRING(FROM E/F# R=40001)	2	50	1.6L	N
	86	21411-14601	ASSY-NECK,OIL FILLER	1	1	1.6L	
	87	01430-14601	ASSY-NECK,OIL FILLER	1	1	1.6L	Y

REVISED: MARCH, 1972

2 - 5

Printed in Japan

FIG. 2 E2 NISSAN MOTOR CO., LTD.

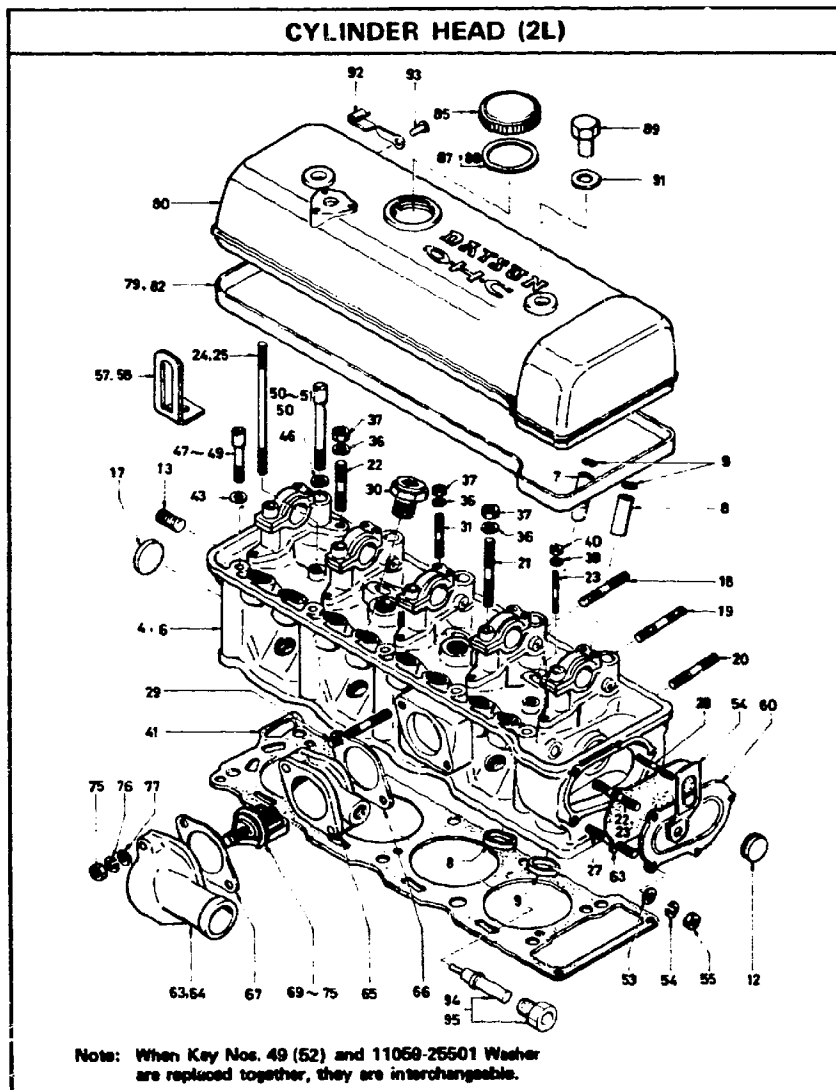
S	KEY NO.	PART NO.	PART NAME	QTY	SALES UNIT	MODEL	ICA
	107	21411-14603	WASHER-FOR OIL FILLER (FROM E/P R-10606)	1	1	1.6L	"
	97	11042-14610	WASHER-FILLER NECK, 3 HOLE	1	50	1.6L	"
	97	21412-14610	WASHER-FILLER NECK, 4 HOLES (FROM E/P R-10604)	1	10	1.6L	"
	97	01931-20010	PLUG-BLIND, STEEL	1	10	1.6L	"
	97	11048-14601	PLUG-BLIND, ALUMINUM (FROM E/P R-10606)	1	10	1.6L	"
	97	11040-14602	PLUG-BLIND	1	10	1.6L	Y
	97	11046-14603	PLUG-BLIND	1	10	1.6L	Y
	97	11048-14604	PLUG-BLIND	1	10	1.6L	Y
	97	11049-14600	PLUG-TAPER, STEEL	1	10	1.6L	"
	97	11047-14601	PLUG-TAPER, ALUMINUM (FROM E/P R-10606)	1	10	1.6L	"
	97	11049-14602	PLUG-TAPER, ALUMINUM (FROM E/P R-10606)	1	10	1.6L	Y
	97	11212-14600	GUIDE-VALVE, INTAKE (IC E/P R-19884)	4	6	1.6L	"
	100	11212-14601	GUIDE-VALVE, INTAKE (IC E/P R-19884)	4	6	1.6L	Y
	100	11212-19815	GUIDE-VALVE, INTAKE	4	6	1.6L	Y
	100	11212-18810	GUIDE-VALVE, INTAKE (FROM E/P R-49885)	4	6	1.6L	"
	100	11212-19815	GUIDE-VALVE, INTAKE (FROM E/P R-49885)	4	6	1.6L	Y
	100	11213-14610	GUIDE-VALVE, EXHAUST (IC E/P R-19884)	4	40	1.6L	"
	100	11213-14615	GUIDE-VALVE, EXHAUST	4	4	1.6L	Y
	100	11213-19810	GUIDE-VALVE, EXHAUST (FROM E/P R-49885)	4	4	1.6L	"

NISSAN MOTOR CO., LTD.

FIG. 2

S	KEY NO.	PART NO.	PART NAME	QTY	SALES UNIT	MODEL	ICA
	107	11213-18815	GUIDE-VALVE, EXHAUST (FROM E/P R-49885)	4	10	1.6L	Y
	100	21060-02200	COMP-TRANSMITTER, THERMAL, ENGINE SIDE	1	5	ALL	"
	100	21251-30100	WAT-GRAND, THERMAL	1	10	1.6L	"
	110	21251-37700	WAT-GRAND, THERMAL (FROM E/P R-40001)	1	10	ALL	"
	111	01430-14601	CORNER FILLER WITH CAP	1	1	1.6L	"

FIG. 2A E3 NISSAN MOTOR CO., LTD.



NISSAN MOTOR CO., LTD.

FIG. 2A

S	KEY NO.	PART NO.	PART NAME	QTY	SALES UNIT	MODEL	ICA
			CYLINDER HEAD (2L)				
•	1	11040-25500	ASSY-HEAD,CYLINDER WIT H CAM PRACKET	1	2L		
•	7	11041-25500	ASSY-HEAD,CYLINDER (TO SEP-67)	1	1 2L		Y
•	3	11041-25500	ASSY-HEAD,CYLINDER (FROM OCT-67)	1	1 2L EXC SRLU		Y
•	4	11041-25501	ASSY-HEAD,CYLINDER W/CAM BRKT	1	1 2L EXC SRLU		Y
•	5	11040-25601	ASSY-HEAD,CYLINDER (FROM OCT-67) (NOT FOR SALE)	1	1 SRLU		N
•	6	11041-25601	ASSY-HEAD,CYLINDER W/CAM BRKT	1	1 SRLU		Y
•	7	13212-25909	GUIDE-INTAKE VALVE	4	10 2L		
•	8	13213-25909	GUIDE-EXHAUST VALVE	4	10 2L		
•	9	13214-14600	RING-SNAP,VALVE GUIDE	8	10 2L		
•	10	11040-25500	SEAT-INTAKE VALVE	4	10 2L		
•	11	11040-25500	SEAT-EXHAUST VALVE	4	2L		
•	12	00933-21070	PLUG-OIL HOLE	1	50 2L		
•	13	00933-20650	PLUG-OIL HOLE	2	50 2L		
•	14	11040-73400	PLUG-BLIND	3	10 2L		
•	15	11040-73401	PLUG-BLIND	3	10 2L		Y
•	16	11040-73402	PLUG-BLIND	3	10 2L		Y
•	17	11040-73403	PLUG-BLIND	3	10 2L		Y
•	18	02274-B2010	STUD-EXHAUST MANIFOLD, CENTER	2	25 2L		

S	KEY NO.	PART NO.	PART NAME	QTY	SALES UNIT	MODEL	ICA
	19	0224-03010	STUD-EXHAUST & INTAKE MANIFOLD	6	25 2L		
	20	0224-03210	STUD-YOKE & SLINGER	6	25 2L		
	21	11064-25500	STUD-CAM SHAFT BEARING LONGER	9	2L		
	22	0224-02010	STUD-CAM SHAFT BEARING 1/8 X 1.25	9	25 2L		
	23	0220-62210	STUD-CAM SHAFT BEARING 1/8 X 1.0	9	50 2L		
	24	11063-25500	STUD-ROCKER COVER	2	10 2L		
	25	11063-14610	STUD-ROCKER COVER	2	10 2L		Y
	26	0223-02210	STUD-ALTERNATOR ADJUSTING GAP	1	50 2L		
	27	0223-01610	STUD-FRONT PLATE	1	50 2L		
	28	0224-61410	STUD-FRONT PLATE	3	50 2L		
	29	05224-05510	STUD-WATER OUTLET	2	25 2L		
	30	13215-25500	RUSH-PIVOT	6	5 2L		
	31	0220-63010	STUD-M6 X 1.0	10	50 2L		
	32	09015-43600	WASHER-PLAIN M6	10	50 2L		
	33	09015-43610	WASHER-PLAIN M6	10	50 2L		Y
	34	13015-25500	WASHER-CAM SHAFT BRACKET GAP	10	10 2L		Y
	35	13099-25500	NUT-M6	10	10 2L		
	36	09015-43010	WASHER-PLAIN M6	10	50 2L		
	37	09011-20010	NUT-M6 X 1.25	10	50 2L		
	38	09015-43600	WASHER-PLAIN	9	50 2L		
	39	09015-43610	WASHER-PLAIN	9	50 2L		Y
	40	09011-10610	NUT M6 X 1.0	9	50 2L		
	41	11044-25501	GASKET-CYLINDER HEAD	1	10 2L		

S	KEY NO.	PART NO.	PART NAME	QTY	SALES UNIT	MODEL	ICA
	42	11044-A7400	GASKET-CYLINDER HEAD	1	10 2L		Y
	43	11090-65000	WASHER-HEAD BOLT	9	10 2L		
	44	11090-25501	WASHER-HEAD BOLT	9	10 2L		Y
	45	11090-25500	WASHER-HEAD BOLT	9	2L		
	46	11090-25501	WASHER-HEAD BOLT	9	10 2L		Y
	47	11096-25500	BOLT-CYLINDER HEAD, LONG	9	2L		
	48	11096-25501	BOLT-CYLINDER HEAD, LONG	9	10 2L		Y
	49	11096-25502	BOLT-CYLINDER HEAD, LONG	9	5 2L		C
	50	11097-25500	BOLT-CYLINDER HEAD, LONG	9	2L		
	51	11097-25501	BOLT-CYLINDER HEAD, LONG	9	10 2L		Y
	52	11097-25502	BOLT-CYLINDER HEAD, LONG	9	5 2L		C
	53	09015-43610	WASHER-PLAIN TO ATTACH FRONT COVER	2	50 2L		
	54	09015-13610	WASHER-LOCK TO ATTACH FRONT COVER	2	50 2L		
	55	09011-10610	NUT M6 X 1.0 TO ATTACH FRONT COVER	2	50 2L		
	56	10005-25500	SLINGER-ENGINE FRONT	1	2L		
	57	10006-25500	SLINGER-ENGINE REAR	1	1 2L		
	58	10006-25601	SLINGER-ENGINE REAR	1	5 2L		Y
	59	11046-25500	PLATE-HEAD FRONT	1	2L		
	60	11046-25501	PLATE-HEAD FRONT	1	1 2L		Y
	61	11047-25500	GASKET-HEAD FRONT	1	2L		
	62	11060-25500	OUTLET-ELBOW	1	1 2L		

FIG. 2A E5 NISSAN MOTOR CO., LTD.

S	KEY NO.	PART NO.	PART NAME	QTY	SALES UNIT	MODEL	ICA
	61	11060-25501	OUTLET-ELBOW	1	1 2L		Y
	62	11060-25600	OUTLET-WATER (FROM OCT-07)	1	1 S&LU		
	65	11061-25500	HOUSING-THERMOSTAT	1	1 2L		
	64	11062-73400	WASHER-JOINT, CYLINDER HEAD	1	10 2L		
	67	11062-25500	WASHER-JOINT, WATER OUTLET	1	10 2L		
	68	21200-61001	ASSY-THERMOSTAT (82 DEGREES)	1	1 2L		
	69	21200-78500	ASSY-THERMOSTAT (82 DEG REFS)	1	1 2L		Y
	70	21200-61000	ASSY-THERMOSTAT FOR THE COLD AREA (86 DEGREES)	1	1 OP, 2L		
	71	21200-78505	ASSY-THERMOSTAT FOR THE COLD AREA (80 DEGREES)	1	1 OP, 2L		Y
	72	21200-78506	ASSY-THERMOSTAT FOR THE COLD AREA (80 DEGREES)	1	1 OP, 2L		Y
	73	21200-61002	ASSY-THERMOSTAT FOR THE TROPICS (76.5 DEGREES)	1	1 OP, 2L		
	74	21200-78501	ASSY-THERMOSTAT FOR THE TROPICS (76.5 DEGREES)	1	1 OP, 2L		Y
	75	21200-78502	ASSY-THERMOSTAT FOR THE TROPICS (76.5 DEGREES)	1	1 OP, 2L		Y
	76	0-911-10810	NUT-HEXAGON M8	2	50 2L		
	77	0-915-13810	WASHER-SPRING, LOCK M8	2	50 2L		
	78	0-915-43810	WASHER-PLAIN M8	2	50 2L		
	79	11266-25500	ASSY-COVER, VALVE ROCKETS FOR "SOLE"*	1	1 2L		

2-A-4

Printed in Japan

REVISED: SEPTEMBER, 1971

NISSAN MOTOR CO., LTD.

FIG. 2A

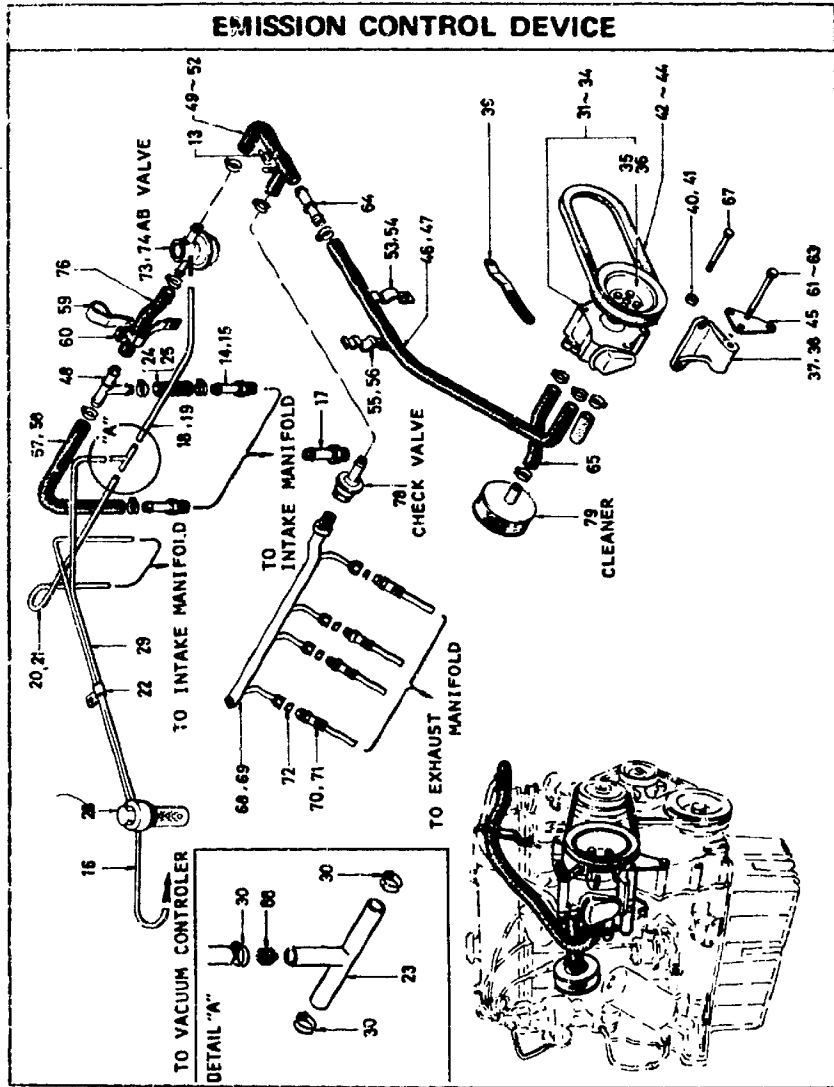
S	KEY NO.	PART NO.	PART NAME	QTY	SALES UNIT	MODEL	ICA
	80	11266-25602	ASSY-COVER, VALVE ROCKETS FOR "SU"	1	1 2L		
	81	11270-25501	GASKET-ROCKER COVER	1	5 2L		
	82	11270-25500	GASKET-ROCKER COVER	1	1 2L		Y
	83	15255-15902	ASSY-CAP, OIL FILLER	1	2L		
	84	15255-15952	ASSY-CAP, OIL FILLER	1	1 2L		Y
	85	15255-15953	ASSY-CAP, OIL FILLER	1	5 2L		Y
	86	15270-36700	PACKING-OIL FILLER CAP	1	2L		
	87	15270-11200	PACKING-OIL FILLER CAP	1	10 2L		Y
	88	15270-83400	PACKING-OIL FILTER CAP	1	10 2L		
	89	11274-20100	NUT-CAP	2	5 2L		
	90	11275-20100	WASHER-CAP NUT	2	10 2L		
	91	11275-E0710	WASHER-CAP NUT	2	10 2L		Y
	92	11291-25602	CLAMP-VACUUM TUBE FOR "SU"	1	5 2L		
	93	0-618-31610	RIVET-POUND HEAD	4	50 2L		
	94	2-291-30100	NUT-GRAND, THERMAL	1	10 1.6L		
	95	2-291-37700	NUT-GRAND, THERMAL (FROM E/S N-00001)	1	10 ALL		N

2-A-5

Printed in Japan

REVISED: SEPTEMBER, 1971

FIG. 2B-1 E6 NISSAN MOTOR CO., LTD.



NISSAN MOTOR CO., LTD.

FIG. 2B-2

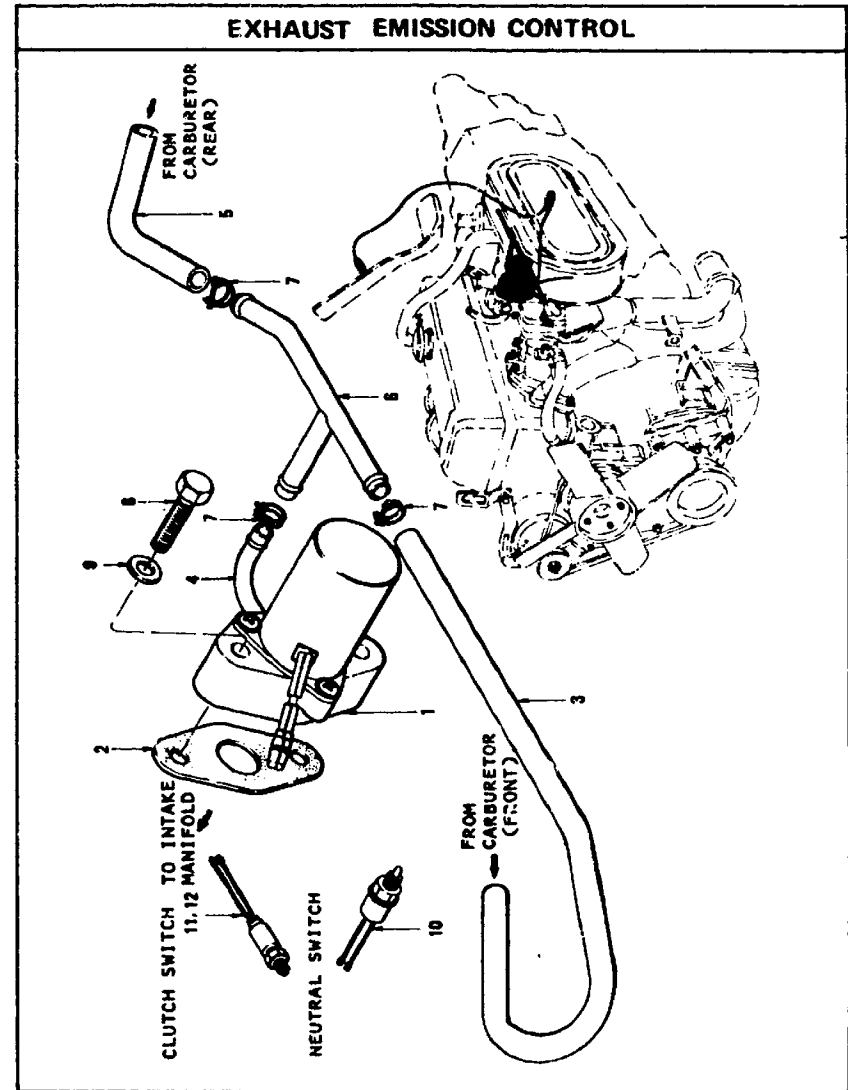
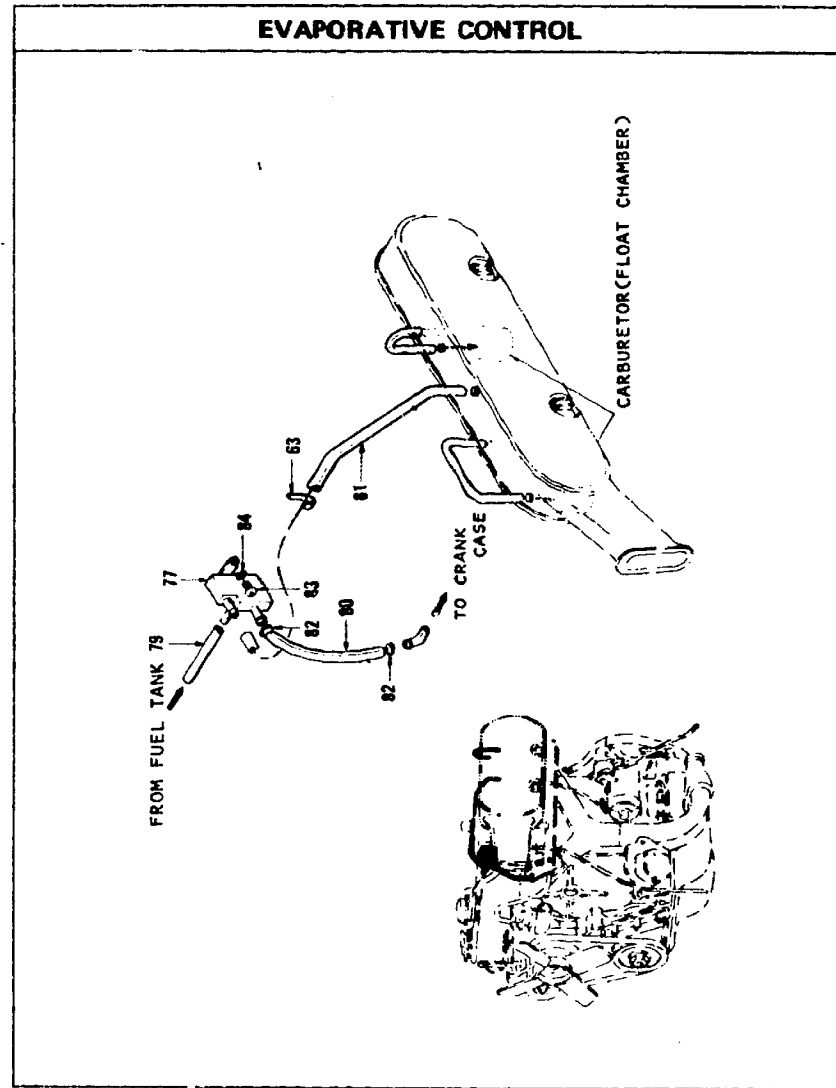


FIG. 2B-3 E7 NISSAN MOTOR CO., LTD.



DECEMBER, 1970

F2B-3

Printed in Japan

NISSAN MOTOR CO., LTD.

FIG. 2B

SKY NO.	PART NO.	PART NAME	QTY	SALES UNIT	MODEL	ICA
EMISSION CONTROL DEVICE (U.S.A. & CANADA)						
<u>EXHAUST signifies ONTARIO and USA except CAL.</u>						
<u>EVAPU signifies CALIFORNIA in USA.</u>						
1	14940-A7700	ASSY BY PASS VALVE	1	1	1.6L EXHAUST & EVAPU	
2	14942-A7700	GASKET-BY PASS VALVE	1	10	1.6L EXHAUST & EVAPU	
3	14944-A7700	TUBE-BY PASS FRONT	1	1	1.6L EXHAUST & EVAPU	
4	14945-A7700	TUBE-BY PASS CENTER	1	1	1.6L EXHAUST & EVAPU	
5	14946-A7700	TUBE-BY PASS REAR	1	1	1.6L EXHAUST & EVAPU	
6	14948-A7700	CONNECTOR 3-WAY	1	5	1.6L EXHAUST & EVAPU	
7	14439-A0600	HOSE CLAMP	6	10	1.6L EXHAUST & EVAPU	
8	00110-02010	BOLT HEX M6X1.0	2	50	1.6L EXHAUST & EVAPU	
9	00915-13610	SPRING LOCK WASHER	2	50	1.6L EXHAUST & EVAPU	
10	37006-A7700	ASSY NEUTRAL & 3RD 4TH GEAR SWITCH	2	1	1.6L EXHAUST & EVAPU	
11	21320-A5500	ASSY CLUTCH SWITCH (NOT ADOPTED)	1		1.6L EXHAUST & EVAPU	

REVISED: SEPTEMBER, 1971

2-00-1

Printed in Japan

FIG. 2 ■ E8 NISSAN MOTOR CO., LTD.

S	KEY NO.	PART NO.	PART NAME	QTY	SALES UNIT	MODEL	ICA
	12	2*320-A5501	ASSY CLUTCH SWITCH	1	1	1.6L EXHAUST & EVAPU	Y
	13	14896-25600	BAND-HOSE (FROM OCT-67)	2	10	EXHAUST & EVAPU	
	14	14875-25600	CONNECTOR-HOSE, MANIFOLD (FROM OCT-67)	2	10	EXHAUST & EVAPU	
	15	14875-A7700	CONNECTOR-HOSE, MANIFOLD	2	10	EXHAUST & EVAPU	Y
	16	14054-14700	TUBE-MANIFOLD TO WATER PUMP (FROM OCT-67)	1	1	1.6L EXHAUST & EVAPU	
	17	14875-25605	CONNECTOR-VAC TUBE (FROM OCT-67)	1	10	EXHAUST & EVAPU	
	18	14886-14700	HOSE-VAC, INTAKE MANIFOLD (FROM OCT-67)	1	5	1.6L EXHAUST & EVAPU	
	19	B*318-73002	HOSE-VAC, INTAKE MANIFOLD (LONG SIZE 5M)	1	5	1.6L EXHAUST & EVAPU	Y
	20	14886-25600	HOSE-VAC, INTAKE MANIFOLD (FROM OCT-67)	1	5	2L EXHAUST & EVAPU	
	21	B*318-73002	HOSE-VAC, INTAKE MANIFOLD (LONG SIZE 5M)	1	5	2L EXHAUST & EVAPU	Y
	22	14898-25600	CLAMP-VAC TUBE (FROM OCT-67)	1	10	2L EXHAUST & EVAPU	
	23	14888-25600	CONNECTOR-3 WAY (FROM OCT-67)	1	10	2L EXHAUST & EVAPU	
	24	14884-14700	HOSE-INTAKE MANIFOLD TO CONNECTOR (FROM OCT-67)	1	5	1.6L EXHAUST & EVAPU	
	25	14885-25601	HOSE-INTAKE MANIFOLD TO CONNECTOR (FROM OCT-67)	1	5	2L EXHAUST & EVAPU	
	26	14885-25600	TUBE-MODULATOR TO CARB (FROM OCT-67)	1	5	2L EXHAUST & EVAPU	
	27	B*318-73002	TUBE-MODULATOR TO CARB (LONG SIZE 5M)	1	5	2L EXHAUST & EVAPU	Y

REVISED: SEPTEMBER, 1971

2

Printed in Japan

NISSAN MOTOR CO., LTD.

FIG. 2 ■

S	KEY NO.	PART NO.	PART NAME	QTY	SALES UNIT	MODEL	ICA
	28	14898-25601	MODULATOR THERMAL (FROM OCT-67)	1	1	2L EXHAUST & EVAPU	
	29	14886-25600	TUBE-MODULATOR TO CONNECTOR (FROM OCT-67)	1	5	2L EXHAUST & EVAPU	
	30	14439-A0603	CLAMP-TUBE	3	10	2L EXHAUST & EVAPU	
	31	14888-14700	AIR PUMP W/PULLEY (FROM OCT-67)	1	1	1.6L EXHAUST	
	32	14888-14701	AIR PUMP W/PULLEY (ISO)	1	1	1.6L EXHAUST & EVAPU	Y
	33	14888-25600	AIR PUMP W/PULLEY (FROM OCT-67)	1	1	2L EXHAUST	
	34	14888-25601	AIR PUMP W/PULLEY (ISO)	1	1	2L EXHAUST & EVAPU	Y
	35	14898-14700	PULLEY-AIR PUMP (FROM OCT-67)	1	1	1.6L EXHAUST & EVAPU	
	36	14898-25600	PULLEY-AIR PUMP (FROM OCT-67)	1	1	2L EXHAUST & EVAPU	
	37	14840-25601	BACKET-AIR PUMP (FROM OCT-67)	1	1	EXHAUST	
	38	14840-25602	BACKET-AIR PUMP	1	1	EXHAUST & EVAPU	Y
	39	14841-25601	BAR-ADJUSTING AIR PUMP (FROM OCT-67)	1	1	EXHAUST & EVAPU	
	40	14849-14700	SPACER-AIR PUMP (FROM OCT-67)	2	5	1.6L EXHAUST & EVAPU	
	41	14849-25600	SPACER-AIR PUMP (FROM OCT-67)	2	10	2L EXHAUST & EVAPU	
	42	14893-25600	BELT-AIR PUMP 730MM (FROM OCT-67)	1	1	EXHAUST	
	43	14893-25601	BELT-AIR PUMP 730 MM	1	1	1.6L EXHAUST & EVAPU	Y
	44	14893-25602	BELT-AIR PUMP 720 MM	1	1	2L EXHAUST & EVAPU	Y

REVISED: SEPTEMBER, 1971

3

Printed in Japan

FIG. 2 ■ E9 NISSAN MOTOR CO., LTD.

S	KEY NO.	PART NO.	PART NAME	QTY	SALES UNIT	MODEL	ICA
	45	14843-25600	SUPPORT-AIR PUMP (FROM OCT-67)	1	1	EXHAUST & EVAPO	
	46	14861-14701	HOSE-PUMP TO CHECK VALVE (FROM OCT-67)	1	5	1.6L EXHAUST & EVAPO	
	47	14861-25602	HOSE-PUMP TO CHECK VALVE	1	5	2L EXHAUST & EVAPO	
	48	14874-25600	CONNECTOR-3 WAY (FROM OCT-67)	1	5	EXHAUST & EVAPO	
	49	14869-14700	HOSE-3 WAY (FROM OCT-67)	1	5	1.6L EXHAUST	
	50	14869-14701	HOSE-3 WAY (FROM OCT-67)	1	5	1.6L EXHAUST & EVAPO	
	51	14869-25600	HOSE-3 WAY (FROM OCT-67)	1	5	2L EXHAUST	
	52	14869-25601	HOSE-3 WAY (FROM OCT-67)	1	5	2L EXHAUST	Y
	53	14872-14700	CLAMP-HOSE, AIR PUMP (FROM OCT-67)	1	5	EXHAUST & EVAPO	
	54	14872-14700	CLAMP-HOSE, AIR PUMP	1	5	1.6L EXHAUST & EVAPO	Y
	55	14873-14700	CLAMP-HOSE, AIR PUMP	1	5	1.6L EXHAUST & EVAPO	
	56	14872-25602	CLAMP-HOSE, AIR PUMP (FROM OCT-67)	1	5	2L EXHAUST & EVAPO	
	57	14869-14700	HOSE-CONNECTOR TO MANIFOLD (FROM OCT-67)	1	5	1.6L EXHAUST & EVAPO	
	58	14864-25601	HOSE-CONNECTOR TO MANIFOLD (FROM OCT-67)	1	5	2L EXHAUST & EVAPO	
	59	14867-14701	CLAMP-HOSE (FROM OCT-67)	1	5	1.6L EXHAUST & EVAPO	
	60	14867-25601	CLAMP-HOSE (FROM OCT-67)	1	5	2L EXHAUST & EVAPO	
	61	14815-23000	ROLY-ADJUSTING BAR (FROM OCT-67)	1	10	EXHAUST	

NISSAN MOTOR CO., LTD.

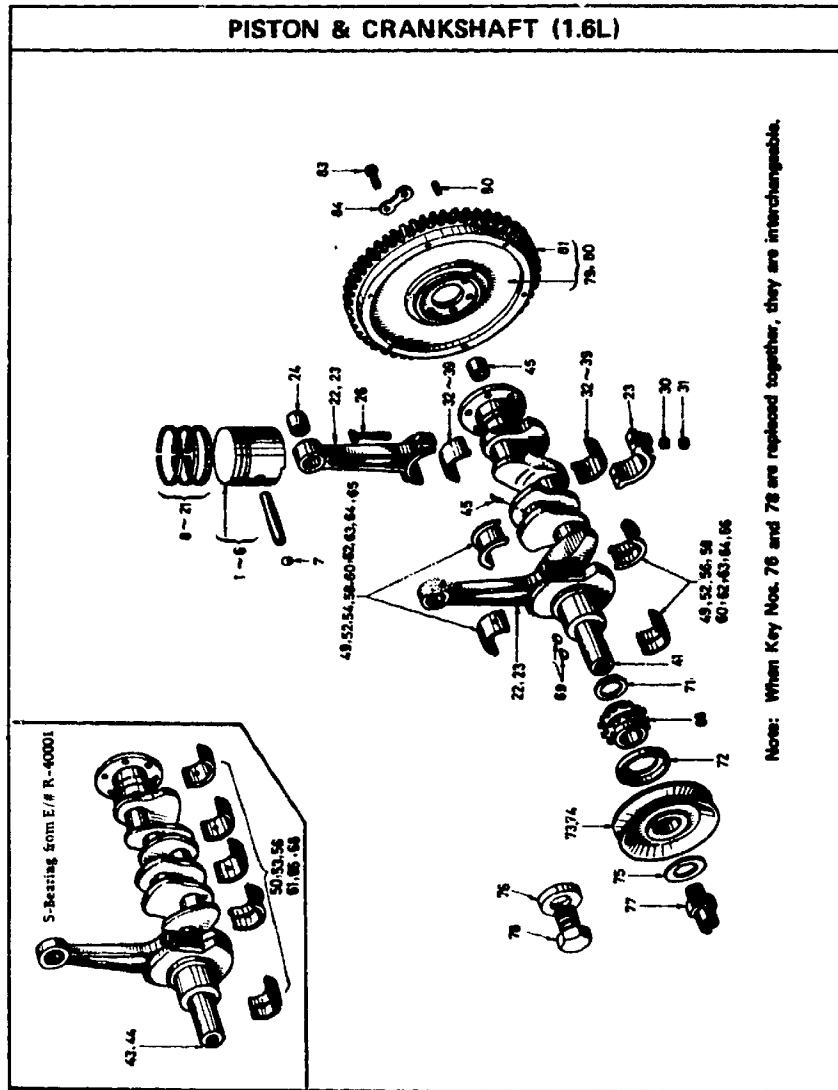
FIG. 2 ■

S	KEY NO.	PART NO.	PART NAME	QTY	SALES UNIT	MODEL	ICA
	62	14842-23000	ROLY-ADJUSTING BAR (FROM OCT-67)	1	10	EXHAUST & EVAPO	Y
	63	14842-25600	ROLY-BYPASS KEY (FROM OCT-67)	1	10	EXHAUST & EVAPO	
	64	14868-25600	CONNECTOR-AIR PUMP (FROM OCT-67)	1	10	EXHAUST & EVAPO	
	65	14869-25601	HOSE-AIR CLEANER TO PUMP (FROM OCT-67)	1	5	EXHAUST & EVAPO	
	66	14896-25601	BAND-HOSE (FROM OCT-67)	1	10	EXHAUST & EVAPO	
	67	14267-14700	ROLY-AIR PUMP FIX (FROM OCT-67)	2	10	1.6L EXHAUST & EVAPO	
	68	14828-14700	PIPE-AIR GALLERY (FROM OCT-67)	1	1	1.6L EXHAUST & EVAPO	
	69	14828-25600	PIPE-AIR GALLERY (FROM OCT-67)	1	1	2L EXHAUST & EVAPO	
	70	14825-14700	PIPE-AIR INJECTION (FROM OCT-67)	4	5	1.6L EXHAUST & EVAPO	
	71	14825-25600	PIPE-AIR INJECTION (FROM OCT-67)	1	5	2L EXHAUST & EVAPO	
	72	14826-25600	SLAT-INJECTION PIPE (FROM OCT-67)	4	10	EXHAUST & EVAPO	
	73	14835-25600	AD VALVE (FROM OCT-67)	1	1	EXHAUST	
	74	14835-25601	AD VALVE	1	1	EXHAUST & EVAPO	Y
	75	14889-25600	ORIFICE-AD VALVE (FROM OCT-67)	1	10	EXHAUST & EVAPO	
	76	14863-14700	HOSE-AD VALVE TO CONNECTOR (FROM OCT-67)	1	5	1.6L EXHAUST & EVAPO	
	77	14829-25600	ROLY-CONNECTOR (FROM OCT-67)	4	10	EXHAUST & EVAPO	
	78	14830-23001	CHECK VALVE (FROM OCT-67)	1	1	EXHAUST & EVAPO	

FIG. 2 ■ E10 NISSAN MOTOR CO., LTD.

S	KEY NO.	PART NO.	PART NAME	QTY	SALES UNIT	MODEL	ICA
	70	1488g-256n0	AIR CLEANER (FROM OCT-67) F0H SU	1	1	EXHAUST & EVAPU	
•	80	14910-A5500	ASSY FLOW GUIDE VALVE	1		EVAPU	
	81	14914-A5500	BRACKET FLOW GUIDE VALVE	1	1	EVAPU	
	82	14911-A5500	TUBE EVAPU CONTROL	1	5	EVAPU	
	83	14912-A7700	TUBE EVAPU CONTROL	1	5	EVAPU	
	84	14913-A7700	TUBE EVAPU CONTROL	1	5	EVAPU	
	85	14439-A0602	CLAMP-MOSE	4	10	EVAPU	
	86	07310-01012	SCREW M6X1.0	1	50	EVAPU	
	87	04915-13610	WASHER SPRING	1	50	EVAPU	
•	88	14296-12300	AMPESTER-FLAME	1	10	2L EXHAUST & EVAPU	

FIG. 3 E11 NISSAN MOTOR CO., LTD.



NISSAN MOTOR CO., LTD.

FIG. 3

S	KEY NO.	PART NO.	PART NAME	QTY	SALES UNIT	MODEL	ICA
PISTON & CRANKSHAFT (1.6L)							
	1	17010-14611	SET=PISTON, WITH PISTON PIN (STANDARD SIZE)	4	40	1.6L	
	2	17010-14613	SET=PISTON, WITH PISTON PIN (0.25MM OVER SIZE)	4	40	1.6L	
	3	17010-14614	SET=PISTON, WITH PISTON PIN (0.50MM OVER SIZE)	4	40	1.6L	
	4	17010-14615	SET=PISTON, WITH PISTON PIN (0.75MM OVER SIZE)	4	40	1.6L	
	5	17010-14616	SET=PISTON, WITH PISTON PIN (1.00MM OVER SIZE)	4	4	1.6L	
	6	17010-14618	SET=PISTON, WITH PISTON PIN (1.50MM OVER SIZE)	4	40	1.6L	
	7	00922-22200	RING-SNAP, PISTON PIN	4	50	1.6L	
	8	17033-14600	SET=RING, PISTON (STANDARD SIZE)	1	1	1.6L	
	9	17033-14601	SET=RING, PISTON (STANDARD SIZE), RIK-VENT	1	1	1.6L	Y
	10	17033-20100	SET=RING, PISTON (STANDARD SIZE), FOR RACE	1	1	1.6L	
	11	17035-14600	SET=RING, PISTON (0.25MM OVER SIZE)	1	1	1.6L	
	12	17035-14601	SET=RING, PISTON (0.25MM OVER SIZE), RIK-VENT	1	1	1.6L	
	13	17036-14600	SET=RING, PISTON (0.50MM OVER SIZE)	1	1	1.6L	
	14	17036-14601	SET=RING, PISTON (0.50MM OVER SIZE), RIK-VENT	1	1	1.6L	Y

FIG. 3 E12 NISSAN MOTOR CO., LTD.

S	KEY NO.	PART NO.	PART NAME	QTY	SALES UNIT	MODEL	ICA
	15	12037-14600	SET-RING,PISTON(0.75M/M OVER SIZE)	1	1	1.6L	
	16	12037-14601	SET-RING,PISTON(0.75M/M OVER SIZE),RIK-VENT	1	1	1.6L	Y
	17	12038-14600	SET-RING,PISTON(1.00M/M OVER SIZE)	1	1	1.6L	
	18	12038-14601	SET-RING,PISTON(1.00M/M OVER SIZE),RIK-VENT	1	1	1.6L	Y
	19	12039-14600	SET-RING,PISTON(1.25M/M OVER SIZE)	1	1	1.6L	
	20	12040-14600	SET-RING,PISTON(1.50M/M OVER SIZE)	1	1	1.6L	
	21	12040-14601	SET-RING,PISTON(1.50M/M OVER SIZE),RIK-VENT	1	1	1.6L	Y
	22	12100-14650	ASSY-ROD,CONNECTING	4	1	1.6L	
	23	12100-01100	ASSY-ROD,CONNECTING	4	1	1.6L	Y
	24	12030-32200	BUSHING-CONNECTING ROD SMALL END	4	0	1.6L	
	25	12109-32200	ROD-CONNECTING ROD	0	10	1.6L	
	26	12109-14600	ROD-CONNECTING ROD	0	10	1.6L	Y
	27	12109-E0700	ROD-CONNECTING ROD	0	10	1.6L	Y
	28	12109-E0701	ROD-CONNECTING ROD (TOKAISEITAI)	0	10	1.6L	Y
	29	12109-E0711	ROD-CONNECTING ROD (TOKYDRAS)	0	10	1.6L	
	30	00011-24610	NUT	0	50	1.6L	
	31	12112-50000	NUT-PAL	0	50	1.6L	
	32	12111-12210	BUSHING-CONNECTING ROD (STANDARD SIZE F770)	0	4	1.6L	
	33	12123-12210	BUSHING-CONNECTING ROD (0.02M/M UNDER SIZE F770)	0	10	1.6L	

NISSAN MOTOR CO., LTD.

FIG. 3

S	KEY NO.	PART NO.	PART NAME	QTY	SALES UNIT	MODEL	ICA
	34	12121-12210	BUSHING-CONNECTING ROD (0.08M/M UNDER SIZE F770)	0	4	1.6L	
	35	12122-12210	BUSHING-CONNECTING ROD (0.12M/M UNDER SIZE F770)	0	4	1.6L	
	36	12117-12210	BUSHING-CONNECTING ROD (0.25M/M UNDER SIZE F770)	0	10	1.6L	
	37	12118-12210	BUSHING-CONNECTING ROD (0.50M/M UNDER SIZE F770)	0	4	1.6L	
	38	12119-12210	BUSHING-CONNECTING ROD (0.75M/M UNDER SIZE F770)	0	4	1.6L	
	39	12170-12210	BUSHING-CONNECTING ROD (1.00M/M UNDER SIZE F770)	0	4	1.6L	
	40	12200-14600	CAMP-SHAFT,CRANK (TO E/S R-40000)	1	1	1.6L	
	41	12200-74500	CAMP-SHAFT,CRANK (TO E/S R-40000)	1	1	1.6L	Y
	42	12200-74711	CAMP-SHAFT,CRANK (FROM E/S R-40001)	1	1	1.6L	N
	43	12200-74710	CAMP-SHAFT,CRANK (FROM E/S R-40001)	1	1	1.6L	Y
	44	12200-A7410	CAMP-SHAFT,CRANK	1	1	1.6L	Y
	45	00031-20610	PLUG-OIL GALLERY	4	10	1.6L	
	46	32202-30000	BUSHING-1ST MOTION SHAFT (NOT USED FROM E/S R-40001)	1	10	1.6L	
	47	32202-09500	BUSHING-NEEDLE PILOT,	1	1	1.6L	
	48	12207-12201	SET-BUSHING,CRANK SHAFT (STANDARD SIZE F770,3 BEARINGS)	1	1	1.6L	

FIG. 3 E13 NISSAN MOTOR CO., LTD.

S	KEY NO.	PART NO.	PART NAME	QTY	SALES UNIT	MODEL	ICA
	49	17207-73600	SET-BUSHING, CRANK SHAFT (STANDARD SIZE) F590,3 BEARINGS	1	1	1.6L	Y
	50	17207-78400	SET-BUSHING, CRANK SHAFT (STANDARD SIZE) F770,5 BEARINGS (FROM E/P R-40001)	1	1	1.6L	N
	51	17208-71200	SET-BEARING, CRANK SHAFT F500 U/S 0,02 MM, 3-BEARING	1	1	1.6L	Y
	52	17208-12201	SET-BEARING, CRANK SHAFT F500 U/S 0,02 MM, 3-BEARING	1	1	1.6L	Y
	53	17208-78400	SET-BUSH F770 U/S 0,02 MM 5-BEARING (FROM E/P R-40001)	1	1	1.6L	N
	54	17248-71200	BUSHING-MAIN BEARING F500	2	2	1.6L	Y
	55	17209-73600	SET-BUSHING, CRANK SHAFT F770 U/S 0,25 MM, 3-BEARING	1	1	1.6L	Y
	56	17209-12201	SET-BUSH, CRANK SHAFT F500 U/S 0,25 MM, 3-BEARING	1	1	1.6L	Y
	57	17209-78400	SET-BUSHING, CRANK SHAFT (10,75MM UNDER SIZE) F770,5 BEARINGS (FROM E/P R-40001)	1	1	1.6L	N
	58	17210-12201	SET-BEARING, CRANK SHAFT (10,90MM UNDER SIZE) F590,3 BEARINGS	1	1	1.6L	Y
	59	17210-73600	SET-BEARING, CRANK SHAFT (10,90MM UNDER SIZE) F770,5 BEARINGS	1	1	1.6L	Y
	60	17210-12201	SET-BEARING, CRANK SHAFT (10,90MM UNDER SIZE) F770,5 BEARINGS	1	1	1.6L	Y

REVISED: SEPTEMBER, 1971

3 - 4

Printed in Japan

NISSAN MOTOR CO., LTD.

FIG. 3

S	KEY NO.	PART NO.	PART NAME	QTY	SALES UNIT	MODEL	ICA
	61	17210-78400	SET-BEARING, CRANK SHAFT (10,90MM UNDER SIZE) F770,5 BEARINGS (FROM E/P R-40001)	1	1	1.6L	N
	62	17211-12201	SET-BEARING, CRANK SHAFT (10,75MM UNDER SIZE) F590,3 BEARINGS	1	1	1.6L	Y
	63	17211-73600	SET-BEARING, CRANK SHAFT (10,75MM UNDER SIZE) F770,5 BEARINGS	1	1	1.6L	Y
	64	17211-12201	SET-BEARING, CRANK SHAFT (10,75MM UNDER SIZE) F770,5 BEARINGS	1	1	1.6L	Y
	65	17211-78400	SET-BEARING, CRANK SHAFT (10,75MM UNDER SIZE) F770,5 BEARINGS (FROM E/P R-40001)	1	1	1.6L	N
	66	17212-12201	SET-BUSHING, CRANK SHAFT (11,00MM UNDER SIZE) F590,3 BEARINGS	1	1	1.6L	Y
	67	17212-73600	SET-BUSHING, CRANK SHAFT (11,00MM UNDER SIZE) F770,5 BEARINGS	1	1	1.6L	Y
	68	17212-78400	SET-BUSHING, CRANK SHAFT (11,00MM UNDER SIZE) F770,5 BEARINGS (FROM E/P R-40001)	1	1	1.6L	N
	69	07026-51600	KEY-WOODRUFF	2	10	1.6L	Y
	70	17021-32200	GEAR-CRANK	2	1	1.6L	Y
	71	17299-32200	SHIM-CRANK GEAR	AR	50	1.6L	Y
	72	17302-32200	OIL TYPHOWER-CRANK SHAFT	1	50	1.6L	Y
	73	17303-32200	PULLEY-CRANK SHAFT	1	1	1.6L	Y
	74	17303-14700	PULLEY-CRANK 1300MM	1	1	SPLU	Y
	75	17308-32200	WASHER-LOCK, STARTING MOUNT	1	10	1.6L	Y

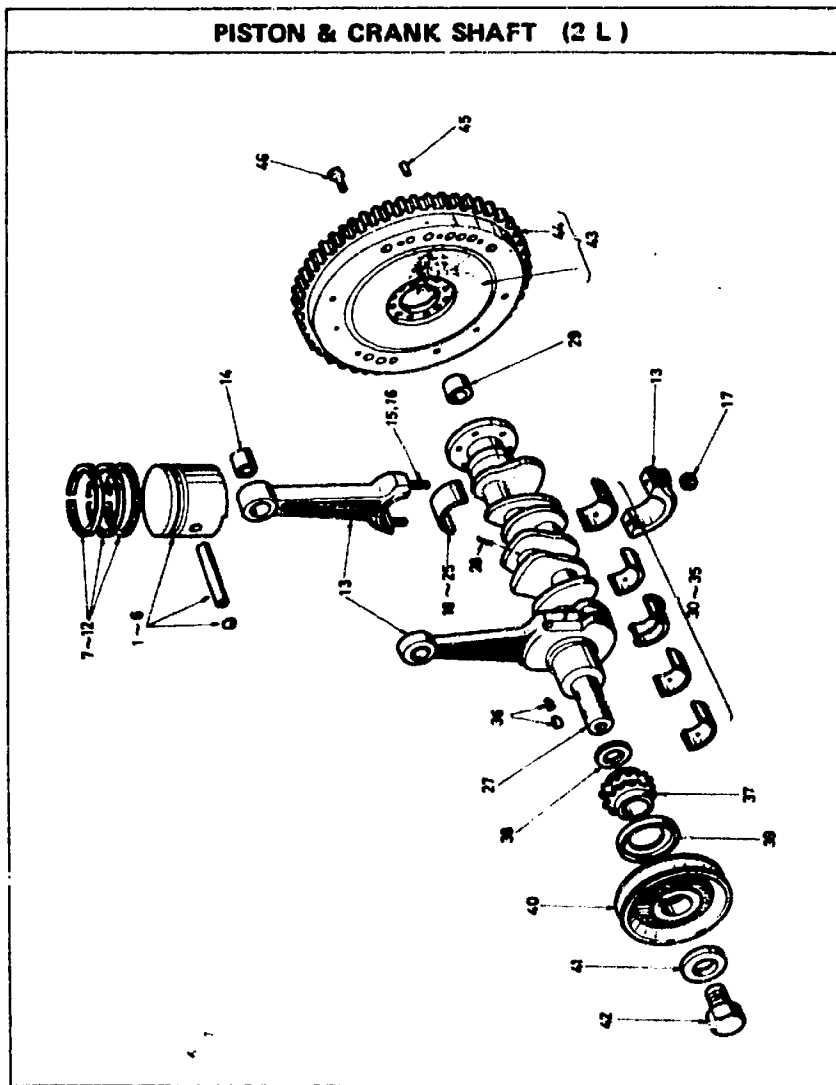
REVISED: SEPTEMBER, 1971

3 - 5

Printed in Japan

FIG. 3 E14 NISSAN MOTOR CO., LTD.

S	KEY NO.	PART NO.	PART NAME	QTY	SALES UNIT	MODEL	ICA
	76	17308-65000	WASHER-LOCK, STARTING NUT	1	5	1.6L	C
	77	17309-12200	NUT-STARTING FOR CRANK HANDLE	1	2	1.6L	
	78	17309-12200	NUT-STARTING NOT FOR CRANK HANDLE	1	2	1.6L	C
	79	17310-14600	CAMP, -FLY WHEEL	1	1	1.6L	
	80	17310-18810	CAMP, -FLY WHEEL (FROM E / S N=00001)	1	1	1.6L	N
	81	17312-61000	CLAMP-RING, FLY WHEEL	1	1	1.6L	
	82	17313-10600	SCREW-CLUTCH TO FLY WHEEL	2	10	1.6L	
	83	00134-62510	BOLT	6	50	1.6L	
	84	17314-30000	PLATE-LOCK, FLY WHEEL BOLT	3	50	1.6L	



S	KEY NO.	PART NO.	PART NAME	QTY	SALES UNIT	MODEL	ICA
PISTON & CRANKSHAFT (2L)							
	1	17010-25511	SET-PISTON W/PIN STD	4	4 2L		
	2	17010-25512	SET-PISTON W/PIN O/S 0.25	4	4 2L		
	3	17010-25513	SET-PISTON W/PIN O/S 0.50	4	4 2L		
	4	17010-25514	SET-PISTON W/PIN O/S 0.75	4	4 2L		
	5	17010-25515	SET-PISTON W/PIN O/S 1.00	4	4 2L		
	6	17010-25517	SET-PISTON W/PIN O/S 1.50	4	4 2L		
	7	17033-25502	SET-RING STD	2	2 2L		
	8	17035-25501	SET-RING O/S 0.75	2	2 2L		
	9	17036-25501	SET-RING O/S 0.90	2	2 2L		
	10	17037-25501	SET-RING O/S 0.75	2	2 2L		
	11	17038-25501	SET-RING O/S 1.00	2	2 2L		
	12	17040-25501	SET-RING O/S 1.50	2	2 2L		
	13	17100-25500	ASSY-ROD,CONNECTING	4	1 2L		
	14	17030-32200	ROD-SMALL END	4	0 2L		
	15	17109-25500	ROD-CONNECTING ROD (10,ST)	4	10 2L		
	16	17109-47400	ROD-CONNECTING ROD (12T)	4	10 2L		Y
	17	17113-25500	ROD-CONNECTING ROD	4	10 2L		
	18	17111-12210	BUSHING-CONNECTING ROD (STANDARD)F770	4	4 2L		

FIG. 3 A E16 NISSAN MOTOR CO., LTD.

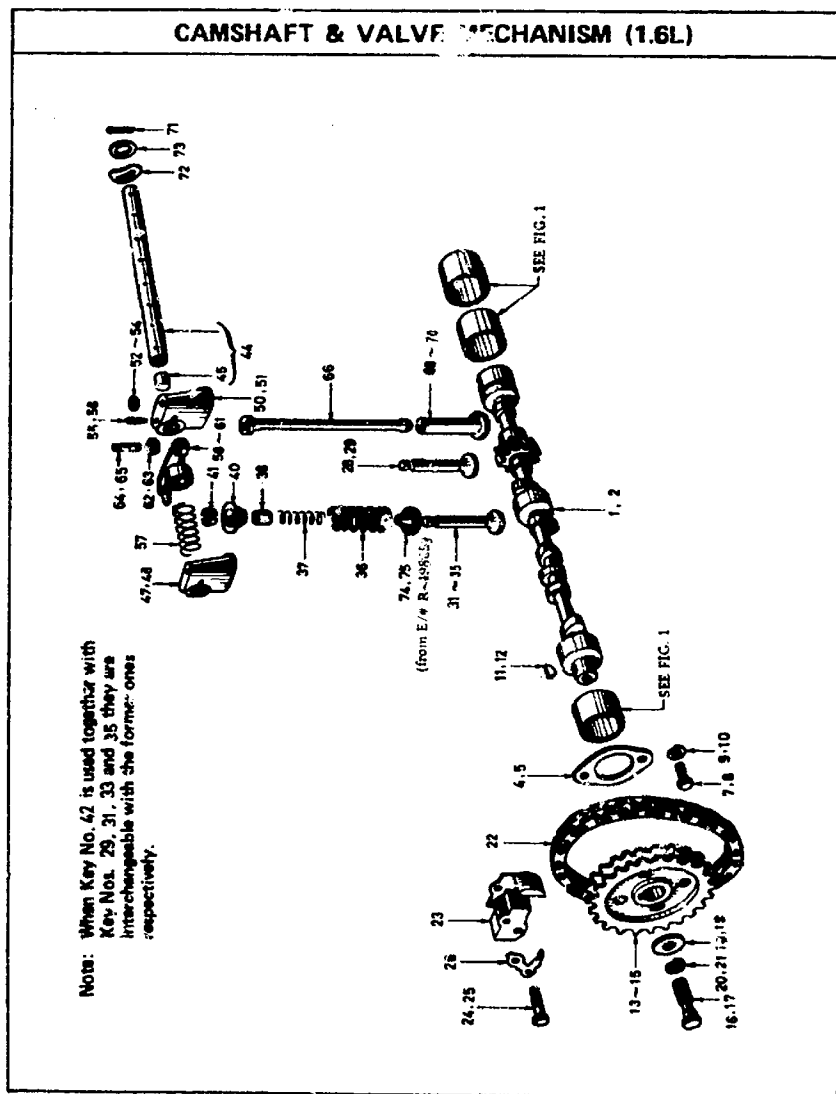
S KEY NO.	PART NO.	PART NAME	QTY	SALES UNIT	MODEL	ICA
19	17111-25510	PUSHING-CONNECTING ROD (STANDARD) F770	8	4	OP, 2L	
20	17121-12210	PUSHING CONNECTING ROD (0,08 UNDER SIZE) F770	8	4	2L	
21	17122-12210	PUSHING CONNECTING ROD (0,12 UNDER SIZE) F770	8	4	2L	
22	17117-12210	PUSHING CONNECTING ROD (0,25 UNDER SIZE) F770	8	10	2L	
23	17118-12210	PUSHING CONNECTING ROD (0,30 UNDER SIZE) F770	8	4	2L	
24	17119-12210	PUSHING CONNECTING ROD (0,75 UNDER SIZE) F770	8	4	2L	
25	17120-12210	PUSHING CONNECTING ROD (1,00 UNDER SIZE) F770	8	4	2L	
26	17200-25500	ASSY-SHAFT, CRANK	1	1	2L	
27	17200-47400	ASSY-SHAFT, CRANK	1	1	2L	Y
28	00921-20610	PLUG-OIL GALLERY	4	10	2L	
29	37292-38900	BUSH-PILOT BEARING	1	10	2L	
30	17207-78400	SLT-BUSHING, CRANK SHAFT (STANDARD) F770	1	1	2L	
31	17207-25510	SLT-BUSHING, CRANK SHAFT (STANDARD) F770	1	1	OP 2L	
32	17209-78400	SLT BUSHING CRANK SHAFT (0,25 UNDER SIZE) F770	1	1	2L	
33	17210-78400	SLT BUSHING CRANK SHAFT (0,51 UNDER SIZE) F770	1	1	2L	
34	17211-78400	SLT BUSHING CRANK SHAFT (0,75 UNDER SIZE) F770	1	1	2L	
35	17212-78400	SLT BUSHING CRANK SHAFT (1,00 UNDER SIZE) F770	1	1	2L	

NISSAN MOTOR CO., LTD.

FIG. 3 B

S KEY NO.	PART NO.	PART NAME	QTY	SALES UNIT	MODEL	ICA
36	00926-51600	KEY-MOODRUFF 5 x 10	2	10	2L	
37	17021-20100	GEAR-CRANK	2	1	2L	
38	17299-32200	SHIM-CRANK BEAR	AM	50	2L	
39	17302-20100	THRUSTER-OIL CRANK	1	1	2L	
40	17303-25500	ASSY-PULLEY WITH DAMPER	1	1	2L	
41	17308-65000	WASHER-CRANK PULLEY	1	5	2L	
42	17309-66600	BELT-PULLEY	1	2	2L	
43	17319-25500	ASSY-FLY WHEEL	1	1	2L	
44	17312-61600	GEAR-RING, FLY WHEEL	1	1	2L	
45	17313-10600	MODEL-FLY WHEEL TO CLUTCH	3	10	2L	
46	17319-25500	BOLT-SOCKET HEAD	12	10	2L	

FIG. 4 F1 NISSAN MOTOR CO., LTD.



NISSAN MOTOR CO., LTD.

FIG. 4

S	KEY NO.	PART NO.	PART NAME	QTY	SALES UNIT	MODEL	ICA
CAMSHAFT & VALVE MECHANISM (1.6L)							
	1	13001-12000	CAM SHAFT	1	1	1.6L	
	2	13001-18810	CAM SHAFT(FROM E/F R-40001)	1	1	1.6L	F
	3	13010-32200	PLATE-LOCATING,CAM SHAFT	1	10	1.6L	
	4	13010-76200	PLATE-LOCATING,CAM SHAFT	1	5	1.6L	Y
	5	13010-76201	PLATE-LOCATING CAM SHAFT	1	5	1.6L	Y
	6	13010-76206	PLATE-LOCATING,CAM SHAFT(FROM F/F R-40001)	1	5	1.6L	N
	7	00111-41800	SCREW-SET	2	50	1.6L	
	8	00120-61810	SCREW-SET(FROM E/F R-40001)	2		1.6L	N
	9	00915-11410	WASHER-LOCK	2	50	1.6L	
	10	00915-13610	WASHER-LOCK(FROM E/F R-40001)	2	50	1.6L	N
	11	13032-30000	KEY-CAM SHAFT	1	10	1.6L	
	12	00926-41610	KEY-CAM SHAFT (FROM E/F R-40001)	1	50	1.6L	N
	13	13024-32200	GEAR-CAM SHAFT	1	1	1.6L	
	14	13024-73600	GEAR-CAM SHAFT	1	1	1.6L	N
	15	13024-78200	GEAR-CAM SHAFT(FROM E/F R-40001)	1	1	1.6L	N
	16	13082-08000	BOLT-CAM SHAFT GEAR	1	10	1.6L	
	17	13012-78206	BOLT-CAM SHAFT GEAR(FROM E/F R-40001)	1	5	1.6L	N
	18	13030-08000	WASHER-CAM SHAFT GEAR	1	50	1.6L	

FIG. 4 F2 NISSAN MOTOR CO., LTD.

S	KEY NO.	PART NO.	PART NAME	QTY	SALES UNIT	MODEL	ICA
	17	17013-78200	WASHER-CAM SHAFT SEAC (FROM E/S R-40001)	1	10	1.6L	N
	20	07915-11610	WASHER-LOCK	1	50	1.6L	
	21	07915-14010	WASHER-LOCK (FROM E/S R-40001)	1	50	1.6L	N
	22	17028-32200	CHAIN-CAM SHAFT	1	1	1.6L	
	23	17070-32200	ASSY-TENSIONER, CHAIN	1	1	1.6L	
	24	00111-43000	SET-SCREW, CHAIN TENSIONER	2	50	1.6L	
	25	09120-63010	SET-SCREW, CHAIN TENSIONER (FROM E/S R-40001)	2	50	1.6L	N
	26	17078-32200	WASHER-LOCK	1	50	1.6L	
	27	17201-12900	VALVE-INTAKE STD (TO E/S R-40004)	4	4	1.6L	
	28	17201-14601	VALVE-INTAKE STD (FROM E/S R-40005)	4	4	1.6L	C
	29	17201-66700	VALVE-INTAKE STD	4	4	1.6L	Y
	30	17202-12200	VALVE-EXHAUST (STANDARD SIZE)	4	4	1.6L	
	31	17202-66700	VALVE-EXHAUST (STANDARD SIZE)	4	4	1.6L	C
	32	17202-12201	VALVE-EXHAUST (0.2M/M OVER SIZE)	4	4	1.6L	
	33	17202-66701	VALVE-EXHAUST (0.2M/M OVER SIZE)	4	4	1.6L	C
	34	17202-12202	VALVE-EXHAUST (0.4M/M OVER SIZE)	4	4	1.6L	
	35	17202-66702	VALVE-EXHAUST (0.4M/M OVER SIZE)	4	4	1.6L	C
	36	17203-32200	SPRING-VALVE, OUTER	1	10	1.6L	
	37	17204-03100	SPRING-VALVE, INNER	1	10	1.6L	
	38	17207-12200	RING-RUBBER, VALVE	1	20	1.6L	

NISSAN MOTOR CO., LTD.

FIG. 4

S	KEY NO.	PART NO.	PART NAME	QTY	SALES UNIT	MODEL	ICA
	39	17209-12900	RETAINER-VALVE SPRING	1	5	1.6L	
	40	17209-78200	RETAINER-VALVE SPRING	1	10	1.6L	Y
	41	17210-12200	COLLET-VALVE	16	10	1.6L	
	42	17205-14600	SEAT-VALVE, SPRING, OUTER	1	10	1.6L	
	43	17206-14600	SEAT-VALVE, SPRING, INNER	1	10	1.6L	
	44	17252-12200	ASSY-SHAFT, ROCKER	1	1	1.6L	
	45	17254-58000	PLUG-EXPANSION, ROCKER SHAFT	2	50	1.6L	
	46	17222-12200	BRACKET-ROCKER SHAFT (TO E/S R-40000)	3	1	1.6L	
	47	17222-36700	BRACKET-ROCKER SHAFT (TO E/S R-40000)	3	1	1.6L	Y
	48	17222-18010	BRACKET-ROCKER SHAFT (FROM E/S R-40001)	3	10	1.6L	N
	49	17223-12200	BRACKET-ROCKER SHAFT (TAPPED)	1	1	1.6L	
	50	17223-12201	BRACKET-ROCKER SHAFT (TAPPED) (TO E/S R-40000)	1	1	1.6L	Y
	51	17223-18010	BRACKET-ROCKER SHAFT (TAPPED) (FROM E/S R-40001)	1	1	1.6L	N
	52	00911-24710	NUT-ROCKER BRACKET (TO E/S R-40000)	4	50	1.6L	
	53	00911-24010	NUT-ROCKER BRACKET (FROM E/S R-40001)	4	50	1.6L	N
	54	21107-E4200	NUT-ROCKER BRACKET	4	10	1.6L	Y
	55	17224-58000	SCREW-SET, ROCKER SHAFT (TO E/S R-40000)	1	20	1.6L	
	56	17224-78200	SCREW-SET, ROCKER SHAFT (FROM E/S R-40001)	1	10	1.6L	N

FIG. 4 F3 NISSAN MOTOR CO., LTD.

S	KEY NO.	PART NO.	PART NAME	QTY	SALES UNIT	MODEL	ICA
	57	13256-58000	SPRING-INSIDE, VALVE ROCKER	3	20	1.6L	
	58	13258-12200	ROCKER-VALVE (R.H.) (FROM E/# R-40000)	4	5	1.6L	
	59	13258-78200	ROCKER-VALVE (R.H.) (FROM E/# R-40001)	4	2	1.6L	N
	60	13259-12200	ROCKER-VALVE (L.H.) (FROM E/# R-40000)	4	2	1.6L	
	61	13259-78200	ROCKER-VALVE (L.H.) (FROM E/# R-40001)	4	2	1.6L	N
	62	13280-58000	NUT-VALVE ROCKER (TO E/# R-40001)	8	10	1.6L	
	63	13235-78200	NUT-VALVE ROCKER (FROM E/# R-40001)	8	50	1.6L	N
	64	13287-58000	SCREW-ADJUST, VALVE ROCKER (TO E/# R-40000)	8	10	1.6L	
	65	13234-78200	SCREW-ADJUST, VALVE ROCKER (FROM E/# R-40001)	8	10	1.6L	N
	66	13238-12200	RUD-PUSH	8	10	1.6L	
	67	13231-12900	LIFTER-VALVE	8	8	1.6L	
	68	13231-12901	LIFTER-VALVE	8	8	1.6L	Y
	69	13231-32200	LIFTER-VALVE	8	10	1.6L	Y
	70	13231-78200	LIFTER-VALVE	8	4	1.6L	Y
	71	00921-22510	PIN-SPLIT, VALVE ROCKER SHAFT	2	50	1.6L	
	72	13255-58000	SPRING-OUTSIDE, VALVE ROCKER	2	50	1.6L	
	73	13289-58000	WASHER-ROCKER SHAFT	2	50	1.6L	
	74	13287-12910	SEAL-LIP, VALVE (TO E/# R-40000)	8	5	1.6L	
	75	13207-66700	SEAL-LIP, VALVE (NDK) (FROM E/# R-49605)	8	5	1.6L	N

NISSAN MOTOR CO., LTD.

FIG. 4

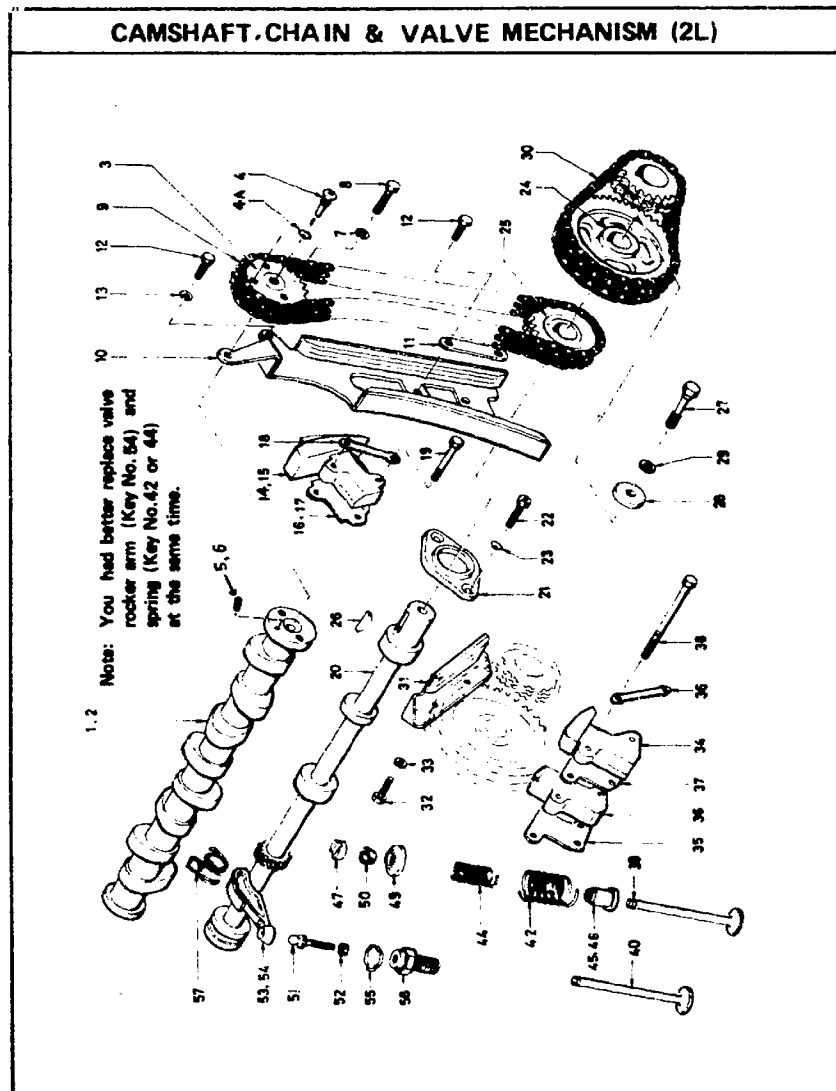
S	KEY NO.	PART NO.	PART NAME	QTY	SALES UNIT	MODEL	ICA
	76	13207-66710	SEAL-LIP, VALVE (NDK) (FROM E/# R-49605)	8	5	1.6L	

FIG. 4A F4

NISSAN MOTOR CO., LTD.

NISSAN MOTOR CO., LTD.

FIG. 4A



S	KEY NO.	PART NO.	PART NAME	QTY	SALES UNIT	MODEL	ICA
CAMSHAFT, CHAIN & VALVE MECHANISM (2L)							
	1	17001-25500	CAM SHAFT FOR SOLEX CARBURETOR	1	1 2L		
	2	17001-25600	CAM SHAFT FOR SU CARBURETOR	1	1 2L		
	3	17024-25500	GEAR-CAM SHAFT	1	1 2L		
	4	15029-25500	SCREW-CAM SHAFT GEAR	1	10 2L		
	5	08916-43610	WASHER-TOOTH LOCK	1	50 2L		
	6	07033-20000	PLUG-BLIND, CAM GEAR	1	10 2L		Y
	7	07013-13010	WASHER-SPRING	2	90 2L		
	8	07110-02210	BOLT NO X 1.25	2	90 2L		
	9	17020-25500	CHAIN-CAM SHAFT, 90 LINK	1	1 2L		
	10	17000-25500	GUIDE-CHAIN UPPER	2	1 2L		
	11	13003-25500	PLATE-LOCK	2	10 2L		
	12	07110-01410	BOLT NO X 1.0	3	50 2L		
	13	07013-13010	WASHER-SPRING NO	1	90 2L		
	14	17000-25500	ASSY-TENSIONER, CHAIN, UPPER	1	1 2L		
	15	17000-25500	ASSY-TENSIONER, CHAIN, UPPER	1	1 2L		Y
	16	13002-25500	GASKET-CHAIN TENSIONER	1	50 2L		
	17	17002-25500	GASKET-CHAIN TENSIONER (FROM JULY-69)	1	10 2L		N
	18	17003-25500	PLATE-LOCK	1	10 2L		
	19	07110-01010	BOLT NO X 1.0	2	90 2L		
	20	17030-25500	JACK SHAFT	1	1 2L		

FIG. 4 A F5 NISSAN MOTOR CO., LTD.

S KEY NO.	PART NO.	PART NAME	QTY	SALES UNIT	MODEL	ICA
21	13031-25500	PLATE-JACK SHAFT LOCATING	1	9 ZL		
27	09320-61012	SCREW M6 X 1.0	2	50 ZL		
23	09016-43610	WASHER-TOOTHED M6	2	50 ZL		
24	13035-25500	GEAR-JACK SHAFT, FRONT	1	1 ZL		
25	13036-25500	GEAR-JACK SHAFT, REAR	1	1 ZL		
26	09026-41010	KEY-WOODRUFF	2	10 ZL		
27	13012-70200	PLY-JACK SHAFT GEAR	1	9 ZL		
28	13013-25500	WASHER-JACK SHAFT GEAR 14.9	1	2L		
29	09015-14010	WASHER-SPRING M10	1	50 ZL		
30	13020-73000	CHAIN-JACK SHAFT 54 LINKS	1	1 ZL		
31	13060-25500	GUIDE-CHAIN, LOWER 13.2	1	1 ZL		
37	09110-61410	PLY M6 X 1.0	2	50 ZL		
33	09015-13610	WASHER-SPRING M6	2	50 ZL		
34	13070-25500	ASBY-TENSIONER, CHAIN, LOWER	1	1 ZL		
34	13070-32200	GASKET-CHAIN TENSIONER (FIBER)	2	90 ZL		
36	13005-20100	SPACER-CHAIN TENSIONER	1	1 ZL		
37	13070-32200	WASHER-LOCK	1	50 ZL		
38	13074-25500	PLY M6 X 1.0	2	1 ZL		
39	13201-25500	VALVE-INTAKE	4	4 ZL		
40	13202-25500	VALVE-EXHAUST	4	4 ZL		
41	13203-25501	SPRING-VALVE OUTER	8	5 ZL		
47	13203-25502	SPRING-VALVE OUTER	7	10 ZL		Y
43	13204-25501	SPRING-VALVE, INNER	8	10 ZL		

1-A-2

Printed in Japan

REVISED: SEPTEMBER, 1971

NISSAN MOTOR CO., LTD.

FIG. 4 A

S KEY NO.	PART NO.	PART NAME	QTY	SALES UNIT	MODEL	ICA
44	13204-25502	SPRING-VALVE, INNER	8	10 ZL		Y
45	13207-66700	SEAL-LIP, VALVE OIL	8	5 ZL		
46	13207-66710	SEAL-LIP, VALVE OIL (MFK)	8	5 ZL		
47	13208-20100	GUIDE-ROCKER	8	10 ZL		
48	13209-20100	RETAINER-VALVE SPRING	8	5 ZL		
49	13209-25500	RETAINER-VALVE SPRING	8	5 ZL		Y
50	13210-12200	CULLET-VALVE	16	10 ZL		
51	13234-25500	PIVOT-ROCKER	8	10 ZL		
52	13235-25500	NUT-LOCK PIVOT	8	10 ZL		
53	13290-25500	ARM-VALVE PUCKER	8	5 ZL		
54	13257-25501	ARM-VALVE ROCKER	8	5 ZL		Y
55	13255-25500	RETAINER-ROCKER SPRING	8	10 ZL		
56	13256-25500	SPRING-ROCKER	8	10 ZL		
57	13256-25501	SPRING-ROCKER	8	5 ZL		Y
58	13215-25500	BUSH-PIVOT	8	5 ZL		

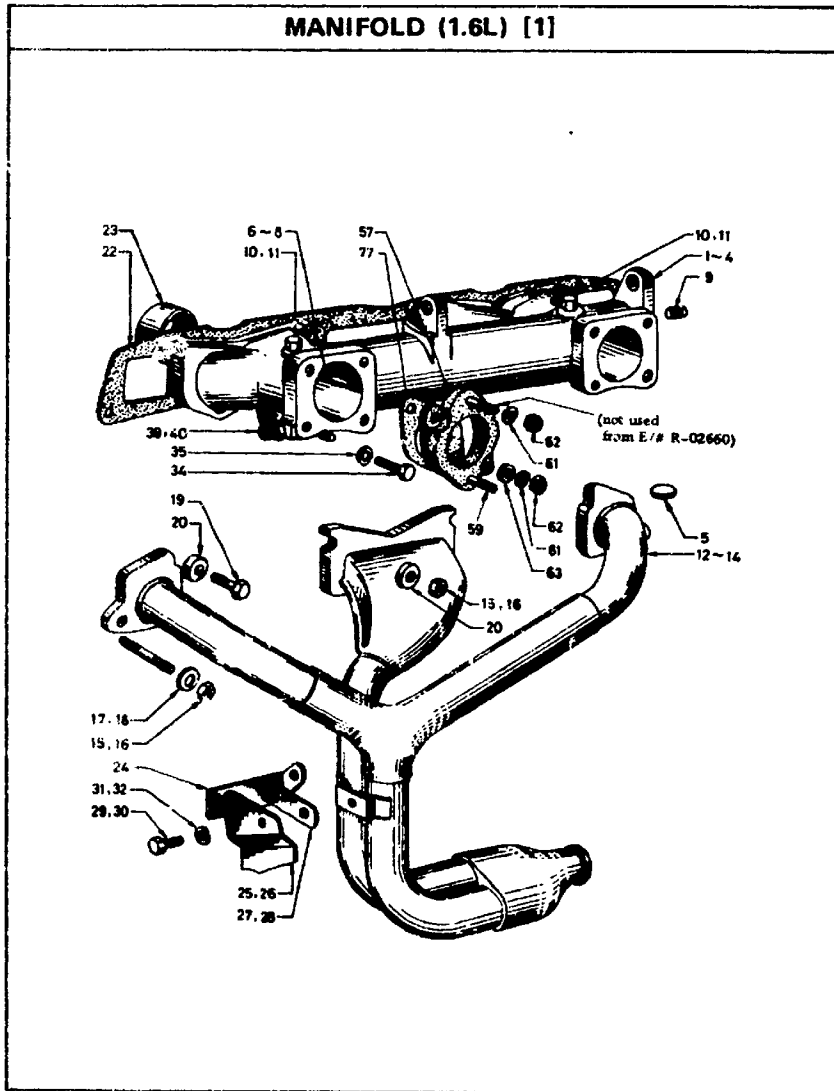
1-A-3

Printed in Japan

REVISED: SEPTEMBER, 1971

FIG. 5-1 F6

NISSAN MOTOR CO., LTD.



NISSAN MOTOR CO., LTD.

FIG. 5-2

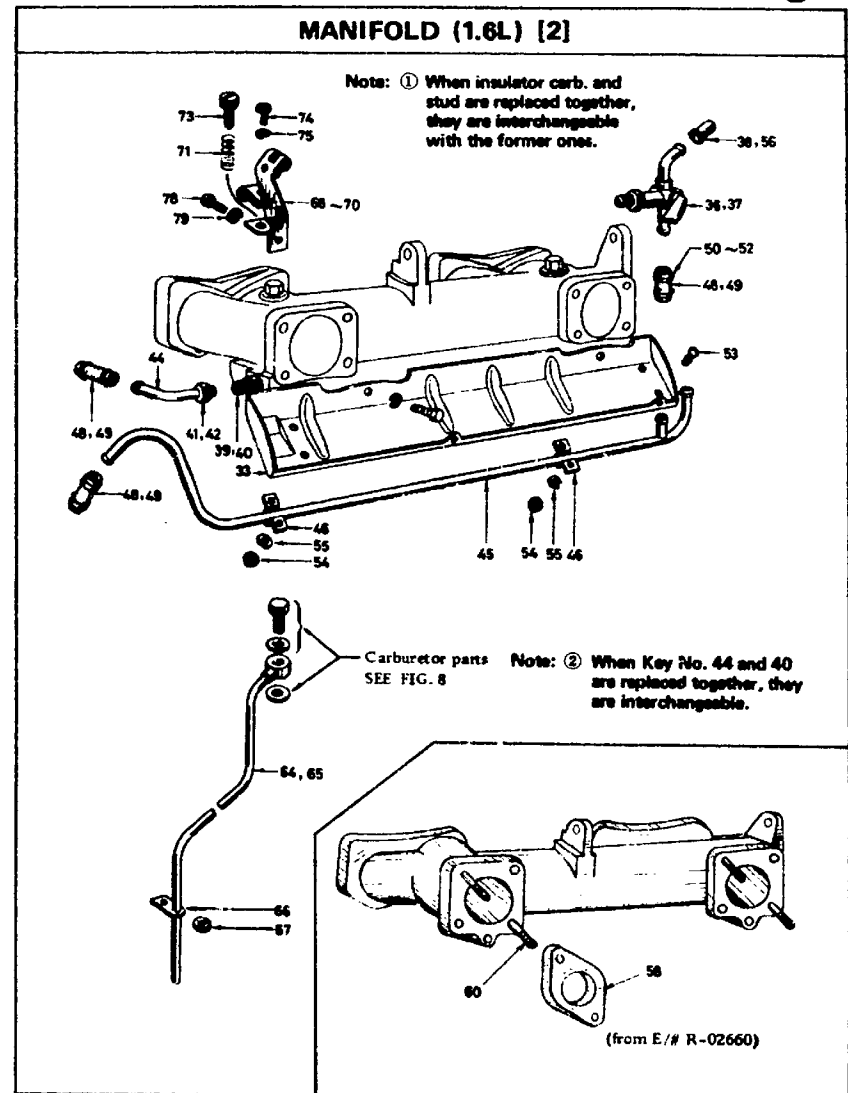


FIG. 5 F7 NISSAN MOTOR CO., LTD.

S	KEY NO.	PART NO.	PART NAME	QTY	SALES UNIT	MODEL	ICA
			MANIFOLD (1.6L)				
	1	14002-14600	MANIFOLD-INTAKE	1	1.6L		
	7	14002-14601	MANIFOLD-INTAKE (FROM E/P R-40001)	1	1.6L		N
	3	14002-14725	MANIFOLD-INTAKE (FROM OCT-67)	1	SPLU		
	4	14003-A7700	MANIFOLD-INTAKE (FROM JULY-69)	1	1.6L EMISSION CONTROL		N
	5	00033-12500	PLUG-WELCH(25)	3	10 1.6L		
	6	02214-51610	STUD-CARBURETOR	4	50 1.6L		
	7	02214-54210	STUD-CARBURETOR	4	25 1.6L		N
	8	02273-84210	STUD-CARBURETOR (FROM E/P R-40001)	4	25 1.6L		N
	9	02931-20810	PLUG-TAPER THREAD	1	10 1.6L		
	10	02931-30210	PLUG,BALANCE TUBE	1	50 1.6L		
	11	02931-30210	PLUG,BALANCE TUBE (FROM E/P R-40001)	1	50 1.6L		N
	12	14060-12202	ASSY-MANIFOLD,EXHAUST	1	1.6L		
	13	14060-14601	ASSY-MANIFOLD,EXHAUST (FROM E/P R-40001 TO SEP-67)	1	1.6L		N
	14	14060-14604	MANIFOLD-EXHAUST (FROM OCT-67)	1	1.6L		N
	15	02911-14510	NUT-MANIFOLD TO CYLINDER HEAD	6	50 1.6L		
	16	02911-20610	NUT-MANIFOLD TO CYLINDER HEAD (FROM E/P R-40001)	6	50 1.6L		N

REVISED: SEPTEMBER, 1971

5 - 1

Printed in Japan

NISSAN MOTOR CO., LTD.

FIG. 5

S	KEY NO.	PART NO.	PART NAME	QTY	SALES UNIT	MODEL	ICA
	17	00915-41510	WASHER-MANIFOLD TO CYLINDER HEAD	4	50 1.6L		
	18	02915-43010	WASHER-MANIFOLD TO CYLINDER HEAD (FROM E/P R-40001)	4	50 1.6L		N
	19	00121-53500	SCREW	4	50 1.6L		
	20	14037-32200	YOKE-MANIFOLD	6	50 1.6L		
	21	14039-14600	GASKET-MANIFOLD TO CYLINDER HEAD	1	100 1.6L		
	22	14039-14601	GASKET-MANIFOLD TO CYLINDER HEAD	1	10 1.6L		Y
	23	14034-14600	COLLER-INTAKE MANIFOLD	2	10 1.6L		
	24	14065-12200	SUPPORT-EXHAUST MANIFOLD	1	1 1.6L		
	25	14041-12201	INSULATOR-EXHAUST MANIFOLD	1	1 1.6L		
	26	14041-25601	INSULATOR-EXHAUST MANIFOLD (FROM OCT-67)	1	1 SPLU		
	27	14066-12200	BAR-EXHAUST MANIFOLD	1	1 1.6L		
	28	14066-25601	BAR-EXHAUST MANIFOLD (FROM OCT-67)	1	5 SPLU		
	29	00114-51610	BOLT-SUPPORT TO INSULATOR	2	50 1.6L		
	30	02120-81610	BOLT-SUPPORT TO INSULATOR (FROM E/P R-40001)	2	50 1.6L		N
	31	00915-11410	WASHER-LOCK	2	50 1.6L		
	32	02915-13810	WASHER-LOCK (FROM E/P R-40001)	2	50 1.6L		N
	33	14330-14600 -14601	PLATE-HEAT SHIELD,CARBURETOR	1	1 1.6L		
	34	02111-51410	BOLT TO FLY WHEEL HEAT SHIELD PLATE	4	50 1.6L		

REVISED: SEPTEMBER, 1971

5 - 2

Printed in Japan

FIG. 5 F8 NISSAN MOTOR CO., LTD.

S	KEY NO.	PART NO.	PART NAME	QTY	SALES UNIT	MODEL	ICA
	35	00915-11510	WASHER-LOCK TO FIX WATER TUBE SHIELD PLATE	4	50	1.6L	
•	36	14050-12900	COCK-THREE WAY	1	1	1.6L	
	37	14050-14600	COCK-THREE WAY	1	1	1.6L	Y
	38	14038-14600	CAP-CONNECTOR	2	10	1.6L	
	39	00712-15200	CONNECTOR-MANIFOLD TO W/PUMP	1	10	1.6L	
	40	00712-15000	CONNECTOR-MANIFOLD TO W/PUMP(FROM E/S R-40001)	1	5	1.6L	C
	41	14052-12200	NUT-MANIFOLD TO CYLINDER HEAD	1	5	1.6L	
	42	14052-14600	NUT-MANIFOLD TO CYLINDER HEAD (FROM E/S R-40001)	1	10	1.6L	N
•	43	14053-12200	TUBE-MANIFOLD TO CYLINDER HEAD (INCH)	1	1	1.6L	
	44	14053-14600	TUBE-MANIFOLD TO CYLINDER HEAD (METRIC)	1	5	1.6L	C
	45	14054-14600	TUBE-MANIFOLD TO WATER PUMP	1	1	1.6L	
	46	14055-12200	CLAMP-WATER TUBE	2	5	1.6L	
•	47	14056-12200	HOSE-WATER	2	5	1.6L	
	48	14056-14600	HOSE-WATER	2	5	1.6L	Y
	49	14056-25600	HOSE-WATER TO PUMP (FROM OCT-67)	3	5	SPLU	
	50	00721-11900	CLAMP-HOSE	6	10	1.6L	
	51	00721-11900	CLAMP-HOSE(FROM E/S R-40001)	6	10	1.6L	N
	52	00723-12200	CLAMP-HOSE	6	10	1.6L	Y
	53	00314-00810	SCREW TO FIX WATER TUBE CLAMP	4	50	1.6L	

REVISED: SEPTEMBER, 1971

5 - 3

Printed in Japan

NISSAN MOTOR CO., LTD.

FIG. 5

S	KEY NO.	PART NO.	PART NAME	QTY	SALES UNIT	MODEL	ICA
	54	00915-14010	NUT TO FIX WATER TUBE CLAMP	4	50	1.6L	
	55	00915-11010	WASHER-LOCK TO FIX WATER TUBE CLAMP	4	50	1.6L	
	56	14058-14600	CAP-CONNECTOR	2	10	1.6L	
	57	14174-14600	INSULATOR-CARBURETOR	2	1	1.6L	
	58	14174-15000	INSULATOR-CARBURETOR(FROM E/S R-02660)	2	2	1.6L	C
	59	00214-51610	STUD	4	50	1.6L	
	60	00214-54510	STUD(FROM E/S R-02660)	4	25	1.6L	C
	61	00915-11510	WASHER-LOCK	6	50	1.6L	
	62	00911-14510	NUT	6	50	1.6L	
	63	00915-41510	WASHER-PLAIN	4	50	1.6L	
	64	14031-12201	ASSY-TUBE, OVER FLOW, CARBURETOR	2	5	1.6L	
	65	14032-17700	ASSY-TUBE, OVER FLOW, CARBURETOR	2	5	1.6L	EVAP
	66	14012-10400	BRACKET-DRAIN TUBE	2	2	1.6L	
	67	14055-30000	RUBBER-FERRULE	2	10	1.6L	
	68	14380-14600	ASSY-BRACKET, ACCELERATOR WIRE & TUBE	1	1	1.6L	
	69	14380-14602	ASSY-BRACKET, ACCELERATOR WIRE & TUBE (FROM E/S R-40001)	1	10	1.6L	N
	70	14380-14700	BRACKET-ACCELERATOR WIRE (FROM OCT-67)	1	1	SPLU	
	71	14378-14600	SPRING-ADJUST SCREW	1	10	1.6L	
•	72	14379-14600	SCREW-THRITTLE ADJUST	1		1.6L	
	73	14379-14601	SCREW-THRITTLE ADJUST (FROM E/S R-40001)	1	10	1.6L	Y
	74	00369-01210	SCREW	2	50	1.6L	

REVISED: SEPTEMBER, 1971

5 - 4

Printed in Japan

FIG. 5 F9 NISSAN MOTOR CO., LTD.

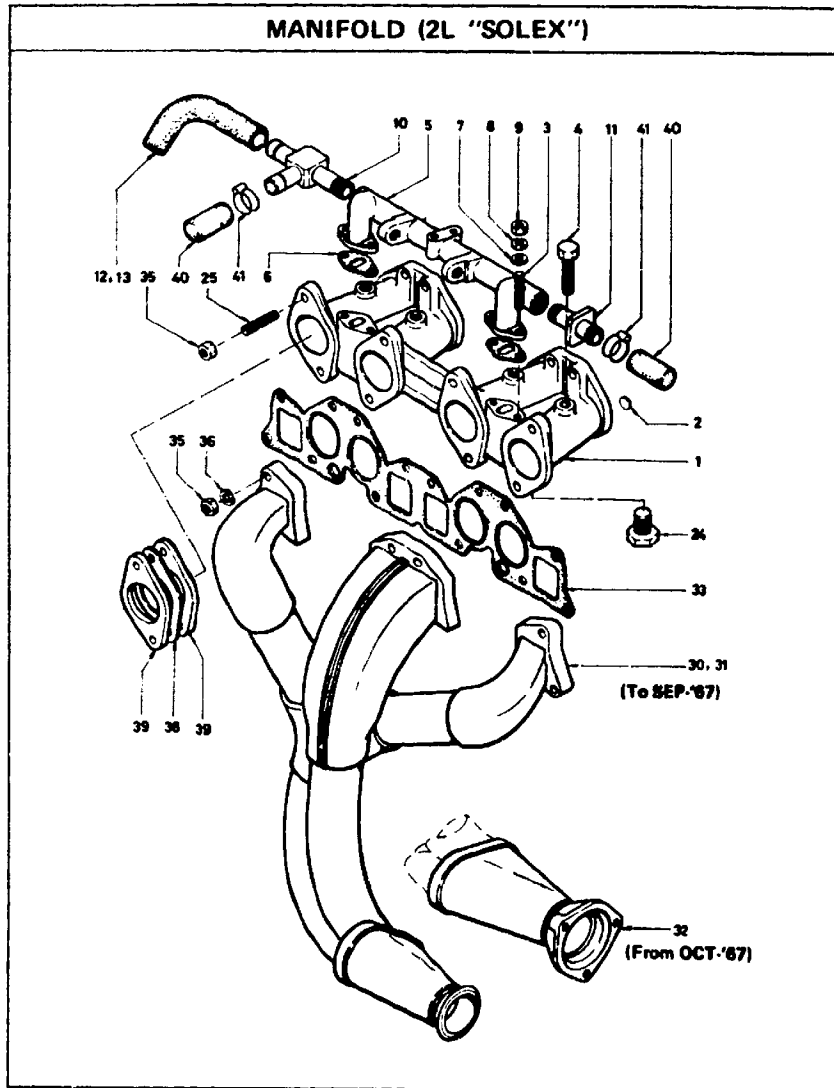
KEY NO.	PART NO.	PART NAME	QTY	SALES UNIT	MODEL	ICA
75	0915-11010	WASHER-LOCK	2	50	1.6L	
76	14175-14600	GASKET-INSULATOR,CARBU RETUR	4	10	1.6L	
77	14175-45100	GASKET-INSULATOR,CARBU RETUR	4	10	1.6L	7
78	00111-41210	SCREW	2	50	1.6L	
79	0915-11410	WASHER-LOCK	2	50	1.6L	

REVISED: SEPTEMBER, 1971

Fig. - 5

Printed in Japan

FIG. 5A-1 F10 NISSAN MOTOR CO., LTD.



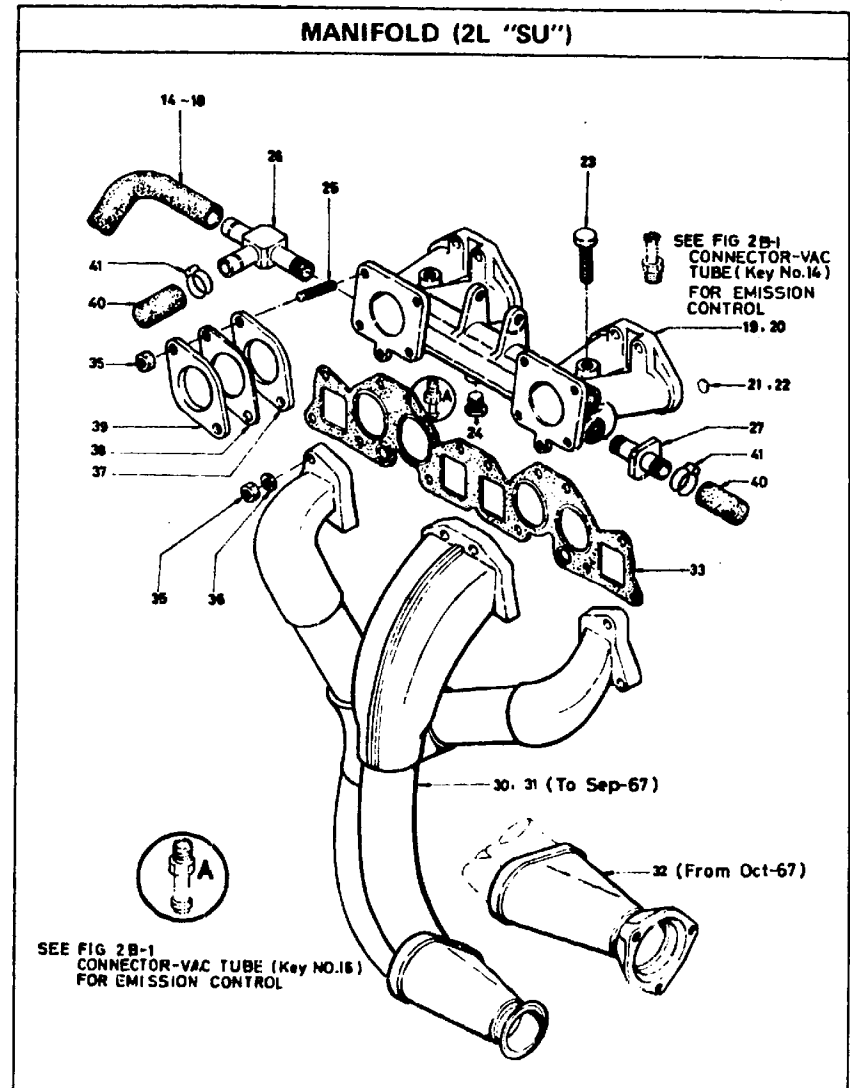
SEPTEMBER, 1971

F5A - 1

Printed in Japan

NISSAN MOTOR CO., LTD.

FIG. 5A-2



SEPTEMBER, 1971

F5A - 2

Printed in Japan

FIG. 5A F11 NISSAN MOTOR CO., LTD.

S	KEY NO.	PART NO.	PART NAME	QTY	SALES UNIT	MODEL	ICA
			MANIFOLD (2L)				
	1	14002-25525	MANIFOLD=INTAKE FOR SOLEX	1	1 2L		
	2	09933-11609	PLUG=WELCH 16	1	50 2L		
	3	07228-62010	STUD M8 X 1.0=WATER TUBE	4	50 2L		
	4	09931-30210	PLUG 1/8=28PT	4	50 2L		
	5	14028-25500	TUBE=WATER	1	1 2L		
	6	14021-20100	GASKET=WATER TUBE	2	10 2L		
	7	09915-43610	WASHER=PLAIN	4	50 2L		
	8	09915-13610	WASHER=LOCK	4	50 2L		
	9	09911-10610	NUT M8 X 1.0	4	50 2L		
	10	14048-25500	CONNECTOR=3 WAY,TUBE,FRONT	1	1 2L		
	11	14049-10811	CONNECTOR=WATER TUBE,REAR	1	5 2L		
	12	14056-25500	HOSE=WATER TO PUMP FOR "SOLEX"	1	5 2L		
	13	14056-25501	HOSE=WATER TO PUMP FOR "SOLEX"	1	5 2L		Y
	14	14056-25600	HOSE=WATER FOR "SU"	1	5 2L EXC SRL U		
	15	14056-25605	HOSE=WATER FOR "SU"	1	5 2L EXC SRL U		Y
	16	14056-25605	HOSE=WATER "AD" FOR "SU"	1	5 SRLU		
	17	14056-25602	HOSE=WATER "AD" FOR "SU"	1	5 SRLU		

REVISED: 5 PTEMBER, 1971

FIG. 5A 1

Printed in Japan

NISSAN MOTOR CO., LTD.

FIG. 5A

S	KEY NO.	PART NO.	PART NAME	QTY	SALES UNIT	MODEL	ICA
	18	14056-25605	HOSE=WATER TO PUMP FOR "SU"	1	5 SRLU		Y
	19	14002-25625	MANIFOLD=INTAKE FOR SU	1	1 2L EXC EMISSION CONTROL		
	20	14002-25626	MANIFOLD=INTAKE FOR SU	1	1 2L EXC EMISSION CONTROL		
	21	09933-11600	PLUG=WELCH 16	1	50 2L		
	22	09933-12500	PLUG=WELCH 25	2	10 2L		
	23	09931-30210	PLUG 1/8=28PT	2	50 2L		
	24	09931-20810	PLUG 1/2=14PT	1	10 2L		
	25	07223-84210	STUD M8 X 1.25	4	75 2L		
	26	14048-25600	CONNECTOR=3 WAY,WATER TUBE,FRONT	1	1 2L		
	27	14049-10811	CONNECTOR=WATER TUBE,REAR	1	5 2L		
	28	07721-12200	CLAMP=HOSE	4	10 2L		
	29	07723-12400	CLAMP=HOSE	4	10 2L		Y
	30	14060-25500	ASSY=MANIFOLD,EXHAUST (TO SEP-67)	1	1 2L		
	31	14060-25501	ASSY=MANIFOLD,EXHAUST (TO SEP-67)	1	1 2L		Y
	32	14060-25502	ASSY=MANIFOLD,EXHAUST (FROM OCT-67)	1	1 2L		N
	33	14038-25500	GASKET=MANIFOLD	1	10 2L		
	34	14037-32200	YUPL	4	50 2L		
	35	09911-20810	NUT M8 X 1.25	14	50 2L		
	36	09915-43610	WASHER=PLAIN	5	50 2L		
	37	09915-13610	WASHER=LOCK	10	50 2L		

REVISED: 5 PTEMBER, 1971

FIG. 5A 2

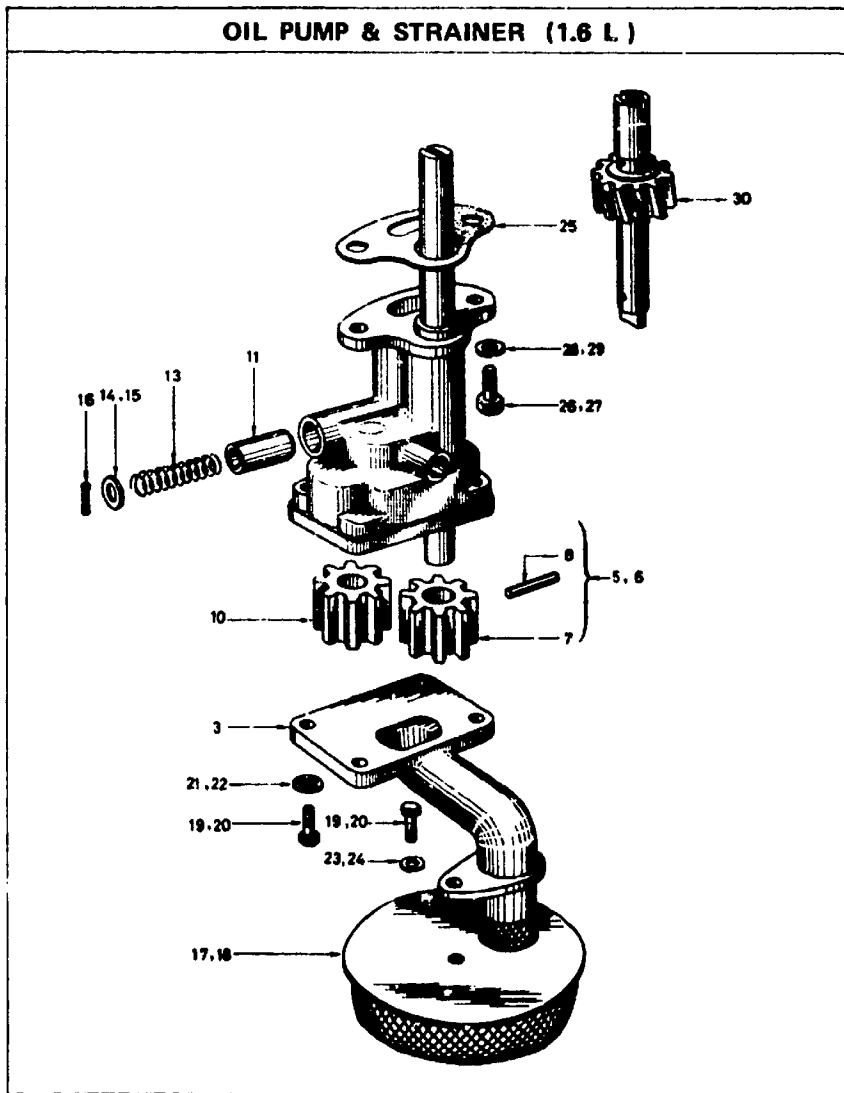
Printed in Japan

FIG. 5A F12 NISSAN MOTOR CO., LTD.

S	KEY NO.	PART NO.	PART NAME	QTY	SALES UNIT	MODEL	ICA
	38	14041-12201	[INSULATOR-EXHAUST MANI] FOLD Y1,0	1	1	2L EXC SRLU	
	39	14041-25601	[INSULATOR-EXHAUST MANI] FOLD (FROM OCT-67)	1	1	SRLU	
	40	14058-25308	CAP-WATER TUBE	2	10	2L	
	41	8P721-12208	CLAMP	3	10	2L	
	42	8P723-12408	CLAMP	3	10	2L	Y
	43	14056-12208	RAP-EXHAUST MANIFOLD	1	1	2L EXC SRLU	
	44	14056-25601	RAP-EXHAUST MANIFOLD (FROM OCT-67)	1	1	SRLU	

FIG. 6 F13

NISSAN MOTOR CO., LTD.



NISSAN MOTOR CO., LTD.

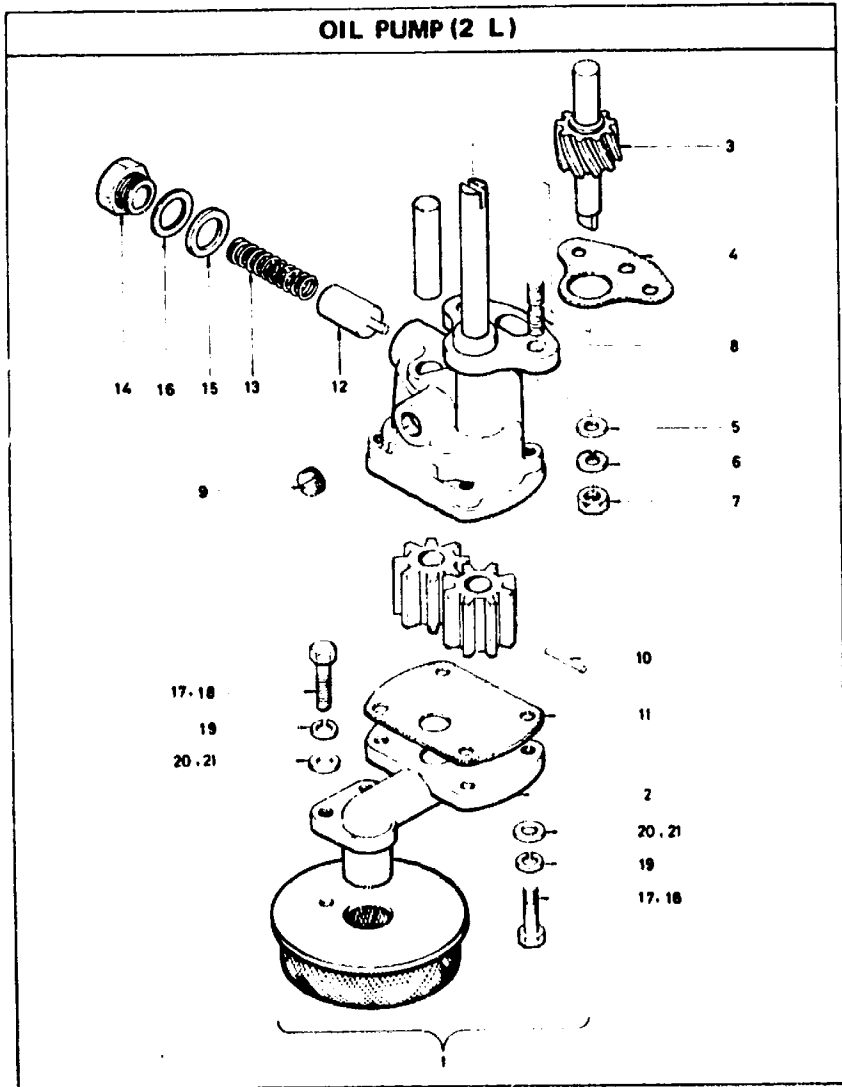
FIG. 6

S KEY NO.	PART NO.	PART NAME	QTY	SALES UNIT	MODEL	ICA
OIL PUMP & STRAINER (1.6L)						
1	15010-12200	ASSY-PUMP,OIL,WITH OIL STRAINER	1	1.6L		
2	15010-10010	ASSY-PUMP,OIL,WITH OIL STRAINER(FROM E/S R-40001)	1	1.6L		Y
3	15015-12200	COVER-OIL PUMP	1	1.6L		
4	15020-32200	ASSY-SHAFT,OIL PUMP	1	1.6L		
5	15020-71102	ASSY-SHAFT,OIL PUMP	1	1.6L		Y
6	15020-70200	ASSY-SHAFT,OIL PUMP	1	1.6L		Y
7	15021-32200	GEAR-DRIVE,OIL PUMP	1	1.6L		
8	15030-32200	PIN-DRIVE SHAFT	1	1.6L		
9	15023-32200	GEAR-DRIVE,OIL PUMP	1	1.6L		
10	15023-70200	GEAR-DRIVE,OIL PUMP	1	1.6L		Y
11	15132-50000	VALVE-OIL REGULATOR	1	1.6L		
12	15133-50000	SPRING-VALVE,OIL REGUL-ATOR	1	1.6L		
13	15133-61500	SPRING-VALVE,OIL REGUL-ATOR	1	1.6L		Y
14	15136-50000	SHIM-OIL REGULATOR(1M/M)	1	50	1.6L	
15	15137-50000	SHIM-OIL REGULATOR(2M/M)	1	70	1.6L	
16	09921-32910	PIN-COVER(3)	1	50	1.6L	
17	15050-12200	ASSY-STRAINER,OIL	1	1.6L		
18	15050-70200	ASSY-STRAINER,OIL(FROM E/S R-40001)	1	1.6L		Y
19	09111-41410	PLT-COVER TO STRAINER	50	1.6L		

FIG. 6 F14 NISSAN MOTOR CO., LTD.

S KEY NO.	PART NO.	PART NAME	QTY	SALES UNIT	MODEL	ICA
20	0F120-61410	BOLT-COVER TO STRAINER (FROM E/S R-40001)	5	50	1.6L	N
21	00916-11410	WASHER-COVER TO BODY	4	50	1.6L	
22	00916-13600	WASHER-COVER TO BODY(F ROM E/S R-40001)	4	50	1.6L	N
23	00915-11410	WASHER-SPRING,COVER TO BODY	1	50	1.6L	
24	00915-13610	WASHER-SPRING,COVER TO BODY(FROM E/S R-40001)	1	50	1.6L	N
25	15000-32200	GASKET-OIL PUMP TO CYL INDER BLOCK	1	10	1.6L	
26	00111-52210	BOLT-HEX, M8 O/PUMP TO BLOCK TO FIX OIL PUMP TO CYLINDER BLOCK	2	50	1.6L	
27	0F120-82210	BOLT-HEX, M8 O/PUMP TO BLOCK(FROM E/S R-40001 TO FIX OIL PUMP TO CY LINDER BLOCK	2	50	1.6L	N
28	00915-11510	WASHER-LOCK, O/PUMP TO CYL, BLOCK TO FIX OIL P UMP TO CYLINDER BLOCK	2	50	1.6L	
29	00915-13810	WASHER-LOCK, O/PUMP TO CYL, BLOCK(FROM E/S R-4 0001) TO FIX OIL PUMP T O CYLINDER BLOCK	2	50	1.6L	N
30	15040-61000	ASSY-SPINDLE, DRIVING, O IL PUMP	1	1	1.6L	

FIG. 6A F15 NISSAN MOTOR CO., LTD.



F6A - 1

DECEMBER, 1968

Printed in Japan

NISSAN MOTOR CO., LTD.

FIG. 6A

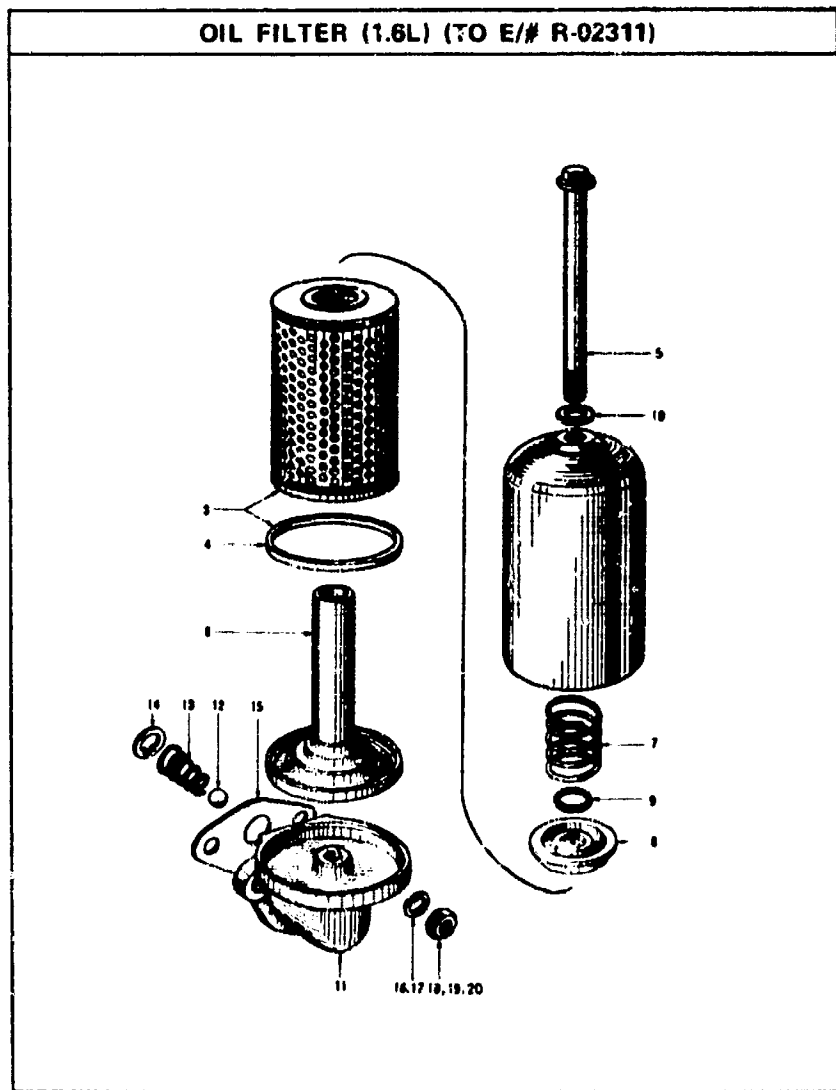
S	KEY NO.	PART NO.	PART NAME	QTY	SALES UNIT	MODEL	ICA
			OIL PUMP (2L)				
	1	19819-25901	ASSY-OIL PUMP WITH STRAINER	1	1 2L		
	2	19819-25901	ASSY-COVER,OIL PUMP	1	1 2L		
	3	15048-61000	ASSY-SPINDLE,DRIVING	1	1 2L		
	4	15066-78200	BASKET-OIL PUMP TO CYLINDER BLOCK	1	90 2L		
	5	08915-43610	WASHER-PLAIN MS	2	50 2L		
	6	08915-13610	WASHER-SPRING,LOCK MS	2	90 2L		
	7	08911-20810	NUT-HEXAGON MS	2	50 2L		
	8	08223-82810	STUD	2	90 2L		
	9	15017-25900	PLUG-BLIND	1	10 2L		
	10	15030-32200	PIN-DRIVE SHAFT	1	10 2L		
	11	15029-25900	PACKING	1	10 2L		
	12	15132-25900	VALVE-OIL REGULATOR	1	10 2L		
	13	15133-25900	SPRING-OIL REGULATOR	1	10 2L		
	14	15134-10602	CAP-NUT,OIL REGULATOR	1	5 2L		
	15	15136-10601	WASHER-OIL REGULATOR	1	10 2L		
	16	15137-10600	SHIM-OIL REGULATOR	1	10 2L		
	17	08120-61800	SET-BOLT	6	2L		
	18	08120-61810	SET-BOLT	6	2L		Y
	19	08915-13610	WASHER-LOCK	6	90 2L		
	20	08915-43600	WASHER-PLAIN	5	90 2L		
	21	08915-43610	WASHER-PLAIN	6	90 2L		Y

REVISED: DECEMBER, 1978

F6A - 1

Printed in Japan

FIG. 7-1 F16 NISSAN MOTOR CO., LTD.



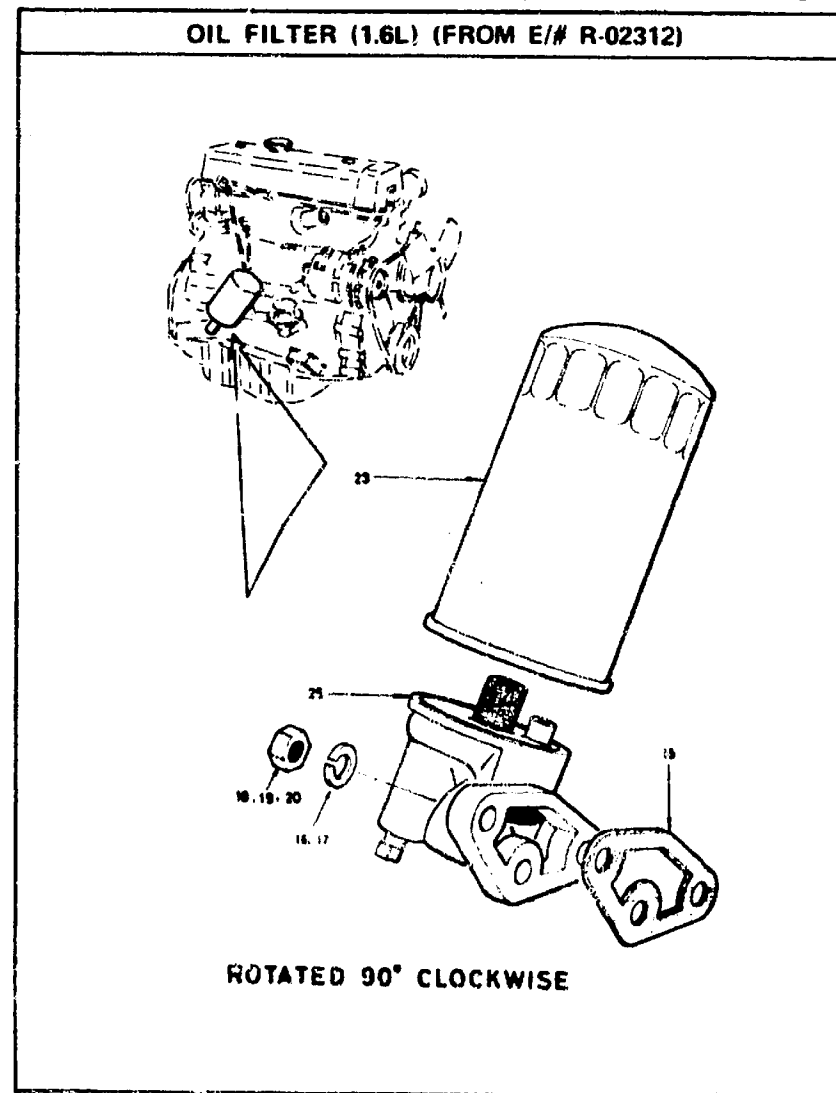
MARCH, 1971

F7 - 1

Printed in Japan

NISSAN MOTOR CO., LTD.

FIG. 7-2



MARCH, 1971

F7 - 2

Printed in Japan

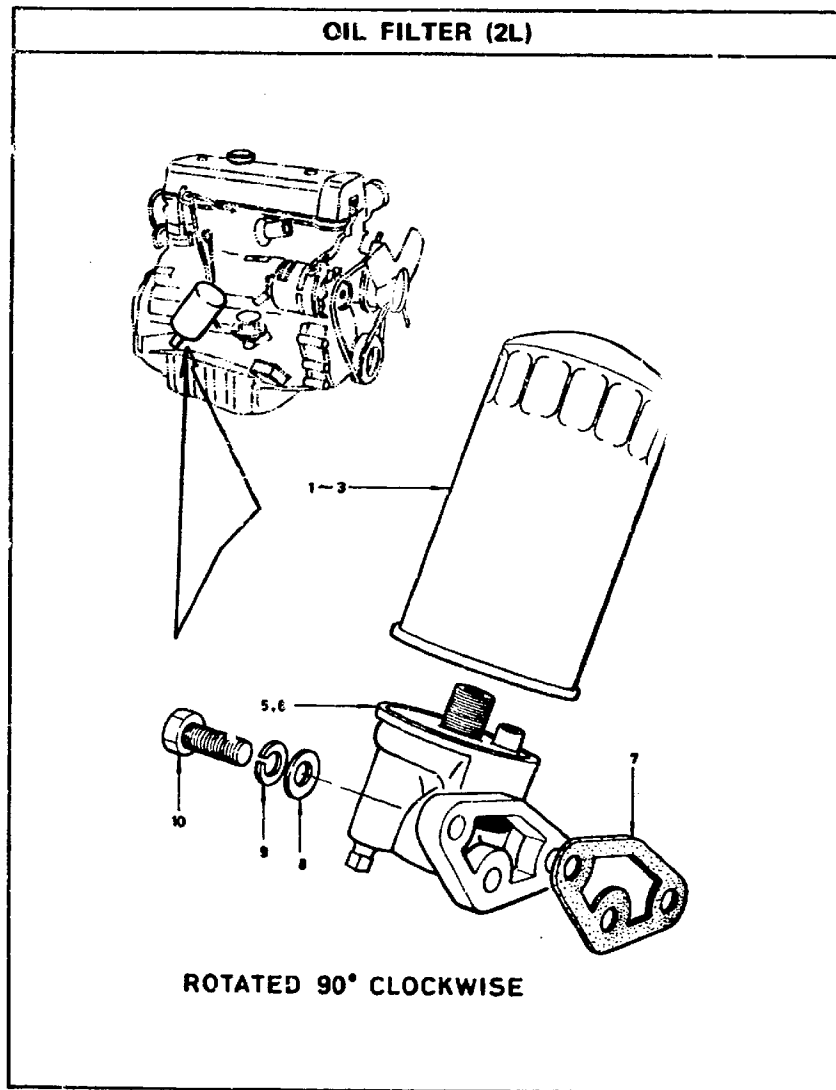
FIG. 7 G1 NISSAN MOTOR CO., LTD.

S KEY NO.	PART NO.	PART NAME	QTY	SALES UNIT	MODEL	ICA
		OIL FILTER (1.6L)				
1	15200-32201	ASSY-FILTER,OIL	1	1.6L		
2	15200-38701	ASSY-FILTER,OIL	1	1.6L		Y
3	15200-32225	ASSY-ELEMENT,OIL FILTER, WITH GASKET(TO E/S R-42311)	1	1.6L		
4	15223-30100	GASKET-OIL FILTER BODY	1	10 1.6L		
5	15213-43800	ASSY-SHAFT,CENTER	1	1.6L		
6	15229-32201	ASSY-SEAT,ELEMENT	1	1.6L		
7	15224-43800	SPRING-GET,ELEMENT	1	5 1.6L		
8	15227-43800	RETAINER-ELEMENT	1	10 1.6L		
9	15228-43800	W-RING-RETAINER	1	10 1.6L		
10	15230-43800	GASKET-FILTER,BODY TOP	2	50 1.6L		
11	15238-32201	BRACKET-OIL FILTER	1	1.6L		
12	15308-32200	VALVE-SAFETY	1	50 1.6L		
13	15301-32200	SPRING-SAFETY VALVE	1	10 1.6L		
14	15302-32201	RING-SNAP	1	50 1.6L		
15	15239-32200	GASKET-OIL FILTER TO CYLINDER BLOCK	1	50 1.6L		
16	00915-11610	WASHER-SPRING,OIL FILTER	2	50 1.6L		
17	00915-14010	WASHER-SPRING,OIL FILTER (FROM E/S R-40001)	2	50 1.6L		N
18	00911-14610	NUT-OIL FILTER TO BLOCK	2	50 1.6L		
19	00911-24010	NUT-OIL FILTER TO BLOCK (FROM E/S R-40001)	2	50 1.6L		N

NISSAN MOTOR CO., LTD.

FIG. 7

S KEY NO.	PART NO.	PART NAME	QTY	SALES UNIT	MODEL	ICA
20	21197-E4290	NUT-OIL FILTER TO BLOCK	2	10 1.6L		Y
21	15200-13210	ASSY-ELEMENT,CARTRIDGE	1	50 1.6L		
22	15200-13211	ASSY-ELEMENT,CARTRIDGE	1	1 1.6L		Y
23	15200-13212	ASSY-ELEMENT,CARTRIDGE	1	1 1.6L		Y
24	15238-15000	ASSY-BRACKET	1	1.6L		
25	15238-70200	ASSY-BRACKET	1	1 1.6L		Y



KEY NO.	PART NO.	PART NAME	QTY	SALES UNIT	MODEL	ICA
OIL FILTER (2L)						
1	15200-13210	ASSY-ELEMENT,OIL FILTER CARTRIDGE	1	90 2L		
2	15200-13211	ASSY-ELEMENT, OIL FILTER CARTRIDGE	1	1 2L		Y
3	15200-13212	ASSY-ELEMENT,OIL FILTER CARTRIDGE	1	1 2L		Y
4	15230-25500	BRACKET-OIL FILTER	1	2L		
5	15230-25501	BRACKET-OIL FILTER	1	1 2L		Y
6	15230-00700	GASKET-OIL FILTER	1	10 2L		
7	15230-25500	GASKET-OIL FILTER	1	10 OP 2L FOR RACE		
8	00915-44010	WASHER-PLAIN M10	2	50 2L		
9	00915-14010	WASHER-SPRING LOCK M10	2	50 2L		
10	00121-03510	BOLT-HEXAGON,M10 X 1,5	2	25 2L		

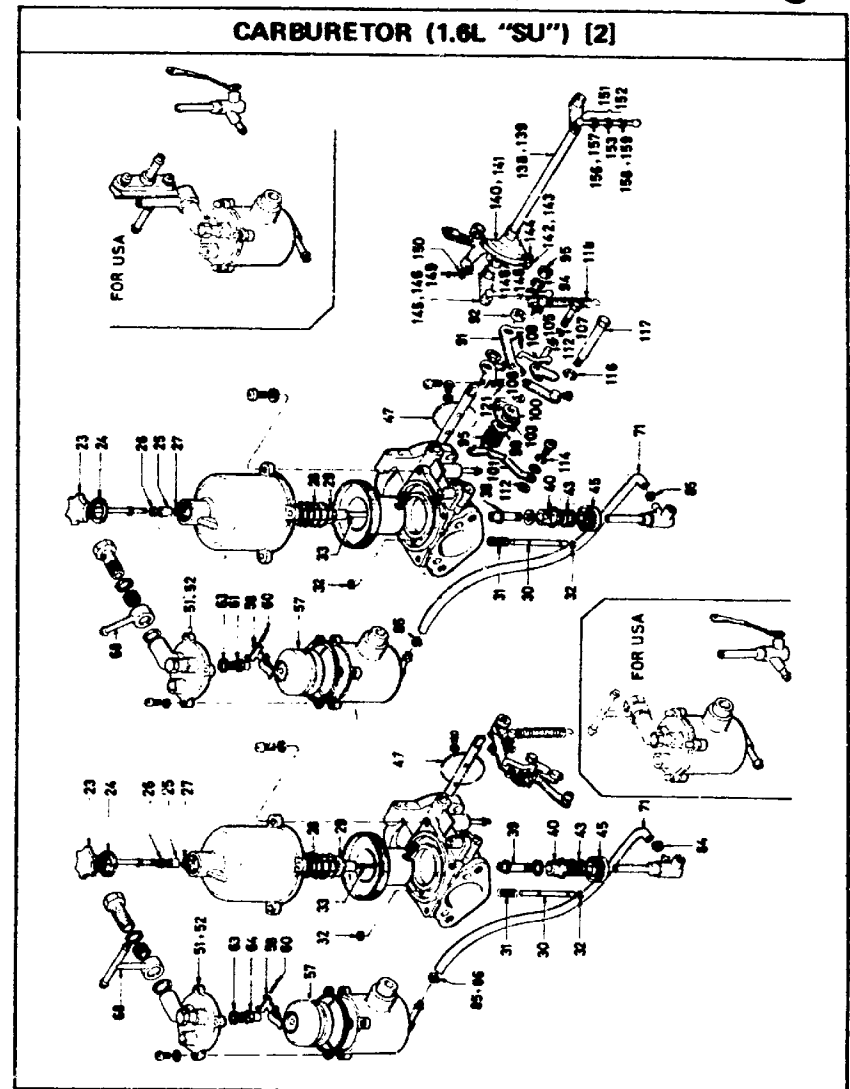
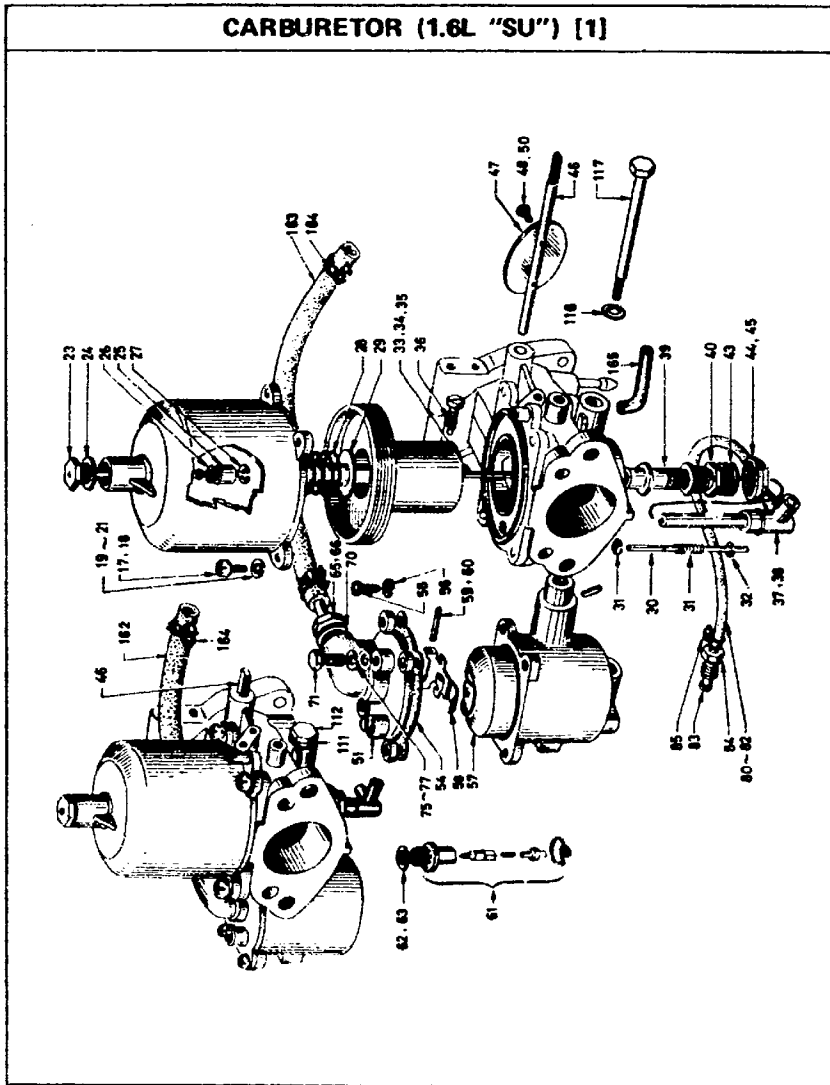
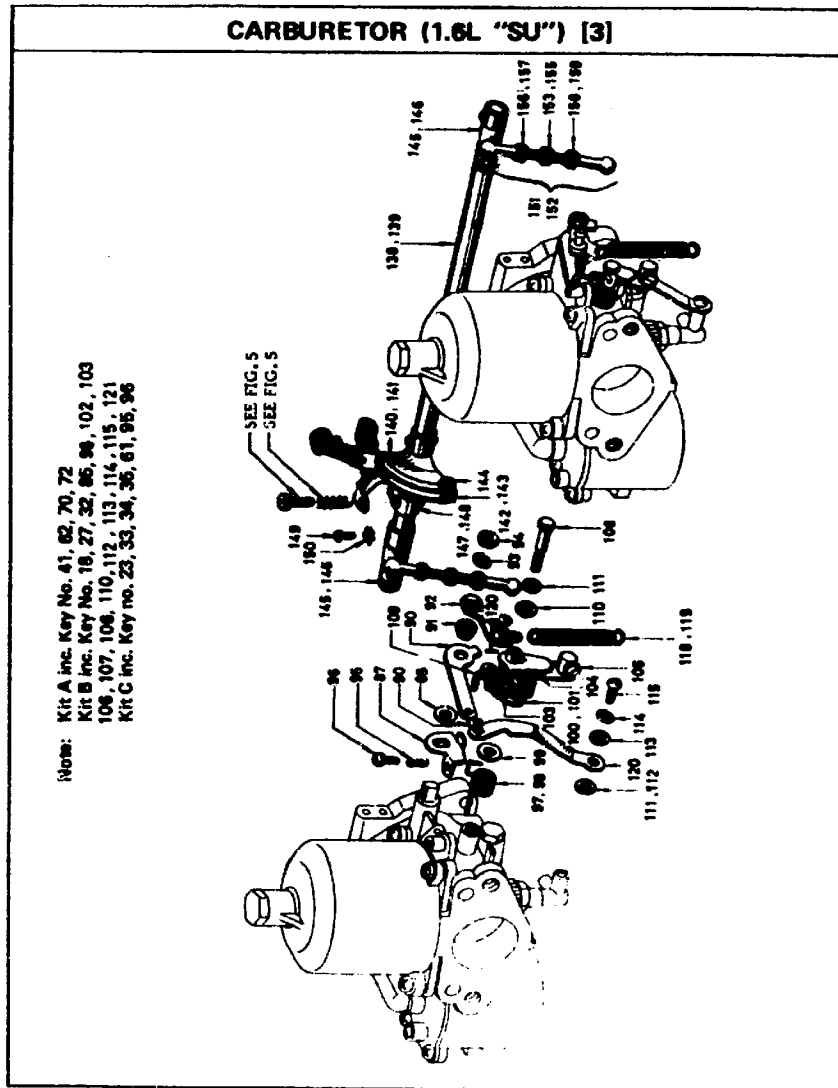


FIG. 8-3 G4 NISSAN MOTOR CO., LTD.



NISSAN MOTOR CO., LTD.

FIG. 8

S	KEY NO	PART NO.	PART NAME	QTY	SALES UNIT	MODEL	ICA
CARBURETOR (1.6L "SU")							
EXHAUST signifies <u>ONTARIO</u> and <u>USA</u> except <u>CAL.</u>							
EVAPO signifies <u>CALIFORNIA</u> in <u>USA.</u>							
•	1	14010-14300	ASSY-CARBURETOR(HJ83PM-3)	1	1.6L		
•	2	14010-14302	ASSY-CARBURETOR(HJ83PM-3)(FROM E/S R-40801)	1	1.6L		Y
•	3	14010-14603	ASSY-CARBURETOR(HJ83PM-3)(FROM E/S R-40801)	1	1.6L		Y
•	4	14010-14604	ASSY-CARBURETOR (ISO)	1	1.6L	EXC SPLU	Y
•	5	14010-14605	ASSY-CARBURETOR	1	1.6L	EXC EXHAUST & EVAPO	Y
•	6	14010-14635	CARBURETOR FRONT	1	1.6L	EXC EXHAUST & EVAPO	Y
•	7	14010-14655	CARBURETOR REAR	1	1.6L	EXC EXHAUST & EVAPO	Y
•	8	14010-14700	ASSY-CARBURETOR (FROM OCT-67)(HJ838N-3B)	1	SPLU		
•	9	14010-14701	ASSY-CARBURETOR (ISO) (HJ838N-5AK)	1	SPLU		Y
•	10	14010-14702	ASSY-CARBURETOR (ISO)	1	SPLU		Y
•	11	14010-A7700	ASSY-CARBURETOR(HJ8-3B W6) (FROM JULY-69)	1	1.6L	EXHAUST & EVAPO	N
•	12	14010-A7701	ASSY-CARBURETOR (HJ8-3B W-6)(TO SEP-69)	1	1.6L	EXHAUST & EVAPO	Y
•	13	14010-A7731	CARBURETOR FRONT	1	1.6L	EXHAUST & EVAPO	Y
•	14	14010-A7732	CARBURETOR FRONT	1	1.6L	EXHAUST & EVAPO	Y

FIG. 8 G5 NISSAN MOTOR CO., LTD.

S	KEY NO.	PART NO.	PART NAME	QTY	SALES UNIT	MODEL	ICA
1	16010-A7751	CARBURETOR REAR	1	1	1.6L EXHAUST & EVAPU		
16	16010-A7752	CARBURETOR REAR	1	1	1.6L EXHAUST & EVAPU	Y	
17	16129-73012	SCREW 5D	10	10	1.6L		
18	16129-73013	SCREW 5D	10	10	1.6L	Y	
19	16086-00100	WASHER-SPRING	10	10	1.6L EXC SPLU		
20	23109-30000	WASHER SPRING 5D	10	10	SPLU		
21	23502-30000	WASHER SPRING 5D	10	10	SPLU		
22	16341-10400	NUT-OIL CAP	2	2	1.6L		
23	16341-10410	NUT-OIL CAP	2	10	1.6L	Y	
24	16342-10400	PACKING	2	2	1.6L		
25	16343-12210	PLUNGER-OIL DAMPER	2	2	1.6L		
26	16344-10400	WASHER-OIL DAMPER	2	2	1.6L		
27	16345-10400	RING-OC	2	10	1.6L		
28	16346-12210	SPRING-SUCTION	2	2	1.6L		
29	16347-10400	PACKING-NYLON, 12,5	2	2	1.6L		
30	16324-10400	LIFTER-PISTON	2	10	1.6L		
31	16325-10400	SPRING-PISTON LIFTER	2	2	1.6L		
32	16326-10400	RING-PE	4	10	1.6L		
33	16354-14610	JET-NEEDLE M-39	2	10	1.6L		
34	16354-15010	JET-NEEDLE M-43	2	10	1.6L		
35	16354-A7710	JET-NEEDLE (M-70)	2	10	1.6L		
36	16219-10400	SCREW-SET, JET NEEDLE	2	10	1.6L		
37	16355-14610	NOZZLE	2	10	1.6L EXC SPLU		

NISSAN MOTOR CO., LTD.

FIG. 8

S	KEY NO.	PART NO.	PART NAME	QTY	SALES UNIT	MODEL	ICA
38	16355-14710	NOZZLE	2	2	SPLU		
39	16351-10400	SLEEVE-NOZZLE	2	2	1.6L		
40	16027-10400	SCREW-SET, NOZZLE SLEEVE	2	2	1.6L		
41	16130-10400	WASHER-10D	2	10	1.6L EXC SPLU		
42	16130-25610	WASHER-10D	2	10	SPLU		
43	16145-10400	SPRING-IDLE ADJUST SCREW	2	10	1.6L		
44	16144-12210	NUT-IDLE ADJUST	2	10	1.6L		
45	16144-25610	NUT-IDLE ADJUST	2	2	SPLU		
46	16122-12210	SHAFT-THROTTLE	1	2	1.6L		
47	16120-10400	VALVE-THROTTLE	2	10	1.6L		
48	16121-85160	SCREW-VALVE	4	50	1.6L EXC SPLU		
49	16121-85060	SCREW-VALVE	4	10	SPLU		
50	16125-10411	COVER-FLOAT	2	2	1.6L		
51	16125-10400	COVER-FLOAT	2	1	1.6L	Y	
52	16125-E3210	COVER-FLOAT	2	1	1.6L	N	
53	16064-10400	GASKET-FLOAT CHAMBER	2	10	1.6L		
54	16064-22010	GASKET-FLOAT CHAMBER	2	10	1.6L	Y	
55	16065-05010	SCREW-SET, 5	2	10	1.6L		
56	16086-00100	WASHER-SPRING	16	16	1.6L		
57	16061-10400	ASSY-FLOAT	2	1	1.6L		
58	16062-10400	LEVER-FLOAT	2	10	1.6L		
59	16066-10400	SHAFT-FLOAT LEVER	2	10	1.6L EXC SPLU		
60	16066-25610	SHAFT-FLOAT LEVER	2	10	SPLU		

FIG. 8 G6 NISSAN MOTOR CO., LTD.

S	KEY NO	PART NO.	PART NAME	QTY	SALES UNIT	MODEL	ICA
	61	14101-10400	ASSY-VALVE, NEEDLE	2	5 1.6L		
	62	14094-10400	WASHER-10D	2	10 1.6L EXC SPLU		
	63	14130-22010	WASHER-10D	2	2 SPLU		
	64	14111-12210	NIPPLE-FUEL	2	5 1.6L		
	65	14111-25611	NIPPLE-FUEL(F)	2	5 1.6L		Y
	66	14111-A7715	NIPPLE-FUEL(F)(NOT FOR SALE)	2	1.6L		Y
	67	14108-10010	RULT-FILLER	2	5 1.6L		
	68	16098-73401	FILTER	2	10 1.6L		
	69	14094-85060	PACKING-12	2	50 1.6L		
	70	16094-76500	PACKING-12	2	10 1.6L		Y
	71	14331-10400	SCREW-SET, NIPPLE	2	10 1.6L		
	72	16335-10400	PACKING-10	4	10 1.6L		
	73	16111-14715	VALVE FUEL RETURN FOR 16010-14701	1	1 SPLU		
	74	14111-25613	VALVE FUEL RETURN W/BRACKET FOR 16010-14702	1	SPLU		
	75	14111-A7710	VALVE FUEL RETURN W/BRACKET FOR 16010-A7700	1	1 SPLU		Y
	76	14111-A7711	VALVE FUEL RETURN W/BRACKET FOR 16010-A7700	1	1 SPLU		Y
	77	14111-A7712	VALVE FUEL RETURN W/BRACKET FOR 16010-A7700	1	SPLU		Y
	78	14111-25614	W/BRACKET FUEL CONNECTOR FOR 16010-14700	1	5 SPLU		
	79	14111-25615	W/BRACKET FUEL CONNECTOR FOR 16010-14701	1	5 SPLU		N

NISSAN MOTOR CO., LTD.

FIG. 8

S	KEY NO.	PART NO.	PART NAME	QTY	SALES UNIT	MODEL	ICA
	80	16356-12210	PIPE-FUEL	2	10 1.6L EXC SPLU		
	81	16356-14710	PIPE-FUEL	2	5 SPLU		
	82	16356-25610	PIPE-FUEL	2	5 SPLU		Y
	83	14357-12210	SLEEVE	2	10 1.6L		
	84	16359-12210	NUT-SLEEVE	2	10 1.6L		
	85	16358-12211	CLIP	4	10 1.6L		
	86	16358-E4310	CLIP	4	10 1.6L		Y
	87	16127-14610	PLATE-THROTTLE ADJUST	2	1 1.6L		
	88	14084-14610	WASHER-8	2	10 1.6L		
	89	16277-14610	LEVER-IDLE FIRST	2	1 1.6L		
	90	16277-14611	LEVER-IDLE FIRST	2	5 1.6L		Y
	91	16239-14610	SLEEVE-PA	2	1 1.6L		
	92	16134-14610	LEVER-THROTTLE	2	1 1.6L		
	93	23109-30000	WASHER	2	10 1.6L		
	94	16214-85060	NUT-8	2	10 1.6L		
	95	16193-10400	SPRING-THROTTLE ADJUST SCREW	2	5 1.6L		
	96	14114-10400	SCREW-THROTTLE ADJUST	2	10 1.6L		
	97	14198-10401	SPRING-STARTER RETURN	2	10 1.6L		
	98	14198-H2710	SPRING-STARTER RETURN	2	1.6L		Y
	99	16072-14610	WASHER-9	2	10 1.6L		
	100	16147-14611	PLATE-CONNECTING, "B"	2	5 1.6L EXC SPLU		
	101	16147-14710	PLATE-CONNECTING, "B"	2	5 SPLU		
	102	16116-14610	SLEEVE-PR	2	10 1.6L		
	103	16157-14610	SPRING-CONNECTING	2	10 1.6L		

FIG. 8 G7 NISSAN MOTOR CO., LTD.

S	KEY NO.	PART NO.	PART NAME	QTY	SALES UNIT	MODEL	ICA
	104	16238-14610	LEVER-CHOKE	2	1.6L		
	105	16185-14610	BOLT	2	1.6L		
	106	16217-10401	WASHER-7	2	1.6L		
	107	16076-14610	WASHER-SPRING	2	1.6L		
	108	16185-10400	BOLT-5	2	1.6L		
	109	16248-14610	RUD-COMMFCTING	2	1.6L		
	110	16091-10550	PIN-COTTER	2	1.6L		
	111	16220-14610	WASHER-4D	2	1.6L EXC SPLU		
	112	27185-50000	WASHER-4D	2	10 SPLU		
	113	16123-14610	SLFVEG-PC	2	1.6L		
	114	27136-85060	WASHER-SPRING	2	100 1.6L		
	115	23552-09400	SCREW-4	2	1.6L		
	116	23109-30800	WASHER-SPRING	2	1.6L		
	117	16322-12210	BOLT	2	1.6L		
	118	16194-12210	SPRING-THROTTLE	2	1.6L EXC SPLU		
	119	16194-14710	SPRING-THROTTLE	2	10 SPLU		
	120	16147-14610	PLATE-CONNECTING, PA	2	1.6L		
	121	16091-10550	PIN-COTTER	2	1.6L		
	122	00911-14510	NUT-CARBURETOR TO MANIFOLD	4	50 1.6L		
	123	00911-20810	NUT-CARBURETOR TO MANIFOLD (FROM E/S R-40001)	4	50 1.6L		N
	124	00915-11510	WASHER-SPRING, CARB. TO MANIFOLD	4	50 1.6L		
	125	00915-13810	WASHER-SPRING, CARB. TO MANIFOLD (FROM E/S R-40001)	4	50 1.6L		N

P - 6

Printed in Japan

REVISED: JUNE, 1972

NISSAN MOTOR CO., LTD.

FIG. 8

S	KEY NO.	PART NO.	PART NAME	QTY	SALES UNIT	MODEL	ICA
	126	00915-41510	WASHER-PLAIN, CARB. TO MANIFOLD	4	50 1.6L		
	127	00915-43610	WASHER-PLAIN, CARB. TO MANIFOLD (FROM E/S R-40001)	4	50 1.6L		N
	128	00111-51410	BOLT-HEAT SHIELD PLATE TO CARBURETOR	4	50 1.6L		
	129	00110-61410	BOLT-HEAT SHIELD PLATE TO CARB. (FROM E/S R-40001)	4	50 1.6L		N
	130	00915-11510	WASHER-SPRING TO ATTACH CARB. (NOT USED FROM E/S R-40001)	4	50 1.6L		
	131	00915-11510	WASHER-W/S PLATE TO CARB. (NOT USED FROM E/S R-40001)	4	50 1.6L		
	132	X6010-14625	REPAIR KIT-A, CARBURETOR (INC. 25, 32, 34, 36, WASHER)	1	1.6L		
	133	16010-14625	REPAIR KIT-A, CARBURETOR	1	1.6L		Y
	134	X6010-14626	REPAIR KIT-B, CARBURETOR	1	1.6L		
	135	16010-14626	REPAIR KIT-B, CARBURETOR	1	1.6L		Y
	136	X6010-14628	REPAIR KIT-D, CARBURETOR	1	1.6L		
	137	16010-14628	REPAIR KIT-D, CARBURETOR	1	1.6L		Y
	138	16361-14600	SHAFT-THROTTLE (TO E/S R-40000)	1	1 1.6L		
	139	16361-14601	SHAFT-THROTTLE (FROM E/S R-40001)	1	1.6L		N
	140	16362-14600	ASSY-DRUM, THROTTLE (TO E/S R-40000)	1	10 1.6L		
	141	16362-14601	ASSY-DRUM, THROTTLE (FROM E/S R-40001)	1	1.6L		N

P - 7

Printed in Japan

REVISED: JUNE, 1972

FIG. 8 G8 NISSAN MOTOR CO., LTD.

S KEY NO.	PART NO.	PART NAME	QTY	SALES UNIT	MODEL	ICA
142	16364-14600	CLIP-THROTTLE WIRE(TO E/S R-40000)	1	10	1.6L	
143	16364-14601	CLIP-THROTTLE WIRE(FROM E/S R-40001)	1	10	1.6L	N
144	00369-01210	SCREW	1	50	1.6L	
145	16365-14600	ARM-SHAFT(TO E/S R-40000)	2	10	1.6L	
146	16365-14601	ARM-SHAFT(FROM E/S R-40001)	2	9	1.6L	N
147	16367-14600	ARM-THROTTLE ADJUST SCREW(TO E/S R-40000)	1	9	1.6L	
148	16367-14601	ARM-THROTTLE ADJUST SCREW(FROM E/S R-40001)	1		1.6L	N
149	00334-02010	SCREW	4	50	1.6L	
150	00916-41010	WASHER-TOOTH	4	50	1.6L	
151	16370-14600	ASSY-ROD,CONNECTING(TO E/S R-40000)	2	9	1.6L	
152	16370-14601	ASSY-ROD,CONNECTING(FROM E/S R-40001)	2	9	1.6L	N
153	16373-14600	TURN-BACKLE,CONNECTING ROD(TO E/S R-40000)	2	10	1.6L	
154	16373-14601	TURN-BACKLE,CONNECTING ROD(FROM E/S R-40001)	2		1.6L	N
155	16373-14605	TURN-BACKLE,CONNECTING ROD(FROM E/S R-40001)	2		1.6L	Y
156	16374-14600	NUT(TO E/S R-40000)	2	10	1.6L	
157	16374-18010	NUT(FROM E/S R-40001)	2		1.6L	N
158	16375-14600	NUT(TO E/S R-40000)	2	10	1.6L	
159	16375-18010	NUT(FROM E/S R-40001)	2		1.6L	N
160	00369-01210	SCREW TO FIX BRACKET	2	50	1.6L	
161	00915-11010	WASHER-LOCK TO FIX BRACKET	2	50	1.6L	

B - 8

Printed in Japan

REVISED JUNE, 1972

NISSAN MOTOR CO., LTD.

FIG. 8

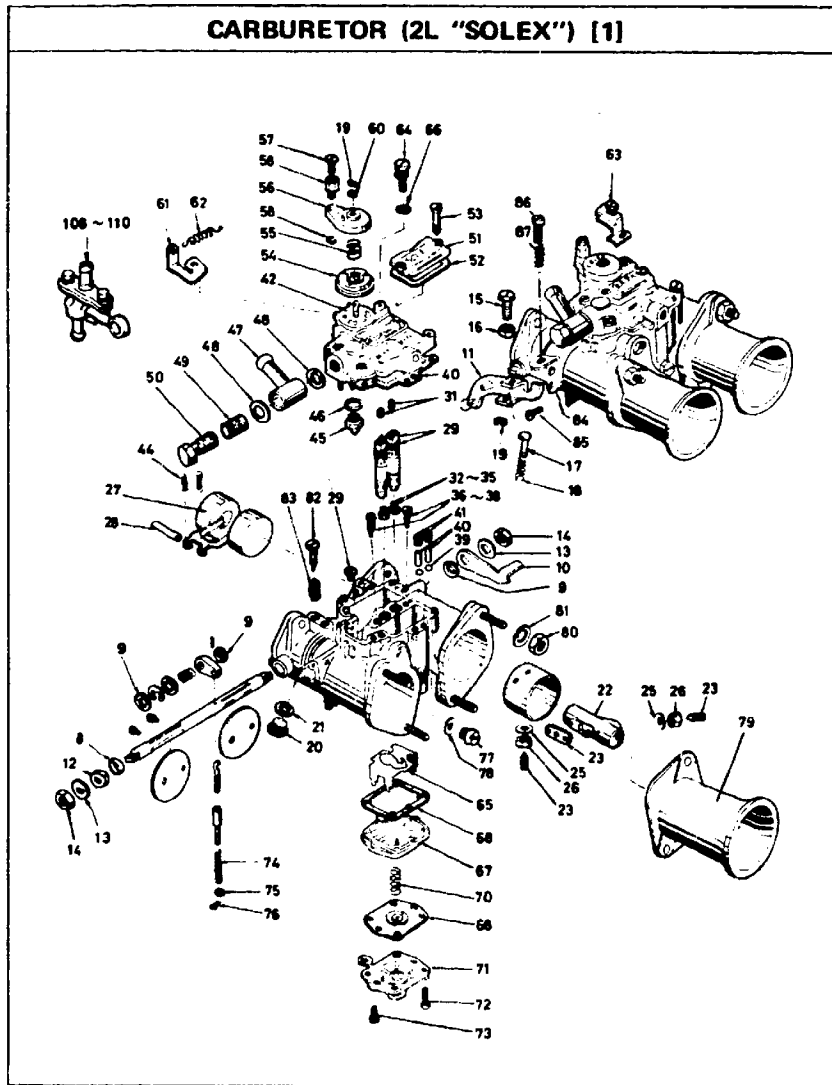
S KEY NO.	PART NO.	PART NAME	QTY	SALES UNIT	MODEL	ICA
162	17524-12200	TUBE-FLEXIBLE,FUEL PUMP TO CARRURETOR(FRONT)	1	9	1.6L	
163	17525-12200	TUBE-FLEXIBLE,FUEL PUMP TO CARRURETOR(REAR)	1	9	1.6L	
164	00742-20020	TUBE-FLEXIBLE (L=2200)	1	9	1.6L	C
165	00721-11310	CLAMP-TUBE	4	10	1.6L	
166	16020-18010	CONNECTOR-VACUUM TUBE	1	10	1.6L	

B - 9

Printed in Japan

REVISED JUNE, 1972

FIG. 8A-1 G9 NISSAN MOTOR CO., LTD.

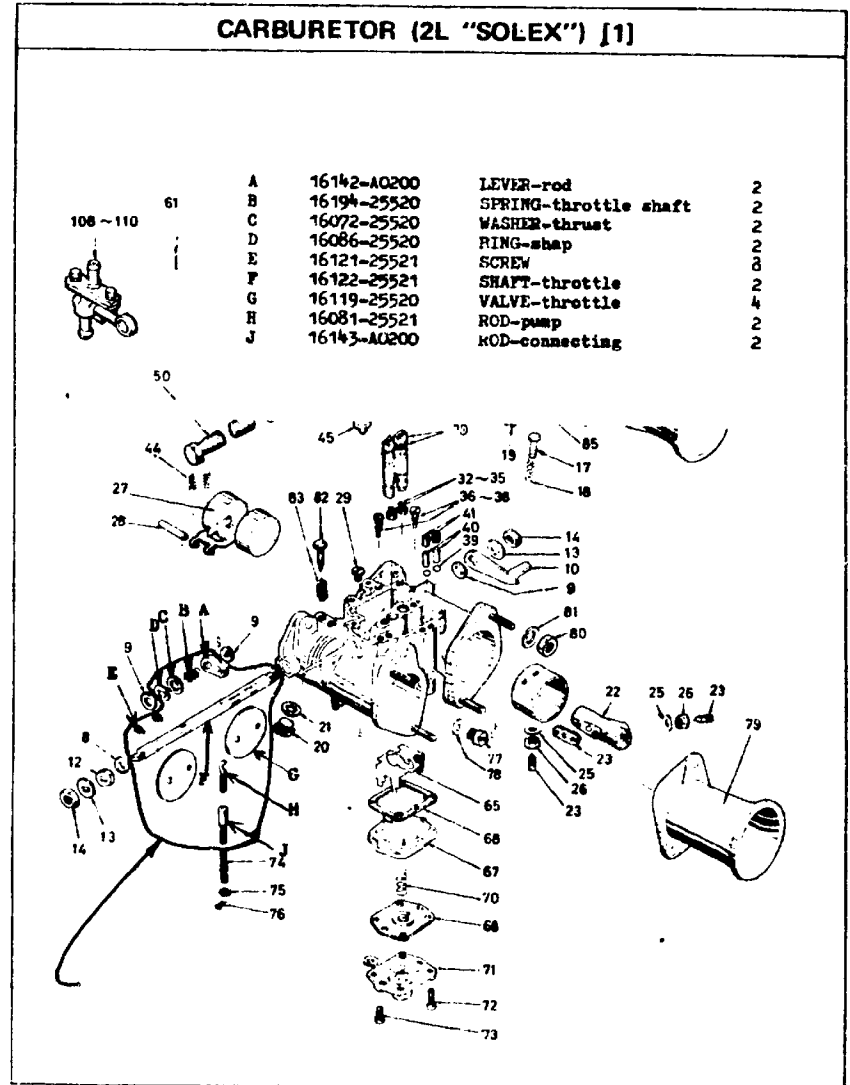


MARCH, 1972

F8A - 1

Printed in Japan

FIG. 8A-1 NISSAN MOTOR CO., LTD.



MARCH, 1972

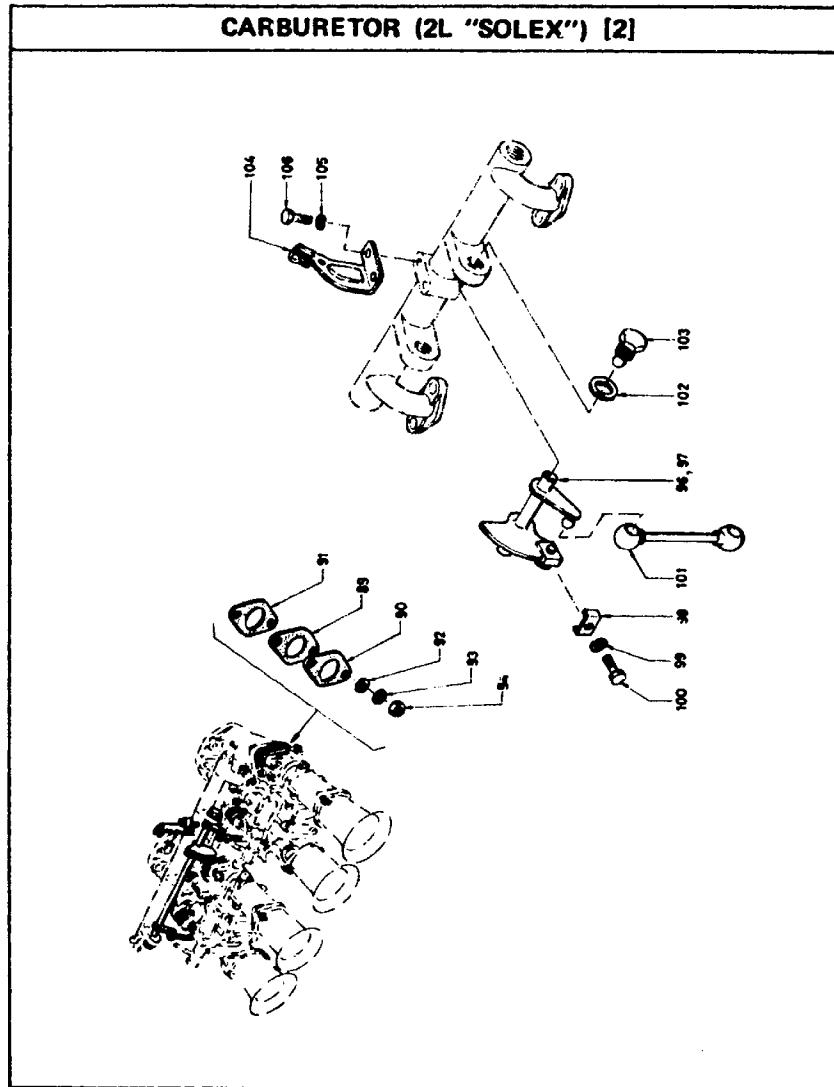
F8A - 1

Printed in Japan

G10

NISSAN MOTOR CO., LTD.

FIG. 8A-2



MARCH, 1972

F8A-2

Printed in Japan

FIG. 8A

NISSAN MOTOR CO., LTD.

S	KEY NO.	PART NO.	PART NAME	QTY	SALES UNIT	MODEL	ICA
CARBURETOR (2L "SOLEX")							
•	1	14010-25501	ASSY-CARBURETOR SOLEY	1	1 2L		
•	2	14010-25502	ASSY-CARBURETOR SOLEY	1	2L		Y
•	7	14010-25503	ASSY-CARBURETOR SOLEY	1	1 2L EXC, FRANCE		Y
•	4	14010-25505	ASSY-CARBURETOR SOLEY	1	1 2L EXC FRANCE		Y
•	6	14010-25504	ASSY-CARBURETOR SOLEY	1	1 2L FRANCE		N
•	4	14010-25506	ASSY-CARBURETOR SOLEY	1	2L FRANCE		Y
	7	14100-25520	ASSY-CARBURETOR, FRONT	1	1 2L		
		14100-25521	ASSY-CARBURETOR, REAR	1	1 2L		
	6	14263-25520	SPAL-B	M	10 2L		
	10	14133-25520	LEVER-CONNECTING, FRONT	1	10 2L		
	11	14134-25520	ASSY-LEVER THROTTLE, REAR	1	10 2L		
	12	14169-25520	NUT	2	10 2L		
	13	14126-25520	WASHER	4	10 2L		
	14	14124-25520	NUT-M	4	10 2L		
	15	14114-25520	SOLENOID	1	10 2L		
	16	14132-25520	NUT	1	10 2L		
	17	14104-25520	SCREW-PUSH	1	10 2L		
	1	14145-25520	SCREW-ADJUST SCREW	1	10 2L		
	1	14292-25520	SPRING-SHAP	1	10 2L		
	21	14031-25520	PLATE	4	10 2L		
	21	14094-25520	WASHER-12	4	10 2L		

REVISED: MARCH, 1972

F8A-1

Printed in Japan

G11

NISSAN MOTOR CO., LTD.

FIG. 8A

S	KEY NO.	PART NO.	PART NAME	QTY	SALES UNIT	MODEL	ICA
	22	14013-25520	VENTURI=SMALL	4	1 ZL		
	23	14130-25520	GASKET=VENTURI, SMALL	4	10 ZL		
	24	14016-25520	SCREW=SET, VENTURI	4	10 ZL		
	25	14015-25520	WASHER	4	10 ZL		
	26	14014-25520	NUT	8	10 ZL		
	27	14061-25520	ASSY=FLOAT	2	1 ZL		
	28	14066-25520	PIN=FLOAT	2	10 ZL		
	29	14059-25520	JLT=STARTER	2	10 ZL		
	30	14163-25520	BLOCK=JET	4	10 ZL		
	31	14036-25520	JET=MAIN AIR BLEED	4	10 ZL		
	32	14033-25520	JLT=MAIN #160	4	10 ZL		
	33	14034-25520	JLT=MAIN #195 (1000M)	4	10 OP ZL		
	34	14034-25521	JLT=MAIN #190 (2000M TO 3000M)	4	10 OP ZL		
	35	14034-25522	JLT=MAIN #145 (4000M)	4	10 OP ZL		
	36	14189-25520	JLT=SLOW	4	10 ZL		
	37	14189-25521	JLT=SLOW #60	4	10 OP ZL		
	38	14189-25522	JLT=SLOW #55	4	10 OP ZL		
	39	14219-25520	BALL=PUMP, VALVE	4	10 ZL		
	40	14285-25520	WEIGHT=PUMP, VALVE	4	10 ZL		
	41	14286-25520	PLUG=PUMPPASSAGE	4	10 ZL		
	42	14125-25520	COVER=FLOAT, CHAMBER	2	5 ZL		
	43	14064-25520	GASKET=COVER, FLOAT	2	10 ZL		
	44	14130-25520	SPRING=STOP	4	10 ZL		
	45	14101-25520	ASSY=VALVE NEEDLE	2	5 ZL		
	46	14094-25520	WASHER=12	2	10 ZL		

REVISED: MARCH, 1972

A-A- 2

Printed in Japan

FIG. 8A

NISSAN MOTOR CO., LTD.

S	KEY NO.	PART NO.	PART NAME	QTY	SALES UNIT	MODEL	ICA
	47	14111-25520	NIPPLE=FUEL	2	5 ZL		
	48	14076-25520	WASHER=12	4	10 ZL		
	49	14096-25520	ASSY=FILTER	2	10 ZL		
	50	14108-25520	BOLT=FILTER, SET	2	10 ZL		
	51	14113-25520	COVER=JET, CHAMBER	2	10 ZL		
	52	14290-25520	GASKET=COVER, JET, CHAMBER	2	10 ZL		
	53	14164-25520	SCREW=COVER, SET	4	10 ZL		
	54	17038-25520	DISK=STARTER	2	5 ZL		
	55	17639-25520	SPRING=STARTER	2	5 ZL		
	56	17648-25520	COVER=STARTER	2	1 ZL		
	57	14241-25520	ROUT	2	10 ZL		
	58	14221-25520	COLLAR=CABLE, SET	2	10 ZL		
	59	14292-25520	RING=SNAP	4	10 ZL		
	60	14217-25520	WASHER=6	2	10 ZL		
	61	14167-25520	BRACKET=SPRING, THROTTLE	1	5 ZL		
	62	14160-25520	SPRING=THROTTLE	1	5 ZL		
	63	14165-25520	ASSY=BRACKET, STARTER	1	5 ZL		
	64	14185-25520	SCREW	4	10 ZL		
	65	14220-25520	WASHER=5, 3	4	10 ZL		
	66	14060-25520	PLATE=SEPARATE	2	5 ZL		
	67	17620-25520	BODY=PUMP	2	10 ZL		
	68	17618-25520	GASKET=PUMP, BODY	2	10 ZL		
	69	17617-25520	ASSY=DIAPHRAGM, PUMP	2	1 ZL		
	70	14140-25520	SPRING=DIAPHRAGM	2	10 ZL		
	71	17619-25520	ASSY=COVER, PUMP	2	5 ZL		

REVISED: MARCH, 1972

A-A- 3

Printed in Japan

G12

NISSAN MOTOR CO., LTD.

FIG. 8A

S	KEY NO.	PART NO.	PART NAME	QTY	SALES UNIT	MODEL	ICA
	72	14223-25520	SCREW	1	10 ZL		
	73	14223-25521	SCREW-4	1	10 ZL		
	74	14151-25520	SPRING-PUMP	7	10 ZL		
	75	14215-25520	WASHER	2	10 ZL		
	76	14091-25520	PIN-COTTER	2	10 ZL		
	77	14030-25520	PLUG-PUMP, PASSAGE	2	10 ZL		
	78	14029-25520	WASHER-8	2	10 ZL		
	79	14244-25520	FUNNEL-AIR	1	5 ZL		
	80	14131-25520	NUT	1	10 ZL		
	81	14273-25520	WASHER-SPRING	1	10 ZL		
	82	14214-25520	SCREW-ADJUST, IDLE	1	10 ZL		
	83	14145-25520	SPRING-ADJUST, SCREW	1	10 ZL		
	84	14287-25520	BRACKET-STOP, SCREW	1	10 ZL		
	85	14077-25520	SCREW-5	2	10 ZL		
	86	14129-25520	SCREW-STOP, THROTTLE	1	10 ZL		
	87	14145-25520	SPRING-ADJUST, THROTTLE	1	10 ZL		
	88	14174-25500	INSULATOR	1	1 ZL		
	89	14174-25501	INSULATOR	1	1 ZL		Y
	90	14174-20100	GASKET-INSULATOR, CARRU RETOR SIDE	1	10 ZL		
	91	14175-25500	GASKET-INSULATOR, MANIF OLD SIDE	1	10 ZL		
	92	04015-43610	WASHER-PLAIN	14	50 ZL		
	93	04015-13510	WASHER-SPRING	14	50 ZL		
	94	04011-20810	NUT-M8 X 1.0	14	50 ZL		
	95	14330-25500	PLATE-HEAT SHIELD, CAP URETOR	1	1 ZL		

REVISED: MARCH, 1977

P-A-4

Printed in Japan

A FIG. 8A

NISSAN MOTOR CO., LTD.

S	KEY NO.	PART NO.	PART NAME	QTY	SALES UNIT	MODEL	ICA
	96	14331-25500	ASSY-SHAFT, THROTTLE	1	1 ZL		
	97	14362-25500	ASSY-DRUM, THROTTLE	1	1 ZL		
	98	14364-14601	CLIP-THROTTLE WIRE	1	10 ZL		
	99	04015-13510	WASHER-SPRING	1	50 ZL		
	100	04360-51212	SCREW-M5 X 0.8 FOR SOL EX	1	50 ZL		
	101	14370-25500	ROD-CONNECTING L&L FOR SOLEX	1	5 ZL		
	102	04015-14210	WASHER-SPRING FOR SOLE X	2	50 ZL		
	103	14380-18810	ROUL-BALL JOINT M12 X 1.25 FOR SOLEX	2	10 ZL		
	104	14376-25500	BRACKET-THROTTLE WIRE FOR SOLEX	1	5 ZL		
	105	04015-13510	WASHER-SPRING FOR SOLE X	2	50 ZL		
	106	04360-51410	SCREW-M5 X 0.8 FOR SOL EX	2	50 ZL		
	107	14862-25600	PLATE-HEAT SHIELD (FR M OCT-67)	1	1 SRLU		
	108	14111-25610	VALVE-FUPL RETURN	1	1 ZL		
	109	14111-47710	VALVE-FUPL RETURN	1	1 ZL		Y
	110	14111-47711	VALVE-FUPL RETURN	1	1 ZL		Y

REVISED: MARCH, 1977

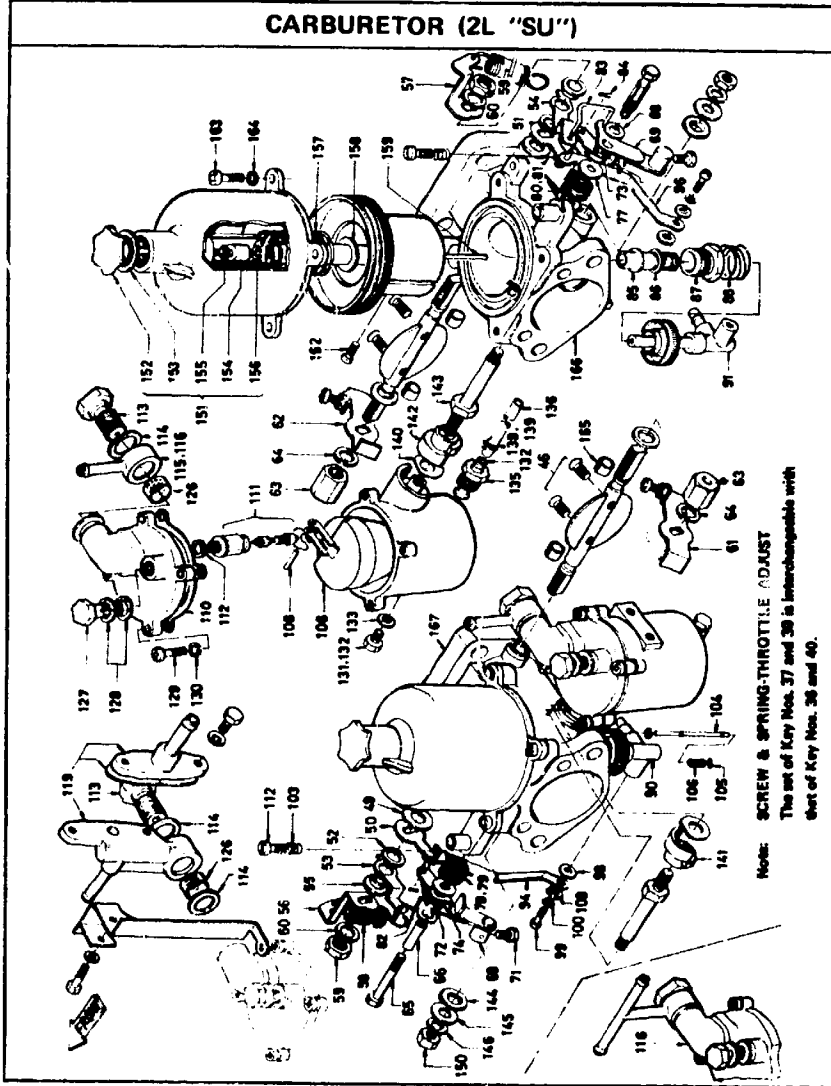
P-A-5

Printed in Japan

FIG. 8B G13 NISSAN MOTOR CO., LTD.

NISSAN MOTOR CO., LTD.

FIG. 8



S	KEY NO.	PART NO.	PART NAME	QTY	SALES UNIT	MODEL	ICA
		CARBURETOR (2L "SU") EXHAUST signifies <u>ONTARIO</u> and <u>USA</u> except <u>CAL.</u> EVAPO signifies <u>CALIFORNIA</u> in <u>USA.</u>					
	1	14010-25602	ASSY-CARBURETOR SU (HITACHI HJG46W-1C)	1	1	2L	
	2	14010-25603	ASSY-CARBURETOR (150) (HITACHI HJG46W-1CK)	1	1	2L	Y
	3	14010-A7810	ASSY-CARBURETOR (150) (HITACHI HJG46W-2)	1	1	2L	H
	4	14010-A7811	ASSY-CARBURETOR (TO SEP-69)	1	1	2L EXC EXHAUST & EVAPO	Y
	5	14010-A7831	CARBURETOR FRONT	1	1	2L EXC EXHAUST & EVAPO	
	6	14010-A7825	CARBURETOR FRONT (FROM OCT-69) (NOT FOR SALE)	1	1	2L EXC EXHAUST & EVAPO	H
	7	14010-A7851	CARBURETOR REAR	1	1	2L EXC EXHAUST & EVAPO	
	8	14010-A7826	CARBURETOR REAR (NOT FOR SALE)	1	1	2L EXC EXHAUST & EVAPO	H
	9	14010-25611	ASSY-CARBURETOR SU (HJG46W-5A) (FROM OCT-67)	1	1	5RLU	
	10	14010-25612	ASSY-CARBURETOR SU (150)	1	1	5RLU	Y
	11	14010-25613	ASSY-CARBURETOR SU (150)	1	1	5RLU	Y
	12	14010-A7800	ASSY-CARBURETOR SU (HJG46W-7) (FROM JUL-69)	1	1	2L EXHAUST & EVAPO	H
	13	14010-A7801	ASSY-CARBURETOR SU (HJG46W-7) (TO SEP-69)	1	1	2L EXHAUST & EVAPO	Y

FIG. 8 G14 NISSAN MOTOR CO., LTD.

S	KEY NO.	PART NO.	PART NAME	QTY	SALES UNIT	MODEL	ICA
	1	14010-47841	CARBURETOR FRONT	1	1	2L EXHAUST & EVAP	
•	1	14010-47842	CARBURETOR FRONT	1	1	2L EXHAUST & EVAP	Y
	1	14010-47891	CARBURETOR REAR	1	1	2L EXHAUST & EVAP	
•	17	14010-47892	CARBURETOR REAR	1	1	2L EXHAUST & EVAP	Y
	17	14174-25600	INSULATOR	2	1	2L	
	17	14031-25600	TURBO-OVER FLOW 230 MM	2	5	2L	
	20	07915-43610	WASHER-PLAIN	•	50	2L	
	21	07915-13510	WASHER-SPRING	•	50	2L	
	22	07911-20010	NUT-M8X1	•	50	2L	
	27	14330-25600	PLATE-HEATSHIELD	1	1	2L	
	24	07915-43610	WASHER-PLAIN	2	50	2L	
	25	07915-13510	WASHER-SPRING	2	50	2L	
	26	07120-01210	BOLT-M8X1	2	50	2L	
	27	14361-25600	SHAFT-THROTTLE	1	1	2L	
•	27	14362-25500	DRUM-THROTTLE	1	1	2L	
	28	14361-25500	DRUM-THROTTLE	1	1	2L	Y
	31	14364-14601	CLIP-THROTTLE WIRE	1	10	2L	
	31	07915-13510	WASHER-SPRING	1	50	2L	
	32	07360-01212	SCREW-M5X0.8	1	50	2L	
	3	14370-25600	R/D-CONNECTING 56 MM	1	5	2L	
•	31	14381-25600	SHAFT-THROTTLE	1	1	2L	
	31	14381-25601	SHAFT-THROTTLE	1	1	2L	Y
	3	14378-14600	SPRING-ADJ SCREW	2	10	2L	

NISSAN MOTOR CO., LTD.

FIG. 8 B

S	KEY NO.	PART NO.	PART NAME	QTY	SALES UNIT	MODEL	ICA
•	37	14378-25600	SPRING-ADJ SCREW (NOT ADOPTED)	2		SRLU	N
	38	14379-14601	SCREW-THROTTLE ADJUST	1	10	2L EXC. SRLU	
•	39	14379-25600	SCREW-THROTTLE ADJUST (NOT ADOPTED)	1		SRLU	
•	47	14379-25679	SCREW-THROTTLE ADJUST (NOT FOR SALE)	1	10	SRLU	"
	41	07915-14210	WASHER-SPRING	2	50	2L	
	47	14380-18010	BOLT-BALL JOINT M12X12	2	10	2L	
	42	14376-25600	BRACKET-THROTTLE WIRE	1	5	2L	
	44	14376-25601	BRACKET-ACCELE WIRE (P. DIM. DCT-07)	1	5	SRLU	
	45	07915-13510	WASHER-SPRING	2	50	2L	
	46	07360-01410	SCREW-M8X0.8	2	50	2L	
	47	14263-25610	SEAL	1	10	2L	
	47	14121-25610	SCREW 4 MM	4	10	2L	
	47	14142-25610	FILTER-THRUTTLE SHAFT	4	10	2L	
	50	14127-25610	LEVER-ADJUST A	1	5	2L	
	51	14127-25611	LEVER-ADJUST B	1	5	2L	
	52	14094-14610	WASHER 8 MM	2	10	2L	
	53	14277-25610	LEVER-FAST IDLE A	1	5	2L	
	54	14277-25611	LEVER-FAST IDLE B	1	5	2L	
	5	14230-14610	SLFIVE	2	1	2L	
	54	14247-25610	WASHER-SPRING A	1	10	2L	
	57	14247-25611	WASHER-SPRING B	1	5	2L	
	57	14194-25610	SCREW-THROTTLE	2	5	2L	
	57	14214-05000	BOLT 8 MM	2	10	2L	

FIG. 8B G15 NISSAN MOTOR CO., LTD.

S KEY NO.	PART NO.	PART NAME	QTY	SALES UNIT	MODEL	ICA
60	21109-30000	WASHER-SPRING	2	10 ZL		
61	11134-25610	LEVER-THROTTLE A	1	9 ZL		
62	11134-25611	LEVER-THROTTLE	1	9 ZL		
63	11214-25610	NUT 8 MM	2	10 ZL		
64	21109-30000	WASHER-SPRING	2	10 ZL		
65	11285-10400	BOLT	2	10 ZL		
66	11076-14610	WASHER-SPRING	2	10 ZL		
67	11217-10401	WASHER 7 MM	4	10 ZL		
68	11238-25610	LEVER-CHOKE A	1	9 ZL		
69	11138-25611	LEVER-CHOKE B	1	9 ZL		
70	11116-12310	SLIDING-CHOKE LEVER	2	10 ZL		
71	11185-14610	BOLT 5 MM	2	10 ZL		
72	11157-73410	SPRING-CONNECTING A	1	10 ZL		
73	11157-14610	SPRING-CONNECTING B	1	10 ZL		
74	11147-73111	PLATE-CONNECTING A	1	9 ZL		
75	11147-14611	PLATE-CONNECTING B	1	9 ZL		
76	11116-14610	SLIDING	2	10 ZL		
77	11072-14610	WASHER 5 MM	2	10 ZL		
78	11190-73410	SPRING-RETURN A	1	10 ZL		
79	11190-112711	SPRING-RETURN A	1	10 ZL		Y
80	11190-10401	SPRING-RETURN B	1	10 ZL		
81	11190-112710	SPRING-RETURN B	1	10 ZL		Y
82	11240-25610	ROD-CONNECTING A	1	10 ZL		
83	11240-25611	ROD-CONNECTING B	1	10 ZL		
84	11091-10560	PISTON	4	10 ZL		
85	11351-10400	SLIDING-NOZZLE	2	9 ZL		

NISSAN MOTOR CO., LTD.

FIG. 8B

S KEY NO.	PART NO.	PART NAME	QTY	SALES UNIT	MODEL	ICA
86	11130-25610	WASHER-10	2	10 ZL		
87	10027-10400	SCREW-BET SLIDING	2	9 ZL		
88	11145-10400	SPRING-IDLE ADJUST	2	10 ZL		
89	11145-25610	NUT-IDLE ADJUST	2	10 ZL		
90	10399-25610	ASSY-NOZZLE, FRONT	1	2 ZL		
91	11395-25611	ASSY-NOZZLE, REAR	1	2 ZL		
92	11395-25610	ASSY-NOZZLE	2	2 ZL		
93	11395-25615	ASSY-NOZZLE	2	9 ZL	EXHAUST & EVAPU	
94	11147-25610	PLATE-CONNECTING, FRONT	1	9 ZL		
95	11147-25612	PLATE-CONNECTING, FRONT	1	9 ZL		
96	11147-25611	PLATE-CONNECTING, REAR	1	9 ZL		
97	11147-25613	PLATE-CONNECTING, REAR	1	9 ZL		
98	21199-50000	WASHER-40	2	10 ZL		
99	11123-14610	SLIDING	2	10 ZL		
100	21192-00470	SCREW-40	2	10 ZL		
101	21196-05060	WASHER-SPRING 40	2	100 ZL		
102	11114-25610	SCREW-ADJUST THROTTLE	2	10 ZL		
103	11103-10400	SPRING-ADJUST SCREW	2	9 ZL		
104	11324-10400	LIFTER-PISTON	2	10 ZL		
105	11326-10400	RING E	4	10 ZL		
106	11329-10400	SPRING-LIFTER	2	9 ZL		
107	11061-25610	ASSY-FLOAT	2	1 ZL		
108	11066-25610	SHAFT-FLOAT	2	10 ZL		
109	11064-10400	GASKET-FLOAT CHAMBER	2	10 ZL		
110	11064-22010	GASKET-FLOAT CHAMBER	2	10 ZL		Y

FIG. 8 G16 NISSAN MOTOR CO., LTD.

S	KEY NO.	PART NO.	PART NAME	QTY	SALES UNIT	MODEL	ICA
	111	1'101-25610	ASSY=VALVE+NEEDLE	2	10 ZL		
	111	1'094-25610	WASHER=00	2	10 ZL		
	111	1'108-16010	PULT=FILTER	2	5 ZL		
	114	1'094-76570	WASHER=170	4	10 ZL		
	111	1'111-35210	NIPPLE=FUEL	2	9 ZL EXC SRLU		
	111	1'111-66010	NIPPLE=FUEL	2	5 ZL EXC SRLU		Y
	117	1'111-25611	CONNECTOR FUEL FRONT	1	5 SRLU		
	111	1'111-A7715	NIPPLE FUEL (NOT FOR SALE)	1	SRLU		Y
	111	1'111-25610	VALVE FUEL RETURN ASSY REAR	1	1 SRLU		
	121	1'111-25613	VALVE FUEL RETURN ASSY REAR W/PACKET FOR 16010-25613	1	SRLU		
	121	1'111-A7710	VALVE FUEL RETURN ASSY REAR W/PACKET FOR 16010-25613	1	1 SRLU		Y
	121	1'111-A7711	VALVE FUEL RETURN ASSY REAR W/PACKET FOR 16010-25613	1	1 SRLU		Y
	121	1'111-A7712	VALVE FUEL RETURN ASSY REAR W/PACKET FOR 16010-25613	1	SRLU		Y
	121	1'111-25614	KIT BRACKET FUEL CONVE CTOR FOR 16010-25611	1	5 SRLU		
	121	1'111-25615	KIT BRACKET FUEL CONVE CTOR FOR 16010-25612	1	5 SRLU		N
	121	1'098-73451	FILTER	2	10 ZL		
	127	1'331-10400	SCREW=SET NIPPLE	2	10 ZL		
	121	1'335-10400	PACKING=10	4	10 ZL		
	121	1'129-73013	SCREW=50	2	10 ZL		

NISSAN MOTOR CO., LTD.

FIG. 8 B

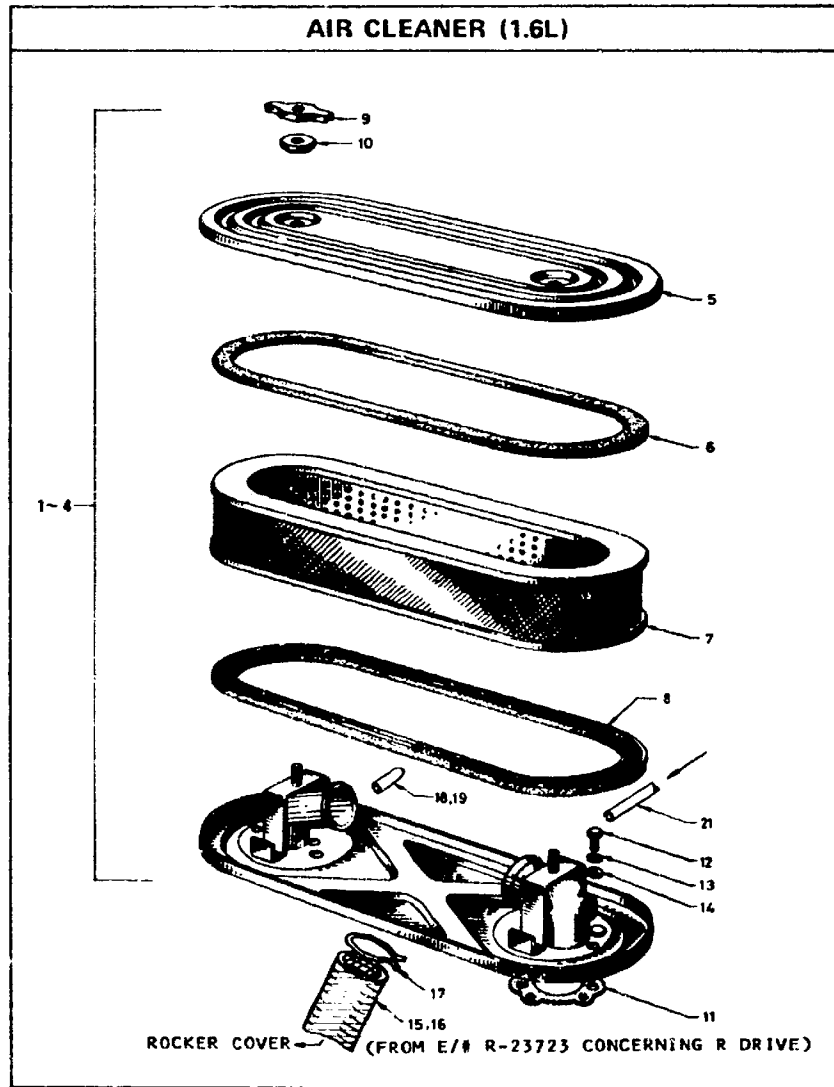
S	KEY NO.	PART NO.	PART NAME	QTY	SALES UNIT	MODEL	ICA
	131	2'502-30800	WASHER=SPRING	2	10 ZL		
	131	1'631-10560	PLUG=DRAIN	2	10 ZL		
	131	1'631-A8710	PLUG=DRAIN	2	10 ZL		Y
	131	1'660-10400	WASHER=00	2	10 ZL		
	134	1'357-12210	SLEEVE	2	10 ZL		
	131	1'359-12210	NUT=SLEEVE	2	10 ZL		
	131	1'356-12210	PIPE=FUEL	2	10 ZL		
	137	1'356-25610	PIPE=FUEL	2	9 ZL		
	131	1'356-12211	CLIP	4	10 ZL		
	137	1'358-14310	CLIP	4	10 ZL		Y
	141	1'217-25610	WASHER	2	10 ZL		
	141	1'227-25610	ADAPTER=GUN,FRONT	1	10 ZL		
	142	1'227-25611	ADAPTER=GUN,REAR	1	10 ZL		
	141	1'322-25610	BOLT=00	2	10 ZL		
	144	1'228-25610	WASHER=00	2	10 ZL		
	141	1'218-25610	WASHER=00	2	10 ZL		
	146	2'203-50800	WASHER=SPRING	2	50 ZL		
	147	1'137-A7810	PLATE=STOPPING FOR 16010-A7801	1	5 ZL		
	141	1'136-A7810	BRACKET FOR 16010-A7801	1	5 ZL		
	141	1'136-A7710	LEVEL=LOCK FOR 16010-A7801	2	10 ZL		
	151	1'098-25610	NUT=00	2	10 ZL		
	151	1'341-25610	ASSY=HYDROM	2	2 ZL		
	151	1'341-10410	NUT=OIL CAP	2	10 ZL		
	151	1'342-10400	PACKING=100	2	5 ZL		

FIG. 8B H1 NISSAN MOTOR CO., LTD.

S	KEY NO.	PART NO.	PART NAME	QTY	SALES UNIT	MODEL	ICA
	156	14343-12210	PLUNGER-OIL DAMPER	2	5 2L		
	155	14344-10400	WASHER	2	5 2L		
	156	14345-10400	RING-C	2	10 2L		
	157	14346-25610	SPRING-SUCTION	2	10 2L		
	158	14347-10400	PACKING	2	9 2L		
	159	14354-25610	JET-NEEDLE (N-19)	2	10 2L		
	150	14354-25611	JET-NEEDLE	2	10 2L		
	161	14354-A7810	JET-NEEDLE (N-25) FOR 16010-A7801	2	10 2L		
	162	14219-10400	SCREW-SET NEEDLE JET	7	10 2L		
	163	14129-73013	SCREW-50	9	10 2L		
	164	27502-30000	WASHER-SPRING	8	10 2L		
	165	14263-25610	SEAL	4	10 2L		
	166	14293-A7810	KIT-CHAMBER THROTTLE FRONT CARB FOR 16010-A7801	1	1 2L EXHAUST & EVAPO		
	167	14293-A7810	KIT-CHAMBER THROTTLE REAR CARB FOR 16010-A7801	1	1 2L EXHAUST & EVAPO		

FIG. 9 H2

NISSAN MOTOR CO., LTD.



MARCH, 1972

F9 - 1

Printed in Japan

NISSAN MOTOR CO., LTD.

FIG. 9

S	KEY NO.	PART NO.	PART NAME	QTY	SALES UNIT	MODEL	ICA
			AIR CLEANER (1.6L)				
	1	1'500-14700	ASSY-CLEANER, AIR (FROM E/# R-23723)	1	1	U.S.A. ONLY	
	2	1'530-14600	ASSY-CLEANER, AIR	1	1	1.6L (EXC. U.S.A.)	
	3	1'500-14700	ASSY-CLEANER, AIR (FROM E/# R-23723)	1	1	1.6L EXC. EVAPU	IC
	4	1'500-67700	ASSY-CLEANER, AIR (FROM JULY-69)	1	1	1.6L EVAPU	
	5	1'576-12200	ASSY-COVER, UPPER	1	1	1.6L	
	6	1'547-12200	PACKING	1	5	1.6L	
	7	1'546-12200	ASSY-ELEMENT	1	1	1.6L	
	8	1'547-12200	PACKING	1	5	1.6L	
	9	1'551-08000	NUT-WING	2	10	1.6L	
	10	1'560-08000	PACKING	2	10	1.6L	
	11	1'523-12200	GASKET-CARBURETOR TO AIR CLEANER	2	5	1.6L	
	12	0'114-91610	BOLT TO FIX CARBURETOR TO AIR CLEANER	4	50	1.6L	
	13	0'915-11510	WASHER-LOCK TO FIX CARBURETOR TO AIR CLEANER	4	50	1.6L	
	14	0'915-41510	WASHER-PLAIN TO FIX CARBURETOR TO AIR CLEANER	4	50	1.6L	
	15	1'573-17370	HOSE-ROCKER COVER TO AIR CLEANER	1	1	USA	
	16	1'571-14700	ASSY-HOSE, ROCKER COVER TO AIR CLEANER (FROM E/# R-23723)	1	5	1.6L	Y
	17	1'572-10801	CLAMP-HOSE	2	10	U.S.A. ONLY	

REVISED: MARCH, 1972

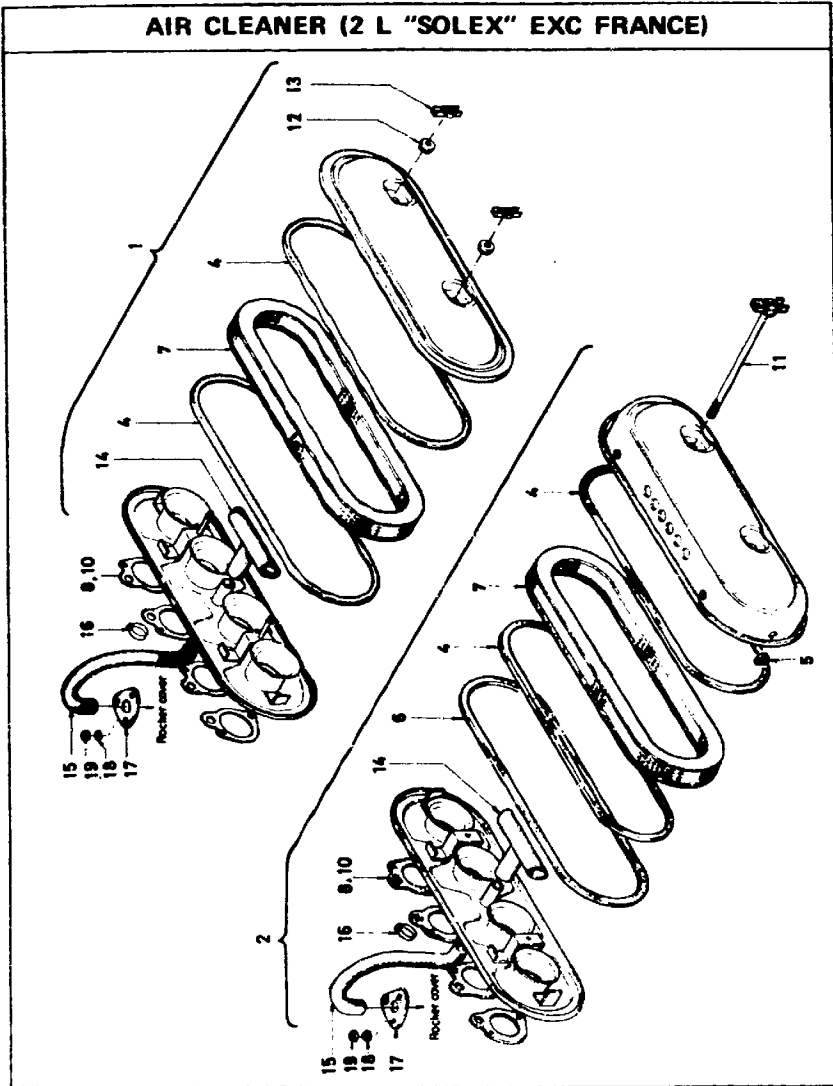
9 - 1

Printed in Japan

FIG. 9 H3 NISSAN MOTOR CO., LTD.

S	KEY NO.	PART NO.	PART NAME	QTY	SALES UNIT	MODEL	ICA
•	1E	00933-13000	PLUG-WELCH	1	10	U.S.A. ONLY	
	10	00933-13010	PLUG-WELCH	1	10	U.S.A. ONLY	Y
	20	16033-A7400	CAP AIR CLEANER (FROM OCT-69)	1	10	1.6L EVAP0	
	21	16032-A7700	TUBE-CARD TO AIR CLEAN EX	1	5	1.6L EVAP0	

FIG. 9A-1 H4 NISSAN MOTOR CO., LTD.



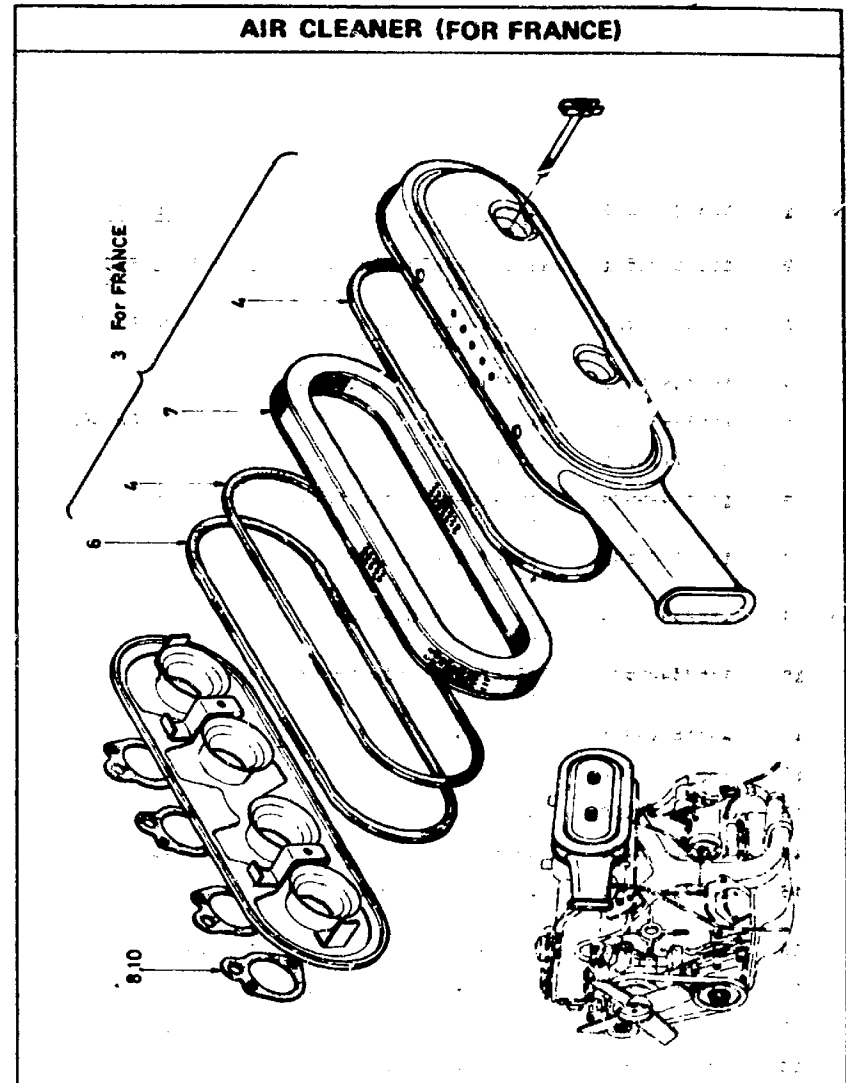
JUNE, 1969

F9A-1

Printed in Japan

NISSAN MOTOR CO., LTD.

FIG. 9A-2



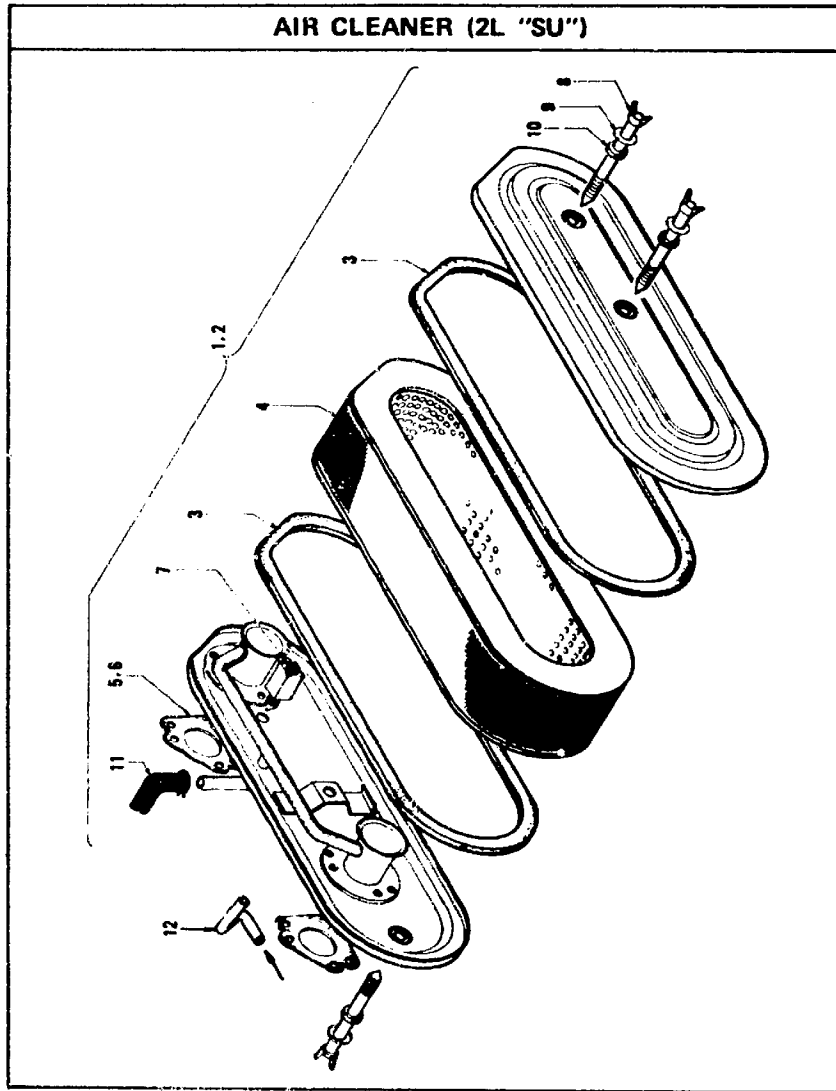
JUNE, 1969

F9A-2

Printed in Japan

FIG. 9A H5 NISSAN MOTOR CO., LTD.

S	KEY NO.	PART NO.	PART NAME	QTY	SALES UNIT	MODEL	ICA
			AIR CLEANER (2L "SOLEX")				
•	1	16500-25500	ASSY-CLEANER, AIR FOR SOLEX CARBURETOR	1	1	2L EXC FRANCE	
	2	16500-25501	ASSY-CLEANER, AIR FOR SOLEX CARBURETOR	1	1	2L EXC FRANCE	
	3	16500-25502	ASSY-CLEANER, AIR FOR SOLEX CARBURETOR	1	1	2L FRANCE	Y
	4	16536-25500	PACKING-UPPER & LOWER	2	5	2L	
	5	16540-25501	PACKING	5	10	2L FRANCE	
	6	16547-25501	PACKING	1	5	2L	
	7	16546-25500	ASSY-ELEMENT, AIR CLEANER	1	1	2L	
	8	16523-20100	GASKET AIR CLEANER TO CAB	4	10	2L	
•	9	16523-25500	GASKET AIR CLEANER TO CAB	4	10	2L	Y
	10	16523-25501	GASKET AIR CLEANER TO CAB	4	10	2L	Y
	11	16516-25501	ASSY-CENTER BOLT	2	5	2L	
	12	16560-00000	PACKING	2	10	2L	
	13	16551-00000	NUT-WING	2	10	2L	
	14	16580-25500	HOSE-BREATHING PIPE	1		2L	
	15	16571-25500	HOSE-ROCKER COVER TO AIR CLEANER	1	5	2L	
	16	16572-10001	CLAMP-HOSE	1	10	2L	
	17	16560-25500	PACKING-COVER TO HOSE	1	10	2L	
	18	08915-13610	WASHER-SPRING M6	3	50	2L	
	19	08911-10010	NUT-HEXAGON M6 X 1.0	3	50	2L	



KEY NO.	PART NO.	PART NAME	QTY	SALES UNIT	MODEL	ICA
AIR CLEANER (2L "SU")						
1	16500-25600	ASSY-AIR CLEANER FOR SU	1	1	2L EXC EVAPO	
2	16500-A7800	ASSY-AIR CLEANER FOR SU	1	1	2L EVAPO	
3	16536-25600	PACKING-UPPER & LOWER	2	5	2L	
4	16546-25600	ELEMENT-PAPER	1	1	2L	
5	16523-25600	PACKING	2	10	2L	
6	16523-E3210	PACKING	2	10	2L	
7	16517-25600	CONNECTOR-SCREW	1	10	2L	
8	16516-25600	BOLT-CENTER	3	10	2L	
9	16555-37500	RETAINER	3	10	2L	
10	16548-37500	PACKING	3	10	2L	
11	16500-25600	HOSE-RUBBER	1	5	2L	
12	16631-A7800	TUBE-CARB TO AIR CLEANER	1		2L	

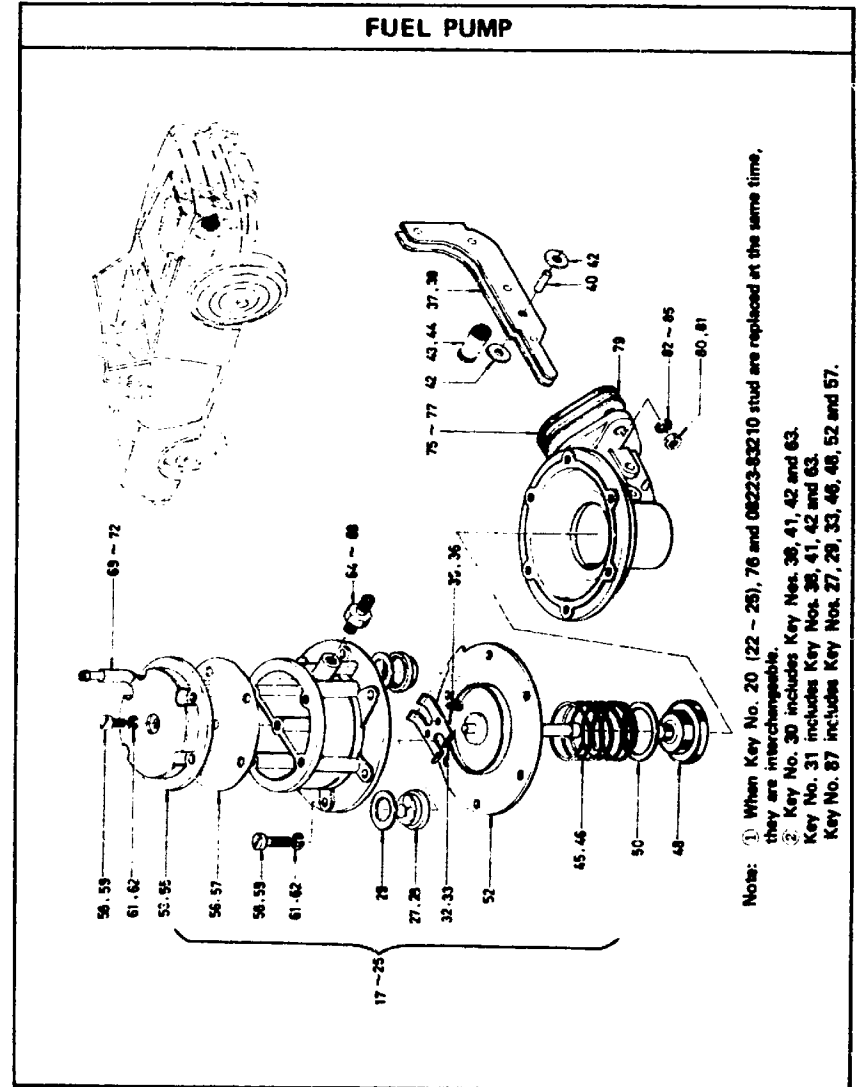
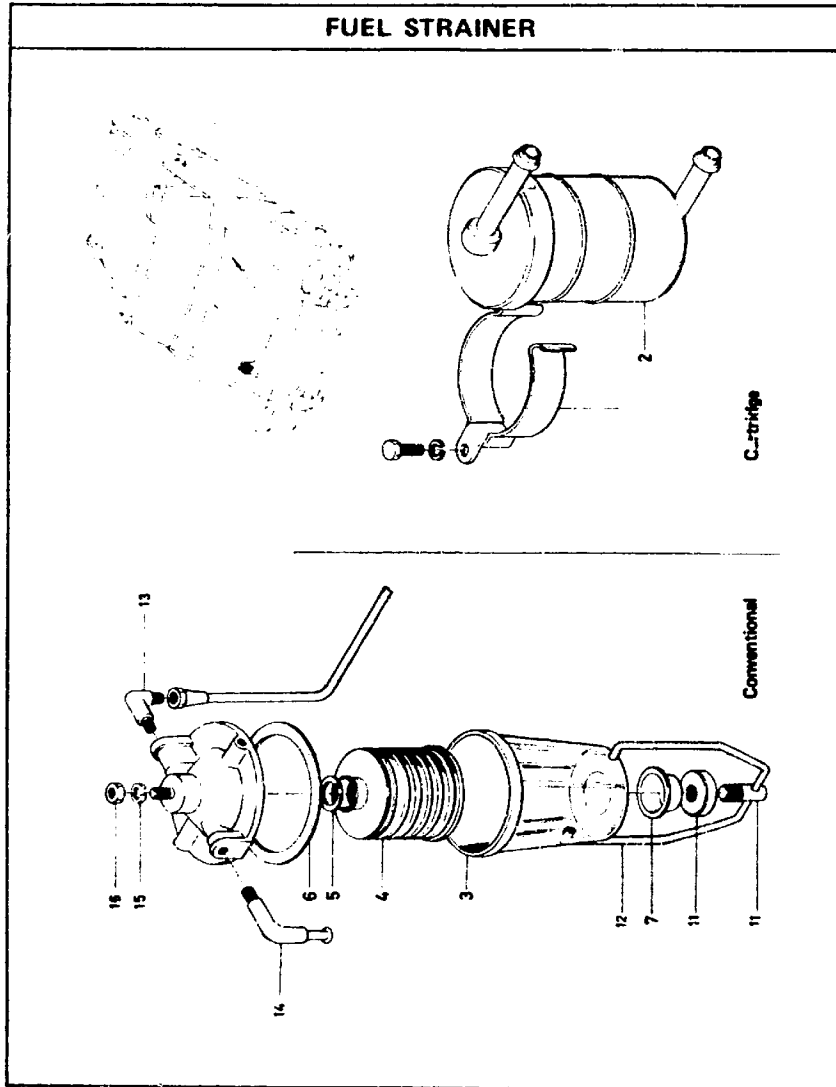


FIG. 10 H8 NISSAN MOTOR CO., LTD.

S	KEY NO.	PART NO.	PART NAME	QTY	SALES UNIT	MODEL	ICA
FUEL STRAINER & PUMP							
1		14400-12200	FUEL STRAINER (TO SEP-67)	1	1	ALL	
2		14400-25900	FUEL STRAINER, CARTRIDGE TYPE (FROM OCT-67)	1	1	ALL	N
3		14402-50000	GLASS-BOWL (TO SEP-67)	1	5	ALL	
4		14403-50000	ASSY-ELEMENT (TO SEP-67)	1	10	ALL	
5		14406-50000	PACKING-ELEMENT (TO SEP-67)	1	50	ALL	
6		14407-67250	PACKING-STRAINER (TO SEP-67)	1	50	ALL	
7		14408-85060	WASHER (TO SEP-67)	1	10	ALL	
8		14409-85060	BOLT (TO SEP-67)	1	10	ALL	
9		14410-05060	NUT (TO SEP-67)	1		ALL	
10		14410-58000	NUT (TO SEP-67)	1	10	ALL	Y
11		14410-14200	NUT (TO SEP-67)	1	10	ALL	Y
12		14411-07261	WIRE (TO SEP-67)	1	5	ALL	
13		14233-85160	ELBOW-INLET (TO SEP-67)	1	10	ALL	
14		17103-12200	CONNECTOR-PUMP TO STRAINER (TO SEP-67)	1	5	ALL	
15		04915-11610	WASHER-LOCK (TO SEP-67)	1	50	ALL	
16		04911-14610	NUT FOR STRAINER (TO SEP-67)	1	50	ALL	
17		17010-12201	ASSY-FUEL PUMP(SHOWA) (TO E/P R-40080)	1	1	1.6L	

NISSAN MOTOR CO., LTD.

FIG. 10

S	KEY NO.	PART NO.	PART NAME	QTY	SALES UNIT	MODEL	ICA
18		17010-10810	ASSY-FUEL PUMP(SHOWA) (FROM E/P R-40081 TO E/P R-59198)	1	1	1.6L	N
19		17010-10815	ASSY-FUEL PUMP(KYOSAN) (FROM E/P R-40081 TO E/P R-59198)	1	1	1.6L	
20		17010-10820	ASSY-FUEL PUMP(KYOSAN) (FROM E/P R-59199)	1	1	1.6L	C
21		17010-14600	ASSY-FUEL PUMP(SHOWA) (TO E/P U2C-02691)	1		2L	
22		17010-14610	ASSY-FUEL PUMP(KYOSAN) (FROM E/P U2C-02692)	1	1	2L (EXC SRLU)	C
23		17010-14611	ASSY-FUEL PUMP (FROM E/P U2C-02692)	1		2L (EXC SRLU)	Y
24		17010-25910	ASSY-FUEL PUMP(KYOSAN) (FROM E/P U2C-02692)	1	1	SRLU	C
25		17010-25911	ASSY-FUEL PUMP (FROM E/P U2C-02692)	1		SRLU	Y
26		17065-50000	ASSY-VALVE, FUEL PUMP (SHOWA)	2	10	ALL	
27		17065-52000	ASSY-VALVE, FUEL PUMP (SHOWA)	2	5	ALL	Y
28		17065-13210	ASSY-VALVE (KYOSAN)	2	10	ALL	Y
29		17061-50000	ASSY-PACKING, VALVE	2	50	ALL	
30		17013-76210	ASSY-BODY, LOWER (FOR 17010-14610)	1	1	2L (EXC SRLU)	
31		17013-C0710	ASSY-BODY, LOWER (FOR 17010-25910)	1	1	SRLU	
32		17072-01300	RETAINER-VALVE (SHOWA)	1	10	ALL	
33		17072-32200	RETAINER-VALVE (KYOSAN)	1	10	ALL EXC SRLU	
34		17072-73410	RETAINER VALVE (KYOSAN)	1	10	SRLU	
35		17075-30100	SCREW-RETAINER (SHOWA)	2	10	ALL	

FIG. 10 H9 NISSAN MOTOR CO., LTD.

S	KEY NO.	PART NO.	PART NAME	QTY	SALES UNIT	MODEL	ICA
	36	17075-13210	SCPLN=RETAINER(KYOSAN)	1	10	ALL	
	37	17015-32200	ASSY=ARM,ROCKER(TO E/F R=59198,E/F# U20-02691)	1	5	ALL	
	38	17015-14610	ASSY=ROCKER ARM(KYOSAN)(FROM E/F# U20-2692)	1	5	ALL	N
	39	17019-50000	PIN=SIDE ROCKER ARM (TO E/F# R=59198,E/F#U20-02691)	1	10	ALL	
	40	17019-00100	PIN=SIDE ROCKER ARM (TO E/F# R=59198,E/F#U20-02691)	1	10	ALL	Y
	41	17019-14610	PIN=SIDE ROCKER ARM (KYOSAN)(NOT FOR SALE)	1	10	ALL	N
	42	17016-00100	SPACER=SIDE ROCKER ARM (NOT FOR SALE)	2	10	ALL	
	43	17020-00100	SPRING=ROCKER ARM	1	10	ALL	
	44	17020-05060	SPRING=ROCKER ARM(KYOSAN)(FROM E/F# U20-2692)	1	50	ALL	
	45	17051-32200	SPRING=DIAPHRAGM (SHOWA)	1	5	ALL	
	46	17052-73410	SPRING=DIAPHRAGM (KYOSAN)	1	5	ALL	
	47	17048-56700	SEAL=LOWER BODY(SHOWA)	1	1	ALL	
	48	17048-13910	SEAL-OIL (KYOSAN)	1	10	ALL	Y
	49	17047-36700	WASHER=SEAL,LOWER BODY	1	10	ALL	
	50	17047-13910	RETAINER-OIL SEAL(KYOSAN)(FROM E/F#R=59199,U20-2692)	1	10	ALL	Y
	51	17053-32200	ASSY=DIAPHRAGM	1		ALL	
	52	17053-32201	ASSY=DIAPHRAGM	1	2	ALL	Y
	53	17082-01000	CAP=FUEL PUMP (SHOWA)	1	1	ALL	
	54	17082-12210	CAP=FUEL PUMP (KYOSAN)	1	1	ALL EXC SRLU	

NISSAN MOTOR CO., LTD.

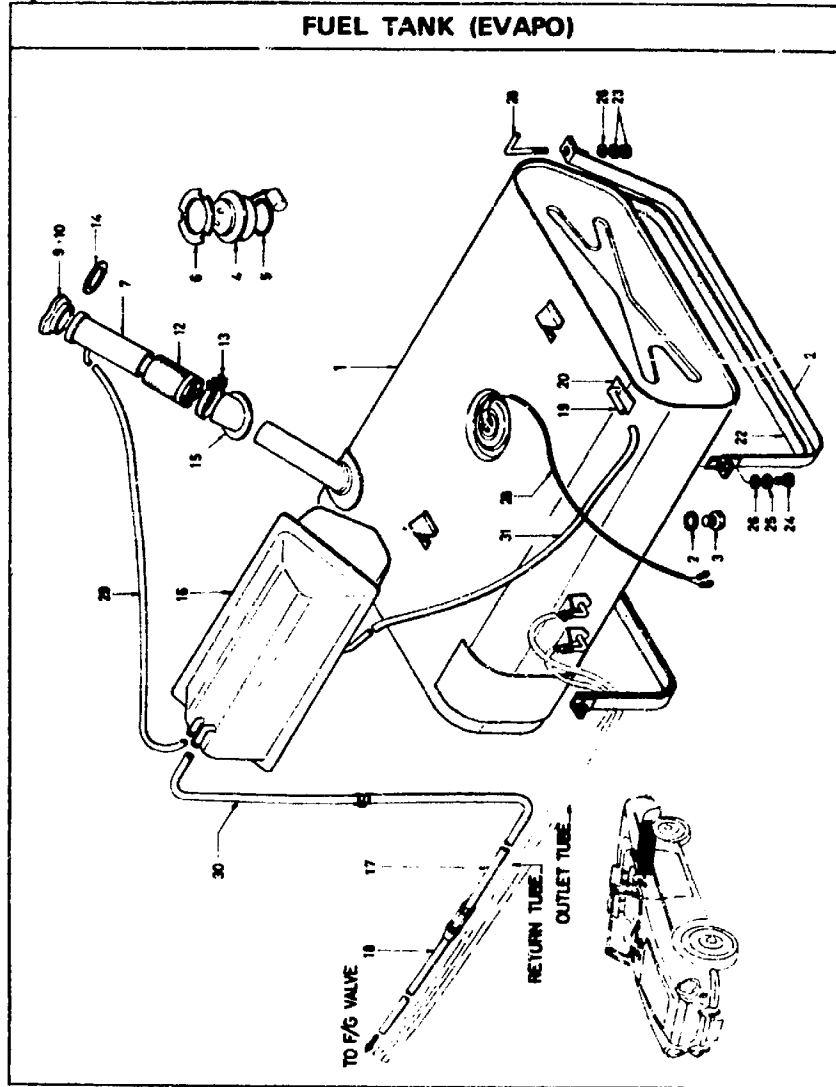
FIG. 10

S	KEY NO.	PART NO.	PART NAME	QTY	SALES UNIT	MODEL	ICA
	55	17082-73410	CAP=FUEL PUMP(KYOSAN)	1	2	SRLU	
	56	17076-61802	PACKING=CAP(SHOWA)	1	5	ALL	
	57	17076-13211	PACKING=CAP (KYOSAN)	1	5	ALL	Y
	58	17089-58800	SCRLM (SHOWA)	11	50	ALL	
	59	17089-13210	SCRLM (KYOSAN)	11	10	ALL EXC SRLU	
	60	17089-32200	SCRLM(KYOSAN)	1		SRLU	
	61	17090-50000	WASHER=SPRING (SHOWA)	11	10	ALL	
	62	17090-32200	WASHER=SPRING (KYOSAN)	11	10	ALL	
	63	17095-14610	BALL(KYOSAN)(FROM E/F# U20-2692)(NOT FOR SALE)	2	10	ALL	
	64	17103-85860	CONNECTOR	1	10	1.6L	
	65	17103-10810	CONNECTOR(FROM E/F# R=6001)	1	5	1.6L	N
	66	08712-14450	CONNECTOR(FROM E/F# R=59199)	1	10	1.6L	N
	67	17103-10810	CONNECTOR(FROM E/F# U20-2692)	1	5	2L EXC SRLU	
	68	17103-65800	CONNECTOR(FROM E/F# U20-2692)	1	5	SRLU	
	69	17103-12200	ELRUM	1	5	ALL	
	70	17103-12200	ELRUM=CONNECTOR(FROM E/F# R=59199,U20-2692)	1	5	1.6L & SRLU	
	71	16430-65800	ELRUM=CONNECTOR(FROM E/F# U20-2692)	1	5	2L EXC SRLU	
	72	17103-00600	FLOOR=CONNECTOR	1	5	2L EXC SRLU	Y
	73	17099-72600	PACKING=FUEL PUMP	2	100	ALL	
	74	17099-21000	PACKING=FUEL PUMP	2	10	ALL	Y
	75	17099-21001	PACKING=FUEL PUMP	2	10	ALL	Y

FIG. 10 H10 NISSAN MOTOR CO., LTD.

S	KEY NO.	PART NO.	PART NAME	QTY	SALES UNIT	MODEL	ICA
•	71	17099-69800	PACKING-FUEL PUMP	2	10	ALL	C
	77	17099-21002	PACKING-FUEL PUMP	2	10	ALL	Y
•	7F	16420-72600	SPACER-FUEL PUMP TO CYLINDER BLOCK	1	5	ALL	
•	79	16420-21070	SPACER-FUEL PUMP TO CYLINDER BLOCK	1	5	ALL	Y
	80	16420-21001	SPACER-FUEL PUMP TO CYLINDER BLOCK	1	5	ALL	Y
	81	07911-14510	NUT TO ATTACH FUEL PUMP TO CYLINDER BLOCK	2	50	1.6L	
	82	07911-20810	NUT TO ATTACH FUEL PUMP TO CYLINDER BLOCK	2	50	2L	
	83	07915-11510	WASHER-LOCK TO ATTACH FUEL PUMP TO CYLINDER BLOCK	2	50	1.6L	
	84	07915-13810	WASHER-SPRING NB TO ATTACH FUEL PUMP TO CYLINDER BLOCK	2	50	2L	
	85	07915-43810	WASHER-PLAIN NB TO ATTACH FUEL PUMP TO CYLINDER BLOCK	2	50	2L	
✓	86	X7010-12225	KIT-REPAIR,FUEL PUMP(KHUNA)	1		ALL	
	87	17010-12226	KIT-REPAIR,FUEL PUMP	1	1	ALL	Y
✓	88	X7010-12276	KIT-REPAIR,FUEL PUMP(KYOSAN)	1		ALL	

FIG. 10A H11 NISSAN MOTOR CO., LTD.



DECEMBER, 1970

F10A-1

Printed in Japan

NISSAN MOTOR CO., LTD.

FIG. 10A

S	KEY NO.	PART NO.	PART NAME	QTY	SALES UNIT	MODEL	ICA
FUEL TANK (EVAPO) EVAPO signifies CALIFORNIA in USA.							
	1	17201-A7000	ASSY-TANK FUEL	1	1	EVAPU	
	2	17312-20500	GASKET DRAIN SEAT	1	10	EVAPU	
	3	00931-44010	PLUG DRAIN FUEL TANK	1	10	EVAPU	
	4	25800-14601	GAUGE-FUEL TANK	1	1	EVAPU	
	5	17342-18000	O RING FUEL GAUGE	1	10	EVAPU	
	6	17343-14001	PLATE LOCK FUEL GAUGE	1	5	EVAPU	
	7	17218-A7000	ASSY TUBE INLET FUEL TANK	1		EVAPU	
	8	17220-A7000	TUBE INLET TUBE TO RESERVOIR TANK (NOT ADOPTED)	1		EVAPU	
	9	17251-A7000	ASSY CAP FILLER	1	1	EVAPU	
	10	17251-A7001	ASSY CAP FILLER	1		EVAPU	Y
	11	17229-14000	HOSE FUEL TANK	1		EVAPU	
	12	17229-08000	HOSE FUEL TANK	1	5	EVAPU	Y
	13	21503-19900	CLAMP-HOSE	2	5	EVAPU	
	14	17455-25760	GROMMET RUBBER	1	10	EVAPU	
	15	17456-25900	GROMMET RUBBER	1	5	EVAPU	
	16	17350-A7000	ASSY-TANK RESERVOIR	1	1	EVAPU	
	17	17508-A7000	ASSY-TUBE AIR SUPPLIER FRONT	1	1	EVAPU	
	18	17509-A7000	ASSY-TUBE AIR SUPPLIER REAR	1	1	EVAPU	
	19	17225-A7000	ASSY TUBE VENTILATION (NOT FOR SALE)	1		EVAPU	

REVISED 1969, DECEMBER

10-A- 1

Printed in Japan

FIG. 10A H12 NISSAN MOTOR CO., LTD.

S	KEY NO.	PART NO.	PART NAME	QTY	SALES UNIT	MODEL	ICA
•	20	17227-A7800	PLATE VENTILATION TUBE (NOT FOR SALE)	1		EVAP0	
	21	17406-25900	ASSY-BAND,FUEL TANK MOUNTING	2	1	EVAPJ	
	22	17416-10400	PAD FUEL TANK MOUNTING	4	5	EVAP0	
	23	00911-34910	NUT	4	50	EVAP0	
	24	00114-51810	BOLT	2	50	EVAP0	
	25	00915-11510	WASHER-LOCK	2	50	EVAP0	
	26	00915-41510	WASHER-PLAIN	4	50	EVAP0	
	27	17425-14600	BOLT-BAND,GAS TANK	2	10	EVAP0	
	28	24017-25900	ASSY CABLE,FUEL GAUGE	1	1	EVAP0	
	29	17518-A7800	TUBE FLEXIBLE RUBBER (L=1650)	1	5	EVAP0	
	30	17519-A7800	TUBE FLEXIBLE RUBBER (L=630)	1	5	EVAP0	
	31	17518-14600	TUBE FLEXIBLE RUBBER	1	5	EVAP0	
	32	16439-A0600	HOSE CLAMP	4	10	EVAP0	
	33	24210-89920	CLIP	3	5	EVAP0	

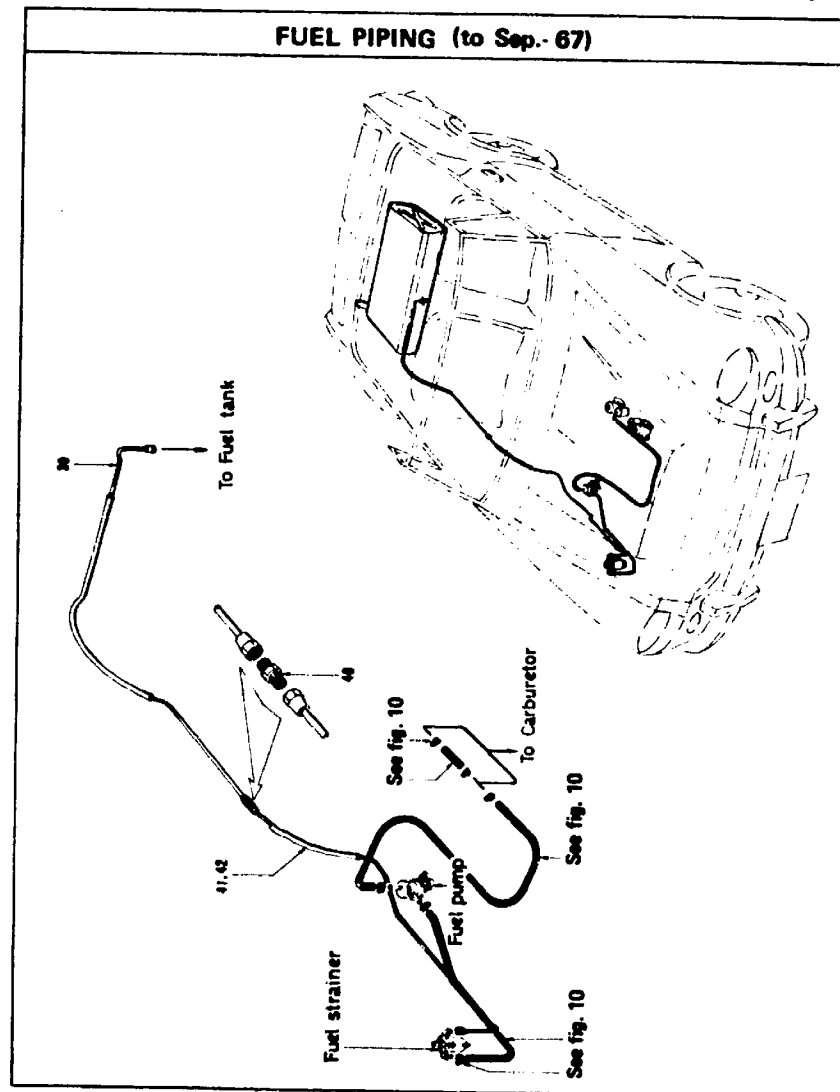
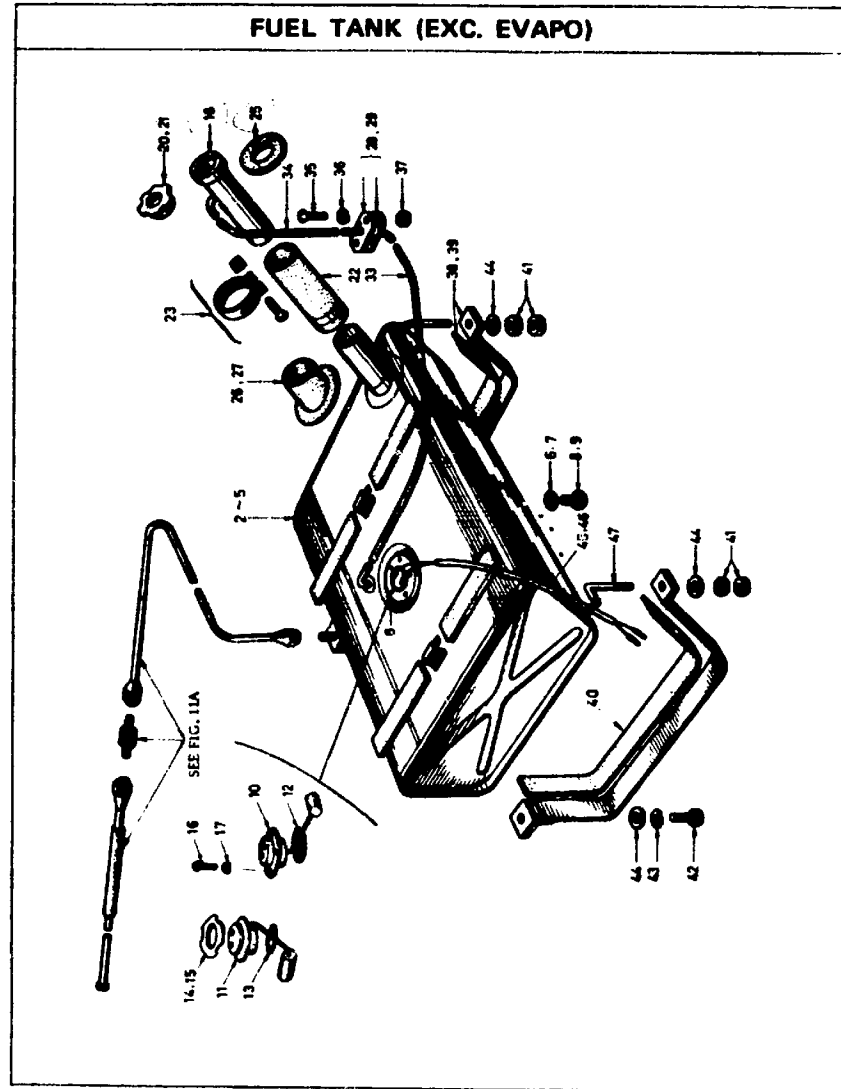
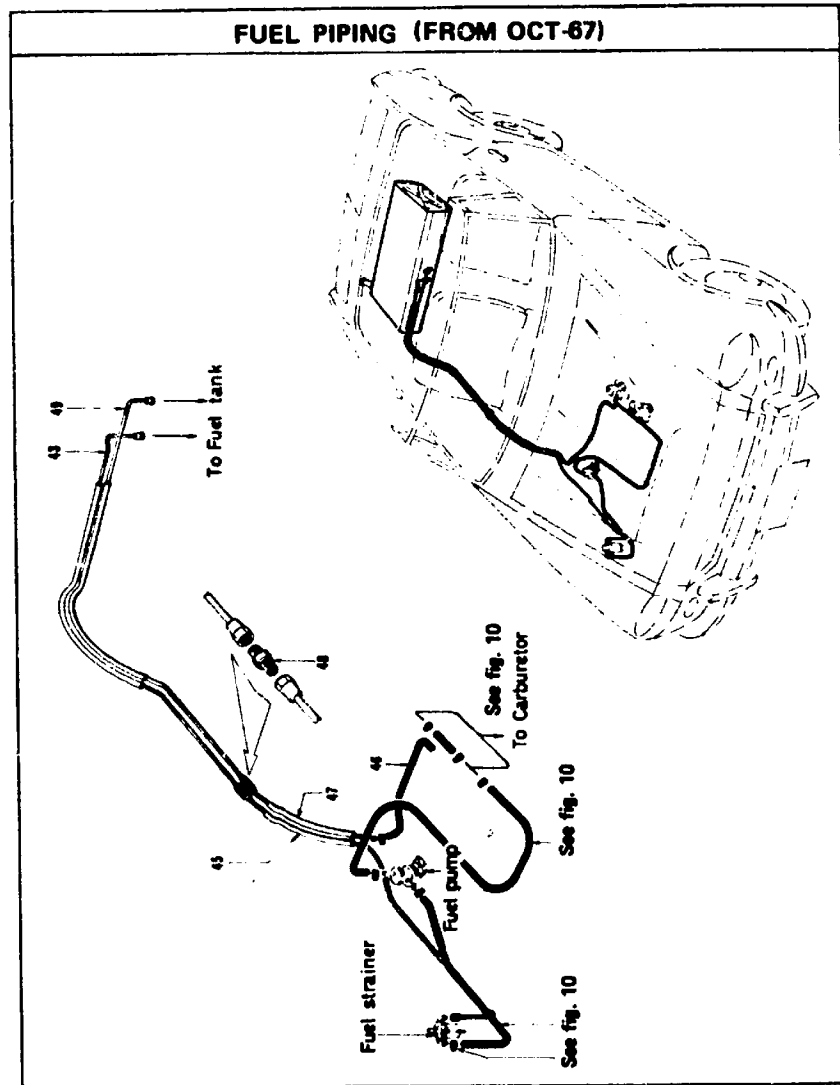


FIG. 11-3 H14 NISSAN MOTOR CO., LTD.



NISSAN MOTOR CO., LTD.

FIG. 11

S	KEY NO.	PART NO.	PART NAME	QTY	SALES UNIT	MODEL	ICA
			FUEL TANK (EXC. EVAPO) <u>EVAPO signifies CALIFORNIA in USA.</u>				
•	1	17201-14601	ASSY-TANK,FUEL(TO E/S R=40000)	1		1.6L EXC EVAPO	
	2	17201-14602	ASSY-FUEL TANK (FROM E/S R=40001 TO SEP-67)	1	1	ALL EXC EVAPO	Y
	3	17201-25900	ASSY-FUEL TANK (FROM OCT-67)	1	1	ALL EXC USA	N
•	4	17201-26000	ASSY-FUEL TANK (FROM OCT-67)	1	1	USA EXC EVAPO	N
	5	17201-A3300	ASSY-FUEL TANK	1	1	USA EXC EVAPO	Y
	6	17300-61000	GASKET-DRAIN SEAT(TO E/S R=40000)	1	10	1.6L EXC EVAPO	
	7	17312-20500	GASKET-DRAIN SEAT(FROM E/S R=40001)	1	10	ALL EXC EVAPO	Y
	8	17310-61000	PLUG-DRAIN,FUEL TANK(TO E/S R=40000)	1	5	1.6L EXC EVAPO	
	9	00031-44010	PLUG-DRAIN,FUEL TANK(FROM E/S R=40001)	1	10	ALL EXC EVAPO	Y
	10	25000-14600	GAUGE-FUEL TANK(TO E/S R=40000)	1	2	ALL EXC EVAPO	
	11	25040-14601	GAUGE-FUEL TANK(FROM E/S R=40001)	1	1	ALL EXC EVAPO	N
	12	17203-10900	GASKET-GAUGE (TO SEP-67)	1	5	ALL EXC EVAPO	
	13	17342-10000	O RING-FUEL GAUGE(FROM E/S R=40001)	1	10	ALL EXC EVAPO	Y
•	14	17343-14800	PLATE-LOCK,FUEL GAUGE (FROM E/S R=40001)	1		ALL EXC EVAPO	N
	15	17343-14801	PLATE-LOCK,FUEL GAUGE (FROM E/S R=40001)	1	5	ALL EXC EVAPO	Y

FIG. 11 H15 NISSAN MOTOR CO., LTD.

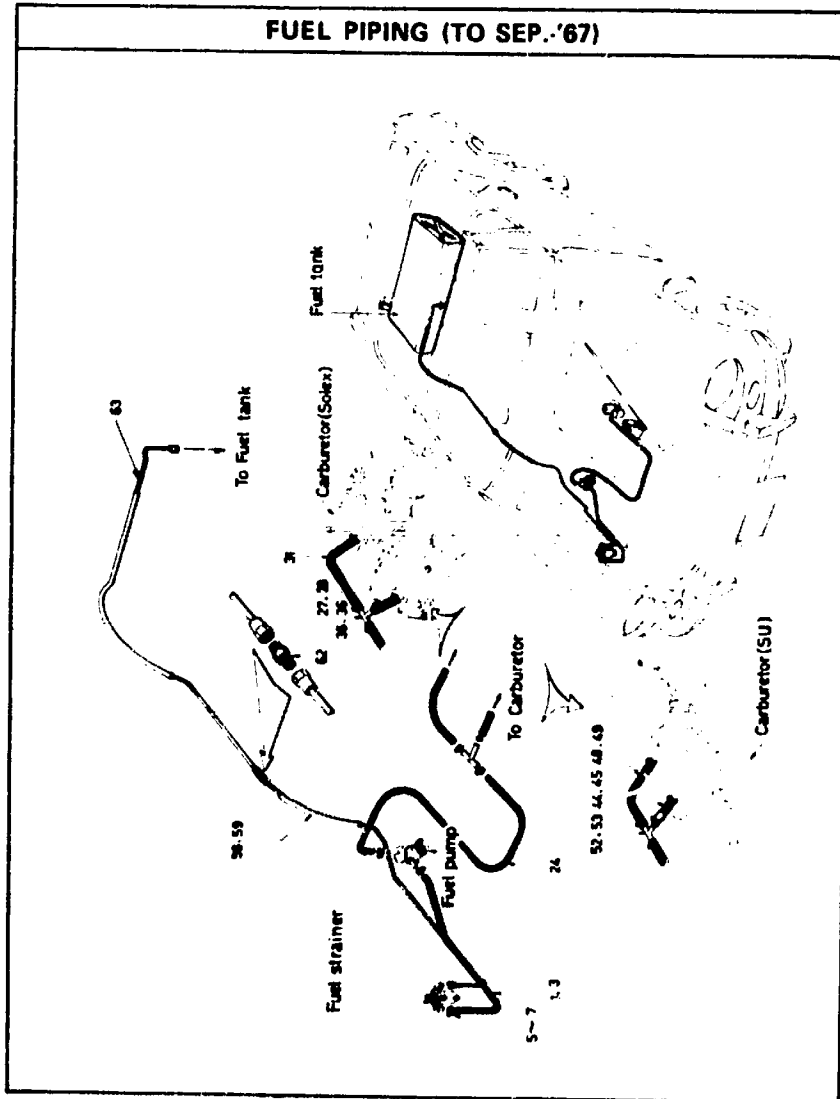
S	KEY NO.	PART NO.	PART NAME	QTY	SALES UNIT	MODEL	ICA
	16	07310-21210	SCREW-GAUGE (TO SEP-67)	9	90	ALL EXC EVAPO	
	17	07919-10010	WASHER-GAUGE (TO SEP-67)	9	90	ALL EXC EVAPO	
	18	17210-10400	ASSY-TUBE, INLET, FUEL TANK	1	1	ALL EXC EVAPO	
	19	17291-04101	ASSY-CAP, FILLER	1	1	1.6L EXC EVAPO	
	20	17291-09501	ASSY-CAP, FILLER (TO E/M P-40000)	1	1	1.6L EXC EVAPO	Y
	21	17291-25900	ASSY-CAP, FILLER (FROM F/M N-40001)	1	1	ALL EXC EVAPO	N
	22	17220-06000	HOSE-FUEL TANK (INLET TUBE TO FILLER)	1	9	ALL EXC EVAPO	
	23	21505-11600	CLAMP-HOSE	2	1	ALL EXC EVAPO	
	24	21505-10900	CLAMP-HOSE	2	9	ALL EXC EVAPO	Y
	25	17499-29700	GROMMET-RUBBER	1	10	ALL EXC EVAPO	
	26	17496-10400	GROMMET-RUBBER (TO SEP-67)	1	9	ALL EXC EVAPO	
	27	17496-25900	GROMMET-RUBBER (FROM OCT-67)	1	9	ALL EXC EVAPO	N
	28	17234-10400	ASSY-TUBE, VENTILATION, MIDDLE	1	1	ALL EXC EVAPO	
	29	17234-10401	ASSY-TUBE, VENTILATION, MIDDLE	1	9	ALL EXC EVAPO	Y
	30	07723-11400	CLAMP-HOSE	4	10	ALL EXC EVAPO	
	31	17430-22100	CLAMP-HOSE	1	10	ALL EXC EVAPO	
	32	17227-10400	PACKING-VENTILATION, TUBE	1	1	ALL EXC EVAPO	

NISSAN MOTOR CO., LTD.

FIG. 11

S	KEY NO.	PART NO.	PART NAME	QTY	SALES UNIT	MODEL	ICA
	33	17231-10400	HOSE-VENTILATION TUBE, LOWER	1	2	ALL EXC EVAPO	
	34	17232-10400	HOSE-VENTILATION TUBE, UPPER	1	9	ALL EXC EVAPO	
	35	07914-01210	SCREW	2	90	ALL EXC EVAPO	
	36	07919-11010	WASHER-LOCK	2	90	ALL EXC EVAPO	
	37	07911-14010	NUT	2	90	ALL EXC EVAPO	
	38	17406-14400	ASSY-BAND, FUEL TANK MOUNTING (TO SEP-67)	2	1	ALL EXC EVAPO	
	39	17406-25900	ASSY-BAND, FUEL TANK MOUNTING (FROM OCT-67)	2	1	ALL EXC EVAPO	N
	40	17416-10400	PAD-FUEL TANK MOUNTING	4	9	ALL EXC EVAPO	
	41	07911-34910	NUT	4	90	ALL EXC EVAPO	
	42	00114-51010	BOLT	2	90	ALL EXC EVAPO	
	43	00919-11910	WASHER-LOCK	2	90	ALL EXC EVAPO	
	44	07919-61910	WASHER-PLAIN	4	90	ALL EXC EVAPO	
	45	24017-14400	ASSY-CABLE, FUEL GAUGE (TO SEP-67)	1	1	ALL EXC EVAPO	
	46	24017-25900	ASSY-CABLE, FUEL GAUGE (FROM OCT-67)	1	1	ALL EXC EVAPO	N
	47	17429-14400	BOLT-BAND, GAS TANK	2	10	ALL EXC EVAPO	
	48	17209-76500	JOINT TUBE (FROM OCT-66)	1	9	USA EXC EVAPO	N

FIG. 11A-1 H16 NISSAN MOTOR CO., LTD.



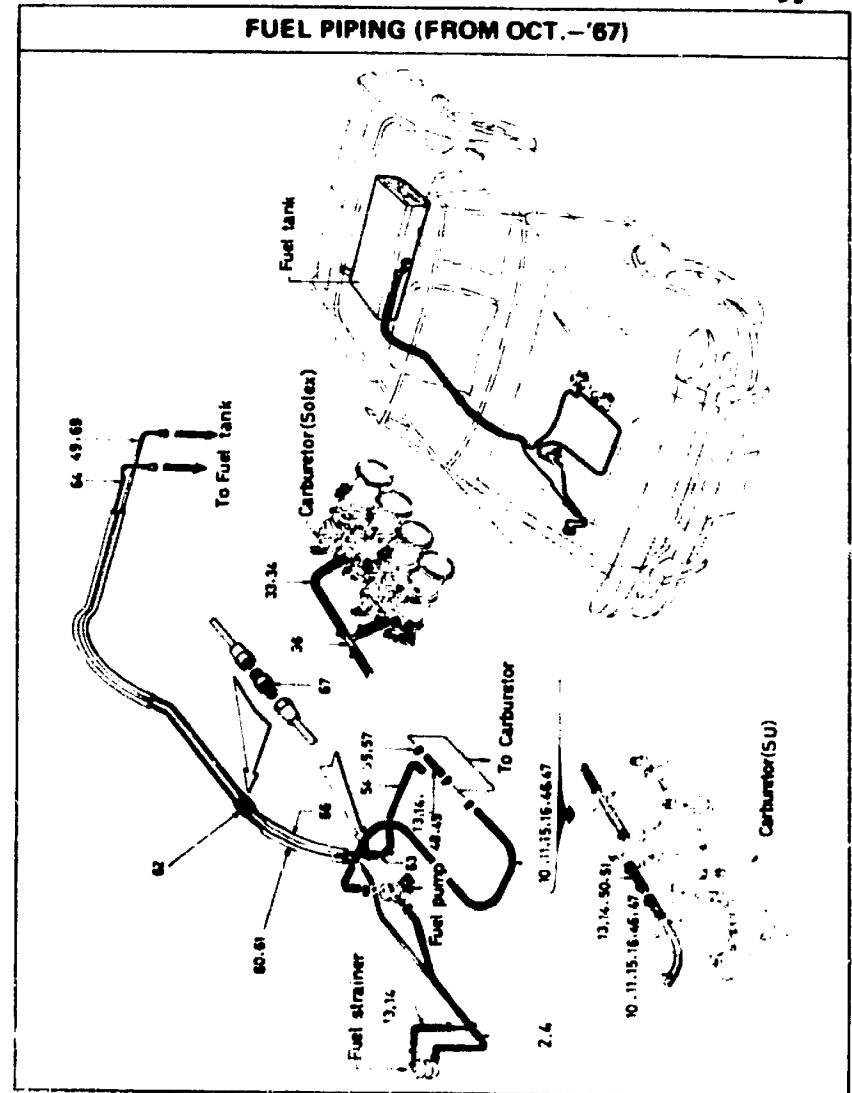
SEPTEMBER, 1971

F11A - 1

Printed in Japan

NISSAN MOTOR CO., LTD.

FIG. 11A-2



SEPTEMBER, 1971

F11A - 2

Printed in Japan

S	KEY NO.	PART NO.	PART NAME	QTY	SALES UNIT	MODEL	ICA
			FUEL PIPING				
1		17528-0800	TUBE-FUEL, STRAINER TO PUMP (TO SEP-67)	1	5 1.6L		
2		17528-1460	TUBE-STRAINER TO PUMP (FROM OCT-67)	1	5 1.6L EXC SPLU	H	
3		17528-2550	TUBE-FUEL, STRAINER TO PUMP (TO SEP-67)	1	5 2L		
4		17529-2590	TUBE-FUEL, STRAINER TO PUMP (FROM OCT-67)	2	5 2L & SPLU	N	
5		0721-1731	CLAMP-TUBE, FLEXIBLE	2	1.6L		
6		16439-0410	CLAMP-TUBE, FLEXIBLE	2	10 2L		
7		16439-A060	CLAMP-TUBE, FLEXIBLE	2	5 ALL	N	
8		17522-1460	ASSY-TUBE, FUEL PUMP TO CARBURETOR	1	1 1.6L		
9		17522-1460	ASSY-TUBE, FUEL PUMP TO CARBURETOR (FROM E/P P-40001)	1	1 1.6L	N	
10		17524-0010	ASSY TUBE FUEL PUMP TO CARBURETOR (L=190)	1	5 1.6L EXC SPLU		
11		17524-1460	ASSY TUBE FUEL PUMP TO CARBURETOR (L=210)	1	5 1.6L EXC SPLU		
12		17524-1470	TUBE-FUEL FRONT (FROM OCT-67)	1	SPLU		
13		17527-1470	TUBE-FUEL REAR (FROM OCT-67)	1	5 SPLU		
14		17526-0010	TUBE-FUEL REAR (L=150)	1	5 SPLU	Y	
15		17523-1470	TUBE-FUEL PUMP TO CARB (FROM OCT-67)	1	1 SPLU		
16		17522-1470	TUBE-FUEL PUMP TO CARB (L=010)	1	5 SPLU	Y	

11-A- 1

Printed in Japan

S	KEY NO.	PART NO.	PART NAME	QTY	SALES UNIT	MODEL	ICA
17		0721-1130	CLAMP FUEL TUBE (150)	4	25 ALL		
18		0722-1100	CLAMP	4	10 ALL		Y
19		16439-2210	CLAMP	4	ALL		Y
20		17105-1470	CLAMP FUEL PIPE	1	5 SPLU		
21		17107-1460	STAY-TUBE, PUMP TO CARBURETOR	1	5 1.6L		
22		00111-5121	BOLT	2	50 1.6L		
23		00119-1151	WASHER-LOCK	2	50 1.6L		
24		17522-2590	ASSY-TUBE, FUEL PUMP TO CONNECTOR 640MM FOR SOLEX & SU	1	5 2L		
25		17522-2591	ASSY-TUBE, FUEL PUMP TO CONNECTOR 640MM FOR SOLEX & SU	1	2L EXC SPLU SU		Y
26		0742-2000	ASSY-TUBE, FUEL PUMP TO CONNECTOR 640MM FOR SOLEX & SU	1	5 2L EXC SPLU SU		Y
27		17524-2590	ASSY-TUBE, CONN TO CARB FRONT 150MM	1	5 2L SOLEX		
28		17524-2591	ASSY-TUBE CONN TO CARB FRONT	1	5 2L SOLEX	N	
29		17524-2592	ASSY-TUBE CONN TO CARB FRONT (L=165)	1	5 2L SOLEX	Y	
30		17522-2560	ASSY-TUBE, CONN TO CARB REAR 310MM	1	2L SOLEX		
31		17526-2560	TUBE, CONN TO CARB, REAR 310MM	1	2 2L SOLEX	Y	
32		17526-2560	TUBE, CONN TO CARB, REAR 310MM	1	5 2L SOLEX	Y	
33		17526-2590	FUEL CONN TO CARB REAR	1	2 2L SOLEX	N	
34		17522-2590	TUBE CONN TO CARB REAR (L=300)	1	5 2L SOLEX	Y	
35		17107-2590	CONNECTOR-THREE-WAY	1	5 2L SOLEX		

11-A- 2

Printed in Japan

FIG. 11A i2 NISSAN MOTOR CO., LTD.

S	KEY NO.	PART NO.	PART NAME	QTY	SALES UNIT	MODEL	ICA
	34	17107-25501	CONNECTOR 4-WAY	1	1 2L SOLEX	N	
	37	17527-25500	TUBE FUEL COOLING FRONT	1	5 2L SOLEX		
	38	17106-25502	CLAMP TUBE FUEL FRONT	1	5 2L SOLEX		
	39	17527-25501	TUBE FUEL COOLING CENTER	1	5 2L SOLEX		
	40	17527-25503	TUBE FUEL COOLING CENTER	1	5 2L SOLEX	Y	
	41	17527-25502	TUBE FUEL COOLING REAR	1	5 2L SOLEX		
	42	17106-73400	CLAMP FUEL TUBE REAR (170)	1	5 2L SOLEX		
	43	17107-25500	CLAMP FUEL TUBE REAR (150)	1	5 2L SOLEX	N	
	44	17524-25600	ASSY-TUBE, CONN TO CARB FRONT 240MM	1	5 2L SU EXC SRLU		
	45	17524-25601	ASSY-TUBE, CONN TO CARB FRONT 240MM	1	2L SU EXC SRLU	Y	
	46	17523-25602	TUBE-FUEL PUMP TO CARB (FROM OCT-67)	1	5 SRLU SU		
	47	17522-25603	TUBE-FUEL PUMP TO CARB (L=1010)	1	5 SRLU SU	Y	
	48	17526-25600	ASSY-TUBE, CONN TO CARB REAR 270MM	1	2 2L SU EXC SRLU		
	49	17526-25602	ASSY-TUBE, CONN TO CARB REAR 270MM	1	5 2L SU EXC SRLU	Y	
	50	17527-25602	TUBE-FUEL PLAR(FROM OCT-67)	1	5 SRLU SU		
	51	17526-25603	TUBE-FUEL REAR (L=55)	1	5 SRLU SU	Y	
	52	17107-20100	CONNECTOR-THREE-WAY	1	1 2L SU		
	53	17107-20101	CONNECTOR-THREE-WAY	1	1 2L SU	Y	
	54	17527-73401	TUBE-FUEL RETURN(FROM OCT-67)	1	5 SPLU & SRLU		

REVISED: SEPTEMBER, 1971

11-A-3

Printed in Japan

NISSAN MOTOR CO., LTD.

FIG. 11A

S	KEY NO.	PART NO.	PART NAME	QTY	SALES UNIT	MODEL	ICA
	55	17105-14700	CLAMP-FUEL PIPE(FROM OCT-67)	1	5 SPLU		
	56	17105-14701	CLAMP-FUEL PIPE	1	5 SPLU		
	57	17106-25500	CLAMP-FUEL PIPE(FROM OCT-67)	1	5 SRLU		
	58	17502-14600	TUBE-CONNECTOR TO STRAINER (TO E/PR-40000)	1	1 1.6L		
	59	17502-25500	TUBE-CONN TO STRAINER (FROM E/PR-40001 TO SEP-67)	1	1 ALL		N
	60	14409-25900	TUBE-CONNECTOR TO STRAINER (FROM OCT-67)	1	5 ALL		N
	61	17504-25902	TUBE-CONNECTOR TO STRAINER (FROM OCT-67)	1	1 ALL		N
	62	17512-09100	CONNECTOR-FUEL TUBE	1	5 ALL		
	63	17503-14600	TUBE-TANK TO CONNECTOR (TO SEP-67)	1	11 ALL		
	64	17503-25901	TUBE-TANK TO CONNECTOR (FROM OCT-67)	1	1 ALL		N
	65	17504-26000	TUBE-CONNECTOR TO CARB (FROM OCT-67)	1	5 EMISSION CONTROL		N
	66	17502-26000	TUBE-CONNECTOR TO CONN FETON(FROM OCT-67)	1	5 EMISSION CONTROL		N
	67	17512-26000	CONNECTOR FUEL TUBE	2	5 EMISSION CONTROL		
	68	17503-26000	TUBE-CONNECTOR TO TANK (FROM OCT-67 TO SEP-67)	1	1 USA		N
	69	17503-A3300	TUBE-CONNECTOR TO TANK (FROM OCT-68)	1	1 EMISSION CONTROL		N

REVISED: SEPTEMBER, 1971

11-A-4

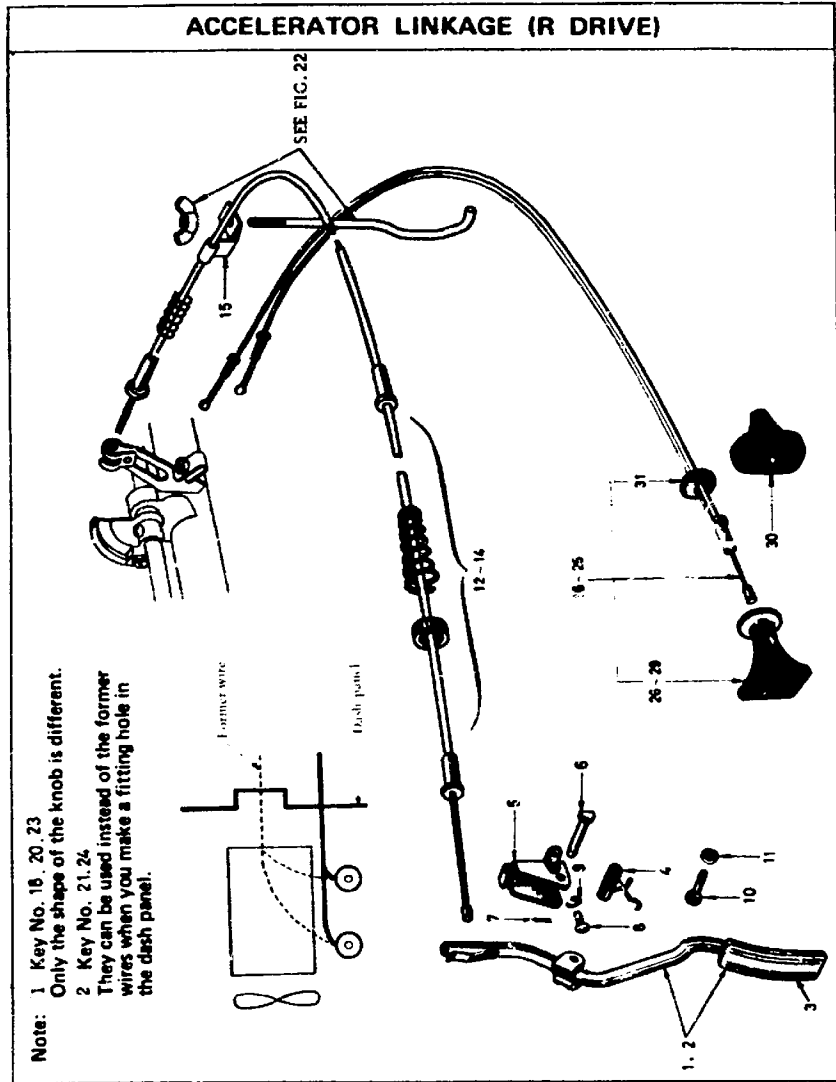
Printed in Japan

FIG. 12 i3

NISSAN MOTOR CO., LTD.

NISSAN MOTOR CO., LTD.

FIG. 12

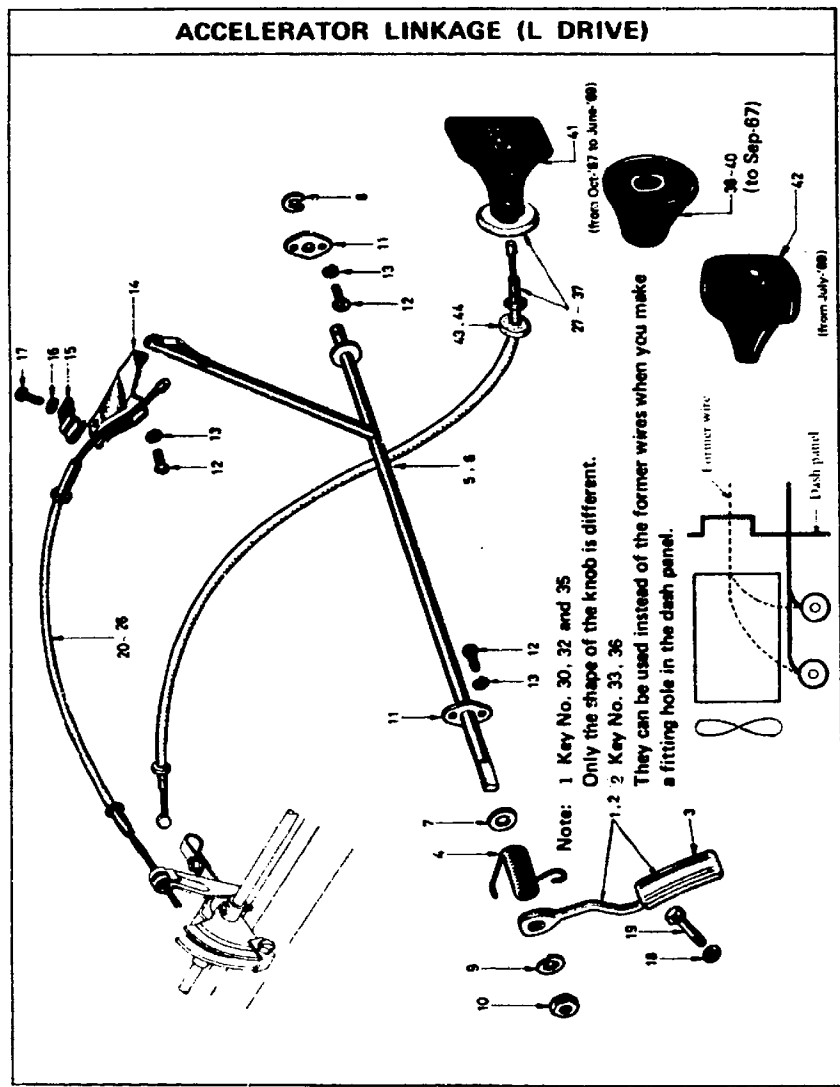


S	KEY NO.	PART NO.	PART NAME	QTY	SALES UNIT	MODEL	ICA
ACCELERATOR LINKAGE (R DRIVE)							
	1	18818-14600	ASSY-ARM, PEDAL	1	1 SP		
	2	18818-25500	ASSY-ARM, PEDAL (FROM E/ # R=40001)	1	1 SP, SR		N
	3	18817-15809	PAD-PEDAL, ACCELERATOR	1	5 SP, SR		
	4	18138-10401	SPRING-RETURN, ACCELE- RATOR	1	5 SP, SR		
	5	18828-04100	BRACKET-ACCELERATOR PE- DAL	1	1 SP, SR		
	6	18822-04100	PIN-ACCELERATOR PEDAL ARM	1	10 SP, SR		
	7	00921-11210	PIN-COTTER	1	50 SP, SR		
	8	00314-41410	SCREW	3	50 SP, SR		
	9	00915-11410	WASHER-LOCK	3	50 SP, SR		
	10	00124-42210	BOLT	1	50 SP, SR		
	11	00911-34410	NUT	1	50 SP, SR		
	12	18100-12201	ASSY-WIRE, ACCELERATOR	1	1 SP, SR		
	13	18100-25500	ASSY-WIRE, ACCELERATOR	1	1 SP		Y
	14	18100-25501	ASSY-WIRE, ACCELERATOR	1	1 SR		Y
	15	18128-14600	CLAMP-ACCELERATOR WIRE	1	5 SP, SR		
	16	18410-14600	COMP-WIRE, CHOKE CONTROL (TO E/SR-40000)	1	SP		
	17	18410-14601	COMP-WIRE, CHOKE CONTROL (FROM E/SR-40001 TO SEP-67)	1	5 SP, SR		Y
	18	18410-25900	COMP-WIRE, CHOKE CONTROL (FROM OCT-67 TO JUN- 69)	1	2 SR SOLEX		C

FIG. 12 i4 NISSAN MOTOR CO., LTD.

S	KEY NO.	PART NO.	PART NAME	QTY	SALES UNIT	MODEL	ICA
	19	18418-A7488	COMP-WIRE,CHOKE CONTROL (FROM JULY-69)	1		SR SOLEX	Y
	20	18418-26881	COMP-WIRE,CHOKE CONTROL (FROM OCT-67 TO SEP-68)	1	2	SR SU	C
•	21	18418-A3288	COMP-WIRE,CHOKE CONTROL (FROM OCT-68)	1	5	SR SU	C
	22	18418-A7588	COMP-WIRE,CHOKE CONTROL (FROM JULY-69)	1		SR SU	Y
	23	18418-14688	WIRE CHOKE CONTROL (FROM OCT-67 TO SEP-68)	1	1	SP SU	C
•	24	18418-A3281	WIRE CHOKE CONTROL (FROM OCT-68 TO JUN-69)	1	5	SP SU	C
	25	18418-A7481	WIRE CHOKE CONTROL (FROM JULY-69)	1		SP SU	Y
•	26	18415-17288	KNOB CHOKE WIRE (TO E/S R-48888)	1	5	SP	
	27	18415-48881	KNOB CHOKE WIRE (TO E/S R-48888)	1		SP	Y
	28	18415-25588	KNOB CHOKE WIRE (FROM E/SR-48881 TO SEP-67)	1	5	SR	N
•	29	18415-25988	KNOB CHOKE WIRE (FROM OCT-67)	1	5	R DRIVE	N
	30	18415-A7488	KNOB CHOKE WIRE (FROM JULY-69)	1		R DRIVE	Y
	31	18417-15888	GROMMET RUBBER	1	5	R DRIVE	

FIG. 13 15 NISSAN MOTOR CO., LTD.



S	KEY NO.	PART NO.	PART NAME	QTY	SALES UNIT	MODEL	ICA
ACCELERATOR LINKAGE (L DRIVE)							
•	1	1P010-14700	ASSY-ARM, PEDAL	1	1 SPL, SRL		
	2	1P010-25600	ASSY-ARM, PEDAL	1	1 SPL, SPL		Y
	3	1P017-15800	PAD-PEDAL, ACCELERATOR	1	5 SPL, SRL		
	4	1P130-14700	SPRING-RETURN, ACCELERATOR	1	10 SPL, SRL		
•	5	1P400-12300	ASSY-SHAFT, CROSS, ACCELERATOR	1	1 SPL		
	6	1P400-25600	ASSY-SHAFT, CROSS, ACCELERATOR (FROM F/R R-4000 1)	1	1 SPL, SRL		N
	7	1P126-61000	WASHER-CROSS SHAFT	1	10 SPL, SRL		
	8	1P137-10600	RING-SNAP, "E"	1	10 SPL, SRL		
	9	00915-11610	WASHER-LOCK	1	50 SPL, SPL		
	10	00911-14610	NUT	1	50 SPL, SPL		
	11	1P127-12300	BRACKET-CROSS SHAFT	2	5 SPL, SRL		
	12	00314-41410	SCREW	6	50 SPL, SPL		
	13	00915-11410	WASHER-LOCK	6	50 SPL, SPL		
•	14	1P020-12300	HOLDER-ACCELERATOR WIRE	1	1 SPL, SPL		
	15	1P021-12300	CLAMP-ACCELERATOR WIRE	1	5 SPL, SPL		
	16	00915-11010	WASHER-LOCK	1	70 SPL, SPL		
	17	00369-01210	SCREW	1	50 SPL, SPL		
	18	00911-14410	NUT	1	50 SPL, SPL		
	19	00124-42010	BOLT	1	50 SPL, SPL		
•	20	1P100-12301	ASSY-WIRE, ACCELERATOR	1	5 SPL, (SU)		

FIG. 13 i6 NISSAN MOTOR CO., LTD.

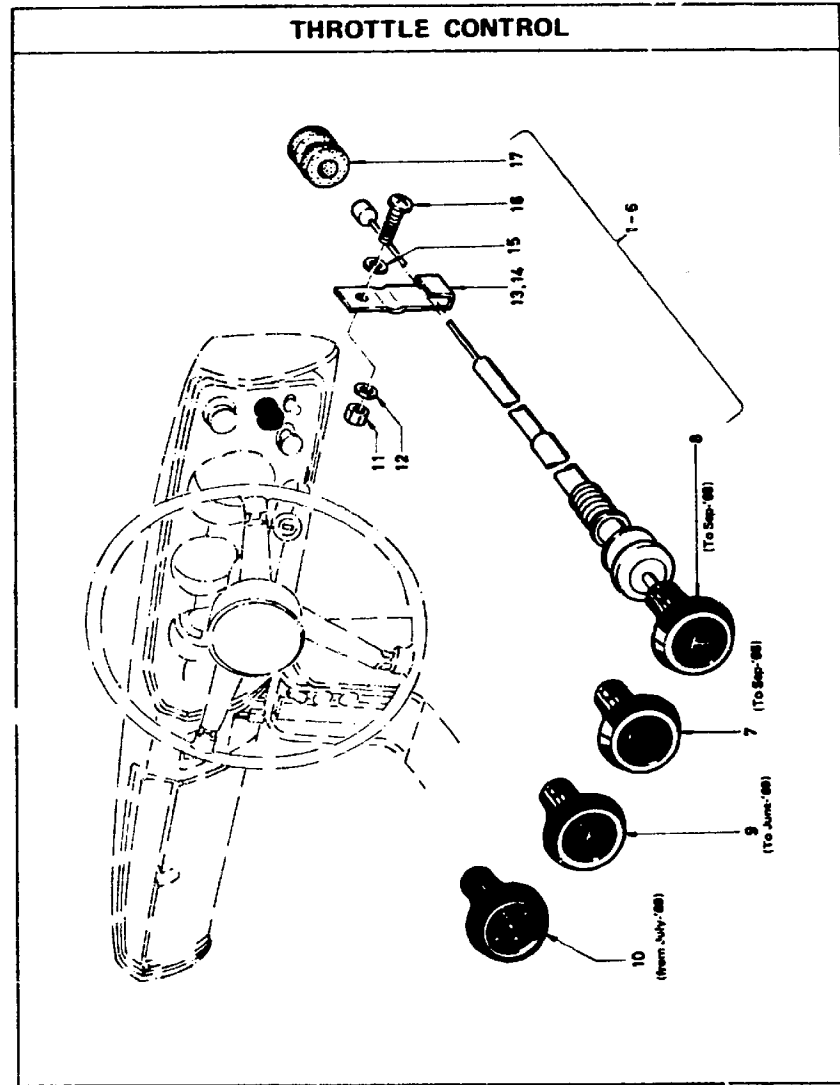
S	KEY NO.	PART NO.	PART NAME	QTY	SALES UNIT	MODEL	ICA
•	21	1F100-25601	ASSY-WIRE, ACCELERATOR	1		SPL (SU)	Y
	22	1F100-26000	ASSY-WIRE, ACCELERATOR (L=970)	1	5	SPL SPLU (SU)	Y
•	23	1F100-25603	ASSY-WIRE, ACCELERATOR	1		SPL (SOLEX)	Y
	24	1F100-26002	ASSY-WIRE, ACCELERATOR (L=685)	1	5	SPL (SOLEX CARB)	Y
•	25	1F100-25602	ASSY-WIRE, ACCELERATOR	1		SRL (SU)	Y
	26	1F100-26001	ASSY-WIRE, ACCELERATOR (L=685)	1	5	SRL, SRLU (SU & SOLEX)	Y
•	27	1F410-14600	COMP-WIRE, CHOKE CONTROL (TO E/R R-40000)	1		SPL, SPLU	
	28	1F410-14601	WIRE-CHOKE CONTROL (FROM E/R R-40001 TO SEP-67)	1	5	SPL, SPLU, SPLU	Y
	29	1F410-25600	WIRE-CHOKE CONTROL (TO SEP-67)	1	1	SRL	
•	30	1F410-25900	WIRE-CHOKE CONTROL (FROM OCT-67 TO JUNE-69)	1	2	SRL, SRLU (SOLEX)	C
	31	1F410-A7400	WIRE-CHOKE CONTROL (FROM JULY-69)	1	5	SRL, SRLU (SOLEX)	Y
	32	1F410-26001	WIRE-CHOKE CONTROL FOR SU (FROM OCT-67 TO SEP-69)	1	5	SRL, SRLU	C
•	33	1F410-A3200	WIRE-CHOKE CONTROL (FROM OCT-68)	1	5	SRL, SRLU (SU)	C
	34	1F410-A7500	WIRE-CHOKE CONTROL (FROM JULY-69)	1	5	SRL, SRLU (SU)	Y
	35	1F410-14603	WIRE-CHOKE CONTROL (FROM OCT-67 TO SEP-69)	1	1	SPL, SRLU (SU)	C
•	36	1F410-A3201	WIRE-CHOKE CONTROL (FROM OCT-68 TO JUNE-69)	1	5	SPL, SPLU (SU)	C

NISSAN MOTOR CO., LTD.

FIG. 13

S	KEY NO.	PART NO.	PART NAME	QTY	SALES UNIT	MODEL	ICA
	37	1F410-A7410	WIRE-CHOKE CONTROL (FROM JULY-69)	1	1	SPL, SPLU (SU)	Y
•	38	1F415-13200	KNOW-CHOKE WIRE (TO F/ # R-40000)	1	5	SPL	
	39	1F415-A0601	KNOW-CHOKE WIRE (TO F/ # R-40000)	1	5	SPL	Y
	40	1F415-25500	ASSY-KNOB, CHOKE CONTROL (TO SEP-67)	1	5	SRL, SRLU	
•	41	1F415-25900	ASSY-KNOB, CHOKE CONTROL (FROM OCT-67)	1	5	L DRIVE	N
	42	1F415-A7400	ASSY-KNOB, CHOKE CONTROL (FROM JULY-69)	1	10	L DRIVE	Y
•	43	1F417-72600	GROMMET-RUBBER	1	5	L DRIVE	
	44	1F417-15000	GROMMET-RUBBER	1	5	L DRIVE	Y

FIG. 13A i7 NISSAN MOTOR CO., LTD.



SEPTEMBER, 1969

F13A- 1

Printed in Japan

NISSAN MOTOR CO., LTD.

FIG. 13A

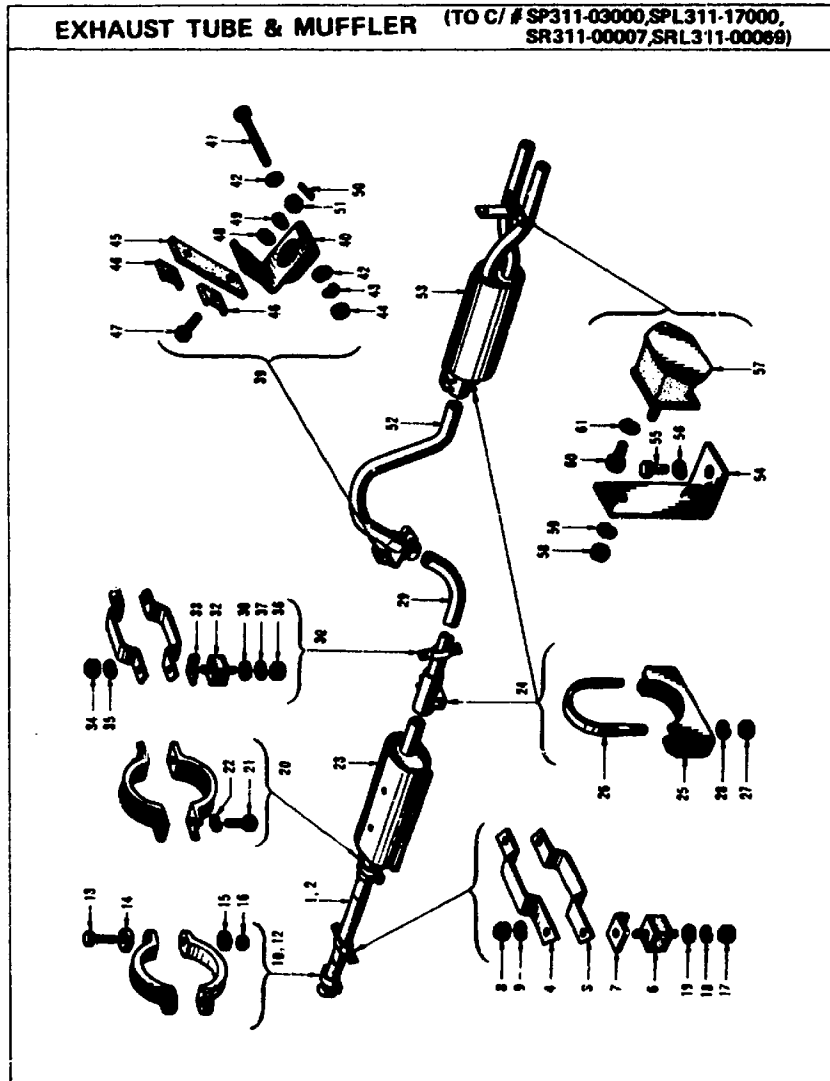
S	KEY NO.	PART NO.	PART NAME	QTY	SALES UNIT	MODEL	ICA
			THROTTLE CONTROL				
	1	18510-25500	COMP-WIRE, CONTROL (FROM E/# R-40001 TO SEP-67)	1	1 SP SR		
	2	18510-25900	COMP-WIRE, CONTROL (FROM OCT-67)	1	1 SP SR	N	
	3	18510-A7400	COMP-WIRE, CONTROL (FROM JULY-69)	1	SP SR	Y	
	4	18510-25600	COMP-WIRE, CONTROL (FROM E/# R-40001 TO SEP-67)	1	1 SPL SRL		
	5	18510-26000	COMP-WIRE, CONTROL (FROM OCT-67)	1	1 SPL SPL	N	
	6	18510-A7800	COMP-WIRE, CONTROL (FROM JULY-69)	1	SPL SRL	Y	
	7	18415-25500	ASSY-KNOB	1	5 ALL		
	8	18515-25900	ASSY-KNOB	1	5 ALL	Y	
	9	18515-A3200	ASSY-KNOB	1	1 ALL	Y	
	10	18515-A7400	ASSY-KNOB (FROM JULY-69)	1	ALL	Y	
	11	18411-31300	NUT	1	10 ALL		
	12	18412-31300	WASHER-PLAIN	1	50 ALL		
	13	18429-25500	CLAMP-THROTTLE WIRE	1	5 SP, SR		
	14	18429-25600	CLAMP-THROTTLE WIRE	1	5 SPL, SRL		
	15	00915-11010	WASHER-SPRING	1	50 ALL		
	16	00369-01410	SCREW-MACHINE	1	50 ALL		
	17	00951-10600	GROMMET-RUBBER	1	10 SPL, SRL		

REVISED: SEPTEMBER, 1969

13-A- 1

Printed in Japan

FIG. 14 i8 NISSAN MOTOR CO., LTD.



F14 - 1

APRIL, 1968

Printed in Japan

NISSAN MOTOR CO., LTD.

FIG. 14

KEY NO.	PART NO.	PART NAME	QTY	SALES UNIT	MODEL	ICA
EXHAUST TUBE						
1	20011-16350	ASSY-TUBE, EXHAUST FROM T, WITH CLAMP	1	1	1, 6L	
2	20011-25950	ASSY-TUBE, EXHAUST FROM T, WITH CLAMP (TO C/ # SR311 00007, SRL311 00069)	1	1	2L	
3	20611-12200	CLAMP-EXHAUST TUBE	1	1	ALL	
4	20612-12200	CLAMP-EXHAUST TUBE	1	1	ALL	
5	20220-04100	MOUNTING-RUBBER, EXHAUST TUBE	2		ALL	
6	20220-14600	MOUNTING-RUBBER, EXHAUST TUBE	2	5	ALL	Y
7	20613-12200	INSULATOR-MOUNTING, EXHAUST	2	5	ALL	
8	00911-14910	NUT TO FIX CLAMP	2	50	ALL	
9	00915-11910	WASHER-LOCK TO FIX CLAMP	2	50	ALL	
10	20013-32250	ASSY-CLAMP, EXHAUST FRONT TUBE, FRONT	1	5	1, 6L	
11	20013-25900	CLAMP-MUFFLER, FRONT LOWER (TO C/ # SR311 00007, SPL311 00069)	2	10	2L	
12	20013-25901	CLAMP, FRONT LOWER (TO C/ # SR311 00007, SRL311 00069)	2	5	2L	Y
13	00114-55010	BOLT	2	10	ALL	
14	20014-04100	SLAT-EXHAUST TUBE CLAMP	2	50	ALL	
15	20015-04100	SLAT-EXHAUST TUBE CLAMP	2	50	ALL	

REVISED: DECEMBER, 1970

14 - 1

Printed in Japan

FIG. 14 i9

NISSAN MOTOR CO., LTD.

S	KEY NO.	PART NO.	PART NAME	QTY	SALES UNIT	MODEL	ICA
	16	1'039-30008	NUT	2	50	ALL	
	17	00911-14510	NUT TO FIX EXHAUST TUBE TO FRAME	2	50	ALL	
	18	00915-11510	WASHER-LOCK TO FIX EXHAUST TUBE TO FRAME	2	50	ALL	
	19	00915-41510	WASHER-PLAIN TO FIX EXHAUST TUBE TO FRAME	2	50	ALL	
	20	20132-32251	ASSY-CLAMP, MUFFLER TO FRONT TUBE	1	10	ALL	
	21	90114-52010	BOLT	2	50	ALL	
	22	00915-11510	WASHER-LOCK	2	50	ALL	
	23	20101-16300	ASSY-MUFFLER	1	1	ALL	
	24	20023-04550	ASSY-CLAMP, EXHAUST TUBE, 2ND BOLT	2	1	ALL	
	25	20023-04500	CLAMP-EXHAUST TUBE, FRONT	2	1	ALL	
	26	20031-04500	TOP BOLT-EXHAUST TUBE CLAMP	2	10	ALL	
	27	00911-14510	NUT	4	50	ALL	
	28	00915-11510	WASHER-LOCK	4	50	ALL	
	29	20201-10400	TUBE-EXHAUST, CENTER	1	1	ALL	
	30	20023-10451	ASSY-CLAMP, EXHAUST TUBE, 2ND	1	1	ALL	
*	31	20220-04100	MOUNTING-RUBBER, EXHAUST TUBE	2		ALL	
	32	20220-14600	MOUNTING-RUBBER, EXHAUST TUBE	2	5	ALL	Y
	33	20613-12200	INSULATOR-MOUNTING, EXHAUST	2	5	ALL	
	34	00911-14510	NUT TO FIX CLAMP TO MOUNTING RUBBER	2	50	ALL	

12 - 2

Printed in Japan

REVISED: DECEMBER, 1970

NISSAN MOTOR CO., LTD.

FIG. 14

S	KEY NO.	PART NO.	PART NAME	QTY	SALES UNIT	MODEL	ICA
	35	00915-11510	WASHER-LOCK TO FIX CLAMP TO MOUNTING RUBBER	2	50	ALL	
	36	00911-14510	NUT TO FIX MOUNTING RUBBER TO BRACKET	2	50	ALL	
	37	00915-11510	WASHER-LOCK TO FIX MOUNTING RUBBER TO BRACKET	2	50	ALL	
	38	00915-41510	WASHER-PLAIN TO FIX MOUNTING RUBBER TO BRACKET	2	50	ALL	
	39	20641-10451	ASSY-CLAMP, EXHAUST TUBE, CENTER	1	1	ALL	
	40	20641-10400	CLAMP-EXHAUST TUBE	1	1	ALL	
	41	90114-56510	BOLT	1	50	ALL	
	42	00915-41510	WASHER-PLAIN	1	50	ALL	
	43	00915-11510	WASHER-LOCK	1	50	ALL	
	44	00911-14510	NUT	1	50	ALL	
	45	20632-10600	STRAP-EXHAUST HANGER	1	5		
	46	20622-10600	WASHER-STRAP	2	10	ALL	
	47	90114-52210	BOLT TO FIX REAR TUBE TO CENTER TUBE	2	50	ALL	
	48	00915-41510	WASHER-PLAIN TO FIX REAR TUBE TO CENTER TUBE	2	50	ALL	
	49	00915-11510	WASHER-LOCK TO FIX REAR TUBE TO CENTER TUBE	2	50	ALL	
	50	00921-11010	PIN-COTTER TO FIX REAR TUBE TO CENTER TUBE	2	50	ALL	
	51	00911-74510	NUT TO FIX REAR TUBE TO CENTER TUBE	2	50	ALL	
	52	20211-10401	TUBE-EXHAUST, REAR	1	1	ALL	
	53	20300-10450	ASSY-BOOSTER, WITH TAIL PIPE CLAMP	1	1	ALL	

14 - 3

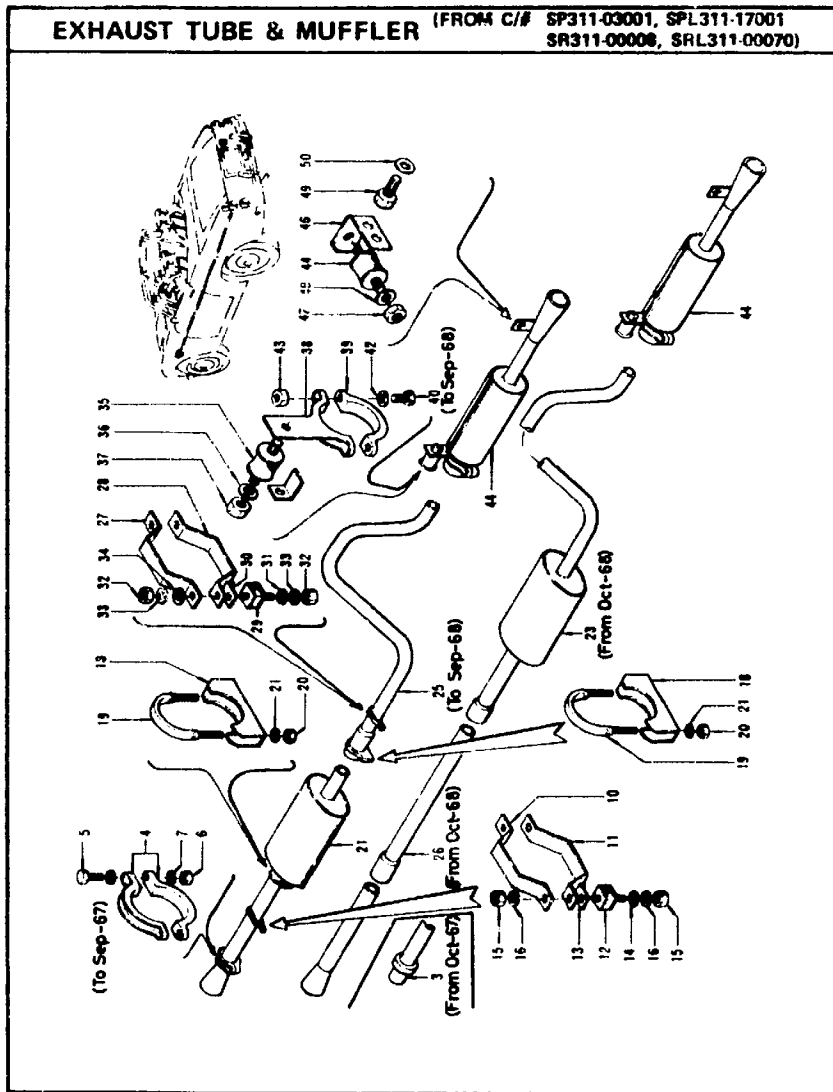
Printed in Japan

REVISED: DECEMBER, 1970

FIG. 14 i10 NISSAN MOTOR CO., LTD.

S	KEY NO.	PART NO.	PART NAME	QTY	SALES UNIT	MODEL	ICA
	54	20214-10401	HANGER-EXHAUST TUBE REAR	1	1	ALL	
	55	00114-51610	BOLT	1	50	ALL	
	56	00915-11510	WASHER-LOCK	1	50	ALL	
	57	11328-38801	CUMP.-MOUNTING	1	4	ALL	
	58	00911-14510	NUT	1	50	ALL	
	59	00915-11510	WASHER-LOCK	1	50	ALL	
	60	00114-51610	BOLT	2	50	ALL	
	61	00915-11510	WASHER-LOCK	2	50	ALL	

FIG. 14 A i11 NISSAN MOTOR CO., LTD.



NISSAN MOTOR CO., LTD.

FIG. 14 A

S	KEY NO.	PART NO.	PART NAME	QTY	SALES UNIT	MODEL	ICA
EXHAUST TUBE & MUFFLER (FROM C/N SP311-03001, SPL311-17001 SR311-00006, SRL311-00070)							
	1	20011-16350	TUBE-FRONT W/CLAMP (TO SEP-67)	1	1	1.6L	
	2	20011-25551	TUBE-FRONT W/CLAMP (TO SEP-67)	1	1	2L	
	3	20010-25950	TUBE-FRONT W/CLAMP (FROM OCT-67)	1	1	ALL	N
	4	20013-25501	CLAMP TO EXHAUST	2	5	2L	
	5	00114-52910	BOLT (TO SEP-67)	2	50	2L	
	6	14039-30000	NUT (TO SEP-67)	2	50	2L	
	7	00915-11510	WASHER (TO SEP-67)	2	50	2L	
	8	20601-25900	PLATE-TUBE END (FROM OCT-67)	1	1	ALL	
	9	20650-37700	NUT-MANIFOLD TO TUBE (FROM OCT-67)	1	10	ALL	
	10	20665-25500	CLAMP-UPPER	1	1	ALL	
	11	20666-25500	CLAMP-LOWER	1	1	ALL	
	12	20220-25500	RUBBER	2	5	ALL	
	13	20613-12200	INSULATOR	2	5	ALL	
	14	20614-14600	SHIM	2	10	ALL	
	15	00911-14510	NUT	4	50	ALL	
	16	00915-11510	WASHER-LOCK	4	50	ALL	
	17	00915-41510	WASHER-PLAIN	2	50	ALL	
	18	20102-25500	CLAMP	2	1	ALL	
	19	20103-25500	U BOLT	2	10	ALL	
	20	00911-14510	NUT	4	50	ALL	

FIG. 14A i12 NISSAN MOTOR CO., LTD.

S	KEY NO.	PART NO.	PART NAME	QTY	SALES UNIT	MODEL	ICA
	21	00915-11910	WASHER	4	50	ALL	
6-	22	20101-25500	ASSY-MUFFLER (TO SEP-68)	1	1	ALL	
	23	20101-A3200	ASSY-MUFFLER(FROM OCT-68)	1	4	ALL	N
	24	20201-25550	ASSY-TUBE WITH CENTER CLAMP	1	1	ALL	
	25	20201-25551	ASSY-TUBE WITH CENTER CLAMP (TO SEP-68)	1	1	ALL	Y
	26	20201-A3250	ASSY-TUBE WITH CENTER CLAMP(FROM OCT-68)	1	1	ALL	N
	27	20667-25500	CLAMP-UPPER	1	1	ALL	
	28	20668-25500	CLAMP-LOWER	1	1	ALL	
	29	20220-25500	RUBBER	2	5	ALL	
	30	20613-12200	INSULATOR	2	5	ALL	
	31	20614-14600	SHIM	2	10	ALL	
	32	00911-14910	NUT	4	50	ALL	
	33	00915-11910	WASHER-LOCK	4	50	ALL	
	34	00915-41910	WASHER-PLAIN	2	50	ALL	
	35	20303-25500	RUBBER-MOUNTING	1	5	ALL	
	36	00915-11910	WASHER	2	50	ALL	
	37	00911-14910	NUT	2	50	ALL	
	38	20202-25500	CLAMP-UPPER	1		ALL	
	39	20661-73201	CLAMP-LOWER	1	1	ALL	
	40	00114-52010	BOLT (TO SEP-68)	2	50	ALL	
	41	00114-52510	BOLT-NIX (FROM OCT-68)	2	50	ALL	N
	42	00915-11910	WASHER	2	50	ALL	
	43	00911-14910	NUT	2	50	ALL	

REVISED: DECEMBER, 1970

14-A-2

Printed in Japan

NISSAN MOTOR CO., LTD.

FIG. 14A

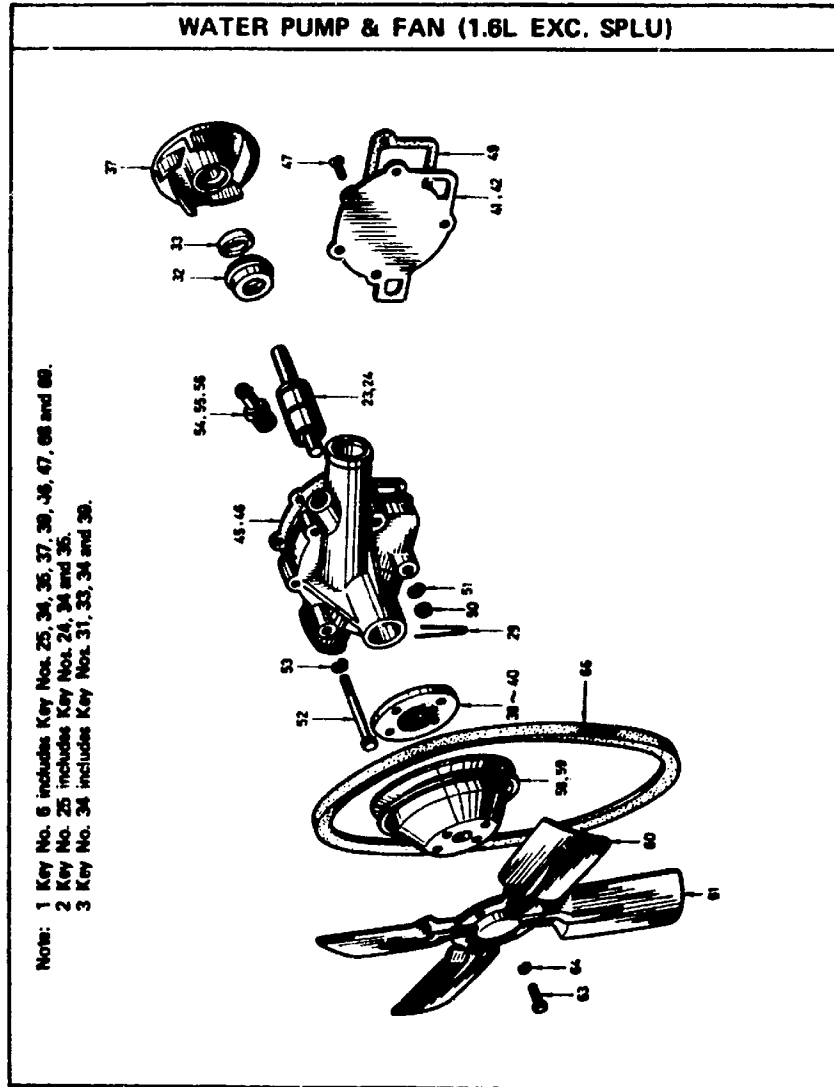
S	KEY NO.	PART NO.	PART NAME	QTY	SALES UNIT	MODEL	ICA
	44	20300-25500	ASSY-BOOSTER	1	1	ALL	
	45	20303-25500	RUBBER-MOUNTING	1	5	ALL	
	46	20304-25500	BRACKET	1	1	ALL	
	47	00911-14910	NUT	2	50	ALL	
	48	00915-11910	WASHER	2	50	ALL	
	49	00114-51610	BOLT	2	50	ALL	
	50	00915-11910	WASHER	2	50	ALL	

REVISED: DECEMBER, 1970

14-A-3

Printed in Japan

FIG. 15-1 i13 NISSAN MOTOR CO., LTD.



NISSAN MOTOR CO., LTD.

FIG. 15-2

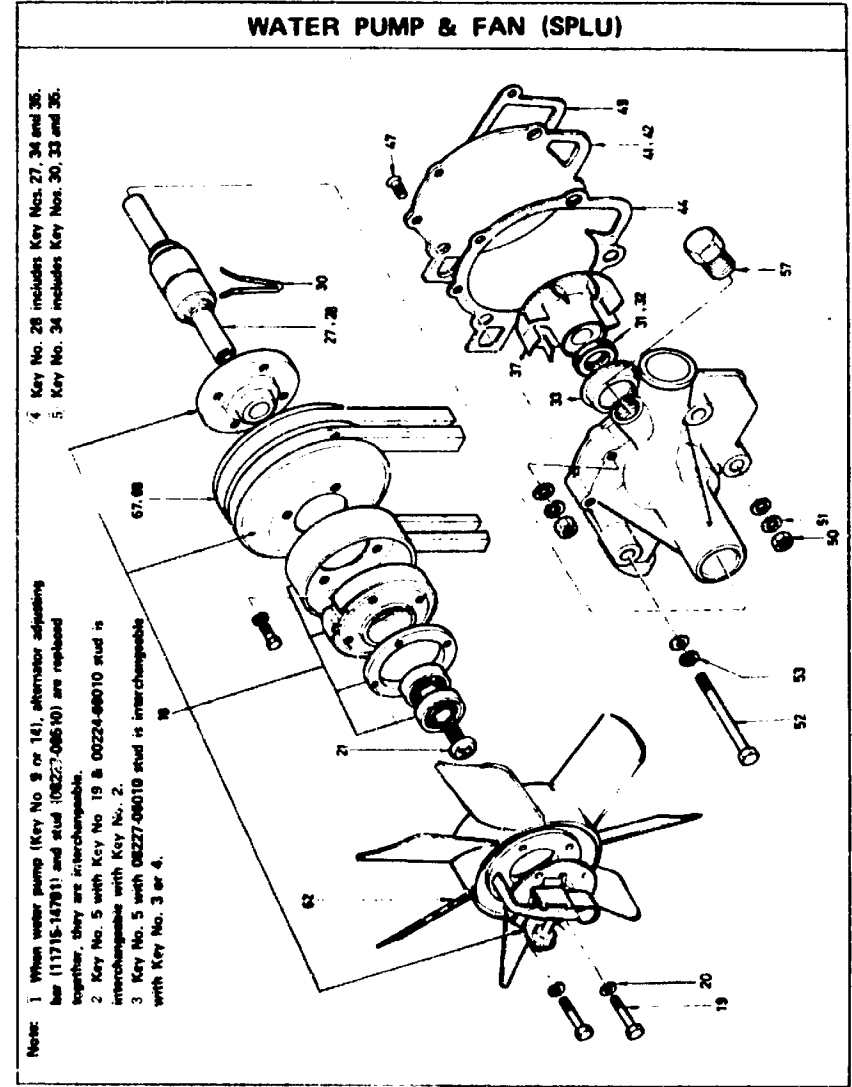


FIG. 15 i14 NISSAN MOTOR CO., LTD.

S	KEY NO.	PART NO.	PART NAME	QTY	SALES UNIT	MODEL	ICA
			WATER PUMP (1.6L)				
•	1	21010-14600	ASSY=WATER PUMP	1		1.6L EXC SPLU	
•	2	21010-66001	ASSY=WATER PUMP (INCH) (FROM E/P R=26019)	1		1.6L EXC SPLU	Y
•	3	21010-76200	ASSY=WATER PUMP (MTRIC)	1	1	1.6L EXC SPLU	H
•	4	21010-76201	ASSY=WATER PUMP (MTRIC)(FROM E/P R=26019)	1	1	1.6L EXC SPLU	Y
•	5	21010-76202	ASSY=WATER PUMP (MTRIC)(FROM E/P R=26019)	1	1	1.6L EXC SPLU	C
•	6	21010-76203	ASSY=WATER PUMP	1	1	1.6L EXC SPLU	Y
•	7	21010-76225	ASSY=WATER PUMP W/GASKET	1	1	1.6L EXC SPLU	Y
•	8	21000-14700	WATER PUMP W/FAN CLUTCH (FROM OCT-67)	1	1	SPLU	
•	9	21000-14701	WATER PUMP W/FAN CLUTCH	1	1	SPLU	C
•	10	21000-14702	WATER PUMP W/FAN CLUTCH (FROM E/P R=117900)	1	1	SPLU	Y
•	11	21000-14725	WATER PUMP W/FAN CLUTCH W/GASKET	1	1	SPLU	Y
•	12	21010-14700	WATER PUMP (FROM OCT-67)	1	1	SPLU	
•	13	21010-14701	WATER PUMP (FROM OCT-67)	1		SPLU	Y
•	14	21010-14702	WATER PUMP	1	1	SPLU	C
•	15	21010-14703	WATER PUMP	1	1	SPLU	Y

NISSAN MOTOR CO., LTD.

FIG. 15

S	KEY NO.	PART NO.	PART NAME	QTY	SALES UNIT	MODEL	ICA
•	16	21010-14725	WATER PUMP W/GASKET	1		SPLU	Y
•	17	21095-25600	ASSY-FAN CLUTCH W/HUB PULLEY (FROM OCT-67)	1	1	SPLU	
•	18	21150-25600	FAN CLUTCH (FROM OCT-67)	1	1	SPLU	
•	19	09130-61610	BOLT-HEX HD (FROM OCT-67)	4	90	SPLU	
•	20	09015-13610	WASHER-LOCK (FROM OCT-67)	4	90	SPLU	
•	21	21040-25600	BOLT-BEARING (FROM OCT-67)	1	10	SPLU	
•	22	21026-62225	KIT-SEALS, WATER PUMP REPAIR	1	1	1.6L	
•	23	21035-14600	BEARING=WATER PUMP	1	1	1.6L	
•	24	21035-66001	BEARING=WATER PUMP	1	1	1.6L EXC SPLU	H
•	25	21046-76200	BEARING & SEAL SET	1	1	1.6L EXC SPLU	
•	26	21035-14700	BEARING=WATER PUMP (FROM OCT-67)	1	1	SPLU	
•	27	21035-14701	BEARING=WATER PUMP	1	1	SPLU	Y
•	28	21046-14700	BEARING & SEAL SET (FROM E/P R=117900)	1	1	SPLU	
•	29	21043-04000	WIRE-LOCK	1	10	1.6L	
•	30	21043-73000	WIRE-LOCK (FROM E/P R=26019)	1	10	1.6L	Y
•	31	21026-14600	ASSY-SEAL, WATER PUMP	1	9	1.6L	
•	32	21026-85000	ASSY-SEAL WATER PUMP	1	10	1.6L	H
•	33	21027-62200	ASSY-SEAL, WATER PUMP	1	9	1.6L	
•	34	21047-00100	SEAL & WIRE SET (FROM E/P R=117900)	1	1	1.6L	
•	35	21047-00700	SEAL & WIRE SET	1		1.6L	Y

FIG. 15 115 NISSAN MOTOR CO., LTD.

S	KEY NO.	PART NO.	PART NAME	QTY	SALES UNIT	MODEL	ICA
•	34	21022-14600	VAPE=WATER PUMP	1	1.0L		
	37	21022-62200	VAPE=WATER PUMP	1	1.0L		Y
	38	21054-14600	HUB WATER PUMP PULLEY	1	1.0L EXC SPLU		
	39	21054-78200	HUB WATER PUMP PULLEY	1	2.0L EXC SPLU		N
	40	21054-25500	HUB WATER PUMP PULLEY (FROM OCT-67)	1	1 SPLU		
	41	21013-14600	COVER=WATER PUMP	1	1.0L		
	42	21013-66001	COVER=WATER PUMP(FROM F/R N=26019)	1	1.0L		Y
	43	21013-78202	COVER=WATER PUMP	1	1 SPLU		
	44	21014-14600	GASKET=WATER PUMP COVER	1	10.0L		
	45	21014-66001	GASKET=WATER PUMP COVER(FROM E/R N=26019)	1	10.0L		Y
	46	21014-78202	GASKET=WATER PUMP COVER	1	10.0L		N
	47	21017-01300	SCREW MACHINE	2	90.0L		
•	48	21074-14600	GASKET=WATER PUMP, BLOCK SIDE	1	10.0L		
	49	21074-60200	GASKET=BLOCK SIDE	1	10.0L		Y
	50	00011-14610	NUT TO FIX WATER PUMP	1	50.0L		
	51	00015-11610	WASHER=LOCK TO FIX WATER PUMP	1	50.0L		
	52	00111-54010	BOLT TO FIX WATER PUMP	2	50.0L		
	53	00015-41610	WASHER=LOCK TO FIX WATER PUMP	2	50.0L		
•	54	14057-14600	CONNECTOR=CYLINDER HEAD TO WATER PUMP(TO L/R R=40000)	1	100.0L		

REVISED MARCH, 1972

13 = 3

Printed in Japan

NISSAN MOTOR CO., LTD.

FIG. 15

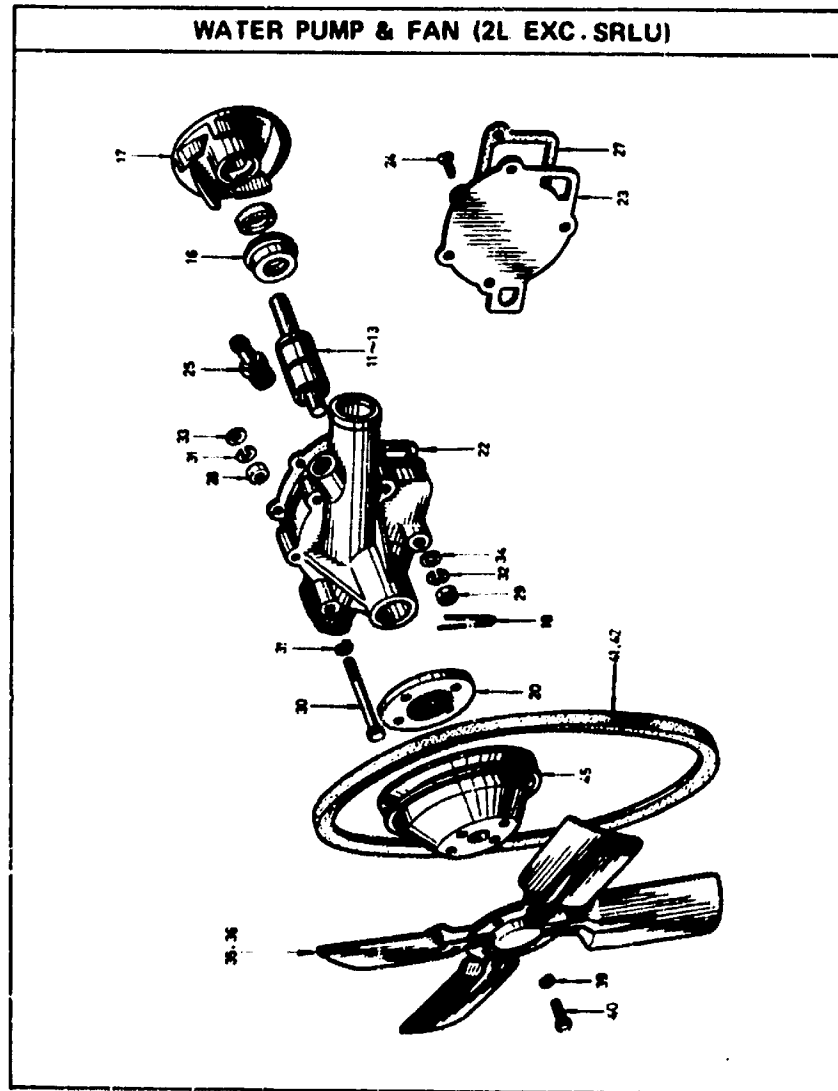
S	KEY NO.	PART NO.	PART NAME	QTY	SALES UNIT	MODEL	ICA
	55	14059-14600	CONNECTOR=CYLINDER HEAD	1	5.0L		Y
•	56	14507-14601	CAM=CYL HEAD TO WATER PUMP(FROM F/R=40001)	1	1.0L		N
	57	00031-30610	PLUG=TAPPL	1	50.0L		
	58	21051-12200	PULLEY=FAN & WATER PUMP	1	1.0L		
	59	21051-25600	PULLEY WATER PUMP (FROM OCT-67)	1	1 SPLU		
	60	21061-32200	BLADE=FAN, FRONT	1	2.0L EXC SPLU		
	61	21062-32200	BLADE=FAN, REAR	1	2.0L EXC SPLU		
	62	21060-25600	ASSY=FAN PLASTIC (7 BLADES)	1	1 SPLU		
	63	00114-42210	BOLT	2	50.0L		
	64	00015-21610	WASHER=LOCK	2	50.0L		
	65	21067-38800	RELT=FAN(TO E/R N=40000)	1	1.0L		
	66	21067-10800	RELT=FAN(FROM E/R R=40001)	1	1.0L EXC SPLU		N
	67	11720-25604	RELT=FAN(FROM E/R R=40001)	1	1 SPLU		
	68	21067-10600	RELT=FAN(OPTION)	1	1 OP, 1.0L		
	69	00033-11610	WYCH PLUG WATER PUMP	1	50.0L		

REVISED MARCH, 1972

15 = 4

Printed in Japan

FIG. 15A-1 i16 NISSAN MOTOR CO., LTD.



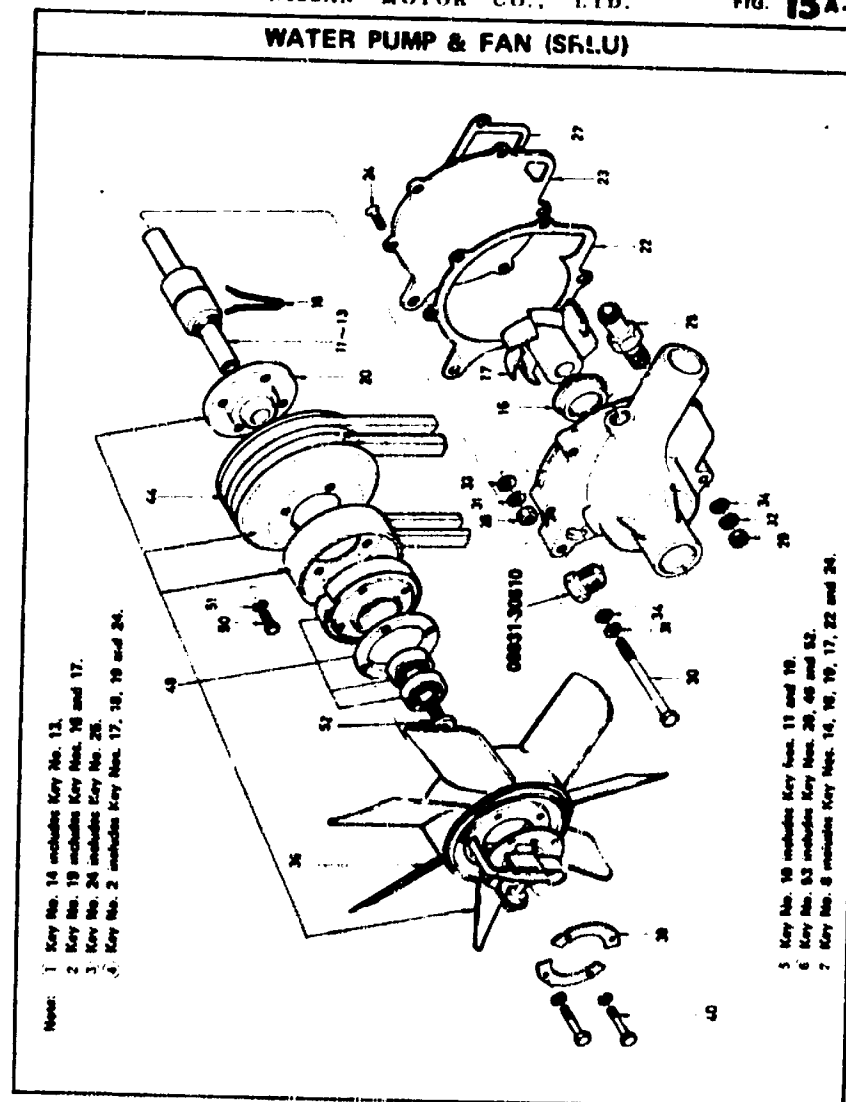
MARCH, 1971

F15A - 1

Printed in Japan

NISSAN MOTOR CO., LTD.

FIG. 15A-2



- Notes:
- 1 Key No. 14 includes Key No. 13.
 - 2 Key No. 19 includes Key Nos. 18 and 17.
 - 3 Key No. 24 includes Key No. 26.
 - 4 Key No. 2 includes Key Nos. 17, 18, 19 and 24.

- 5 Key No. 18 includes Key Nos. 11 and 10.
- 6 Key No. 23 includes Key Nos. 20, 40 and 52.
- 7 Key No. 8 includes Key Nos. 14, 16, 19, 17, 22 and 24.

MARCH, 1971

F15A - 2

Printed in Japan

FIG. 15A J1 NISSAN MOTOR CO., LTD.

S. KEY NO.	PART NO.	PART NAME	QTY	SALES UNIT	MODEL	ICA
WATER PUMP & FAN (2L)						
1	21010-25501	ASSY-WATER PUMP	1	1	2L EXC EXHAUSTED	
2	21010-25502	ASSY-WATER PUMP	1	1	2L EXC EMISSION CONTROL	Y
3	21010-25525	ASSY-WATER PUMP W/GASKET	1	1	2L EXC EMISSION CONTROL	Y
4	21000-2-600	WATER PUMP W/FAN CLUTCH (FROM OCT-67)	1	1	2L EXHAUSTED	
5	21000-25601	WATER PUMP W/O FAN CLUTCH (FROM JULY-69)	1	1	2L EMISSION CONTROL	Y
6	21000-25625	WATER PUMP W/GASKET	1	1	2L EMISSION CONTROL	Y
7	21010-25600	WATER PUMP (FROM OCT-67)	1	1	2L EMISSION CONTROL	Y
8	21010-25601	WATER PUMP (FROM JULY-69)	1	1	2L EMISSION CONTROL	Y
9	21010-25625	WATER PUMP W/GASKET	1	1	2L EMISSION CONTROL	Y
10	21046-25500	BEARING & SEAL SET	1	1	2L EXC EMISSION CONTROL	
11	21035-25500	BEARING-WATER PUMP	1	1	2L EXC EMISSION CONTROL	
12	21035-25501	BEARING-WATER PUMP	1	1	2L EXC EMISSION CONTROL	Y
13	21035-25601	BEARING-WATER PUMP	1	1	2L EMISSION CONTROL	

15-A-1

Printed in Japan

REVISED: DECEMBER, 1971

NISSAN MOTOR CO., LTD.

FIG. 15A

S. KEY NO.	PART NO.	PART NAME	QTY	SALES UNIT	MODEL	ICA
14	21046-25600	SEAL & BEARING SET	1	1	2L EMISSION CONTROL	
15	21026-14600	ASSY-SEAL, WATER PUMP	1	5	2L	
16	21026-85000	ASSY-SEAL, WATER PUMP	1	10	2L	Y
17	21022-25500	VAPE	1	1	2L	
18	21043-73000	RING-SHAFT	1	10	2L	
19	21047-25500	SEAL & WIRE SET	1	1	2L	
20	21054-25500	GUR	1	1	2L	
21	21014-25500	GASKET	1	10	2L	
22	21014-25501	GASKET	1	10	2L	Y
23	21013-25500	COVER	1	1	2L	
24	21012-25500	SCREEN-MACHINE	3	1	2L	
25	11049-10811	CONNECTOR	1	5	2L	
26	0-931-30610	PLUG-TAPPER	1	50	2L	
27	21074-20100	GASKET-WATER PUMP TO CYLINDER BLOCK	1	10	2L	
28	0-911-14010	NUT-HEXAGON M10	1	50	2L	
29	0-911-10810	NUT-HEXAGON M8	1	50	2L	
30	10267-25500	BOLT-HEXAGON HEAD M8	1	10	2L	
31	0-915-14010	WASHER-SPRING, LOCK M10	1	50	2L	
32	0-915-13810	WASHER-SPRING, LOCK M8	2	50	2L	
33	0-915-44010	WASHER-PLAIN M10	1	50	2L	
34	0-915-47810	WASHER-PLAIN M8	2	50	2L	
35	21060-25501	ASSY-FAN, PLASTIC	1	1	2L EXC SRLU	
36	21040-25600	ASSY-FAN, PLASTIC (7 HLA D.C)	1	1	2L	

15-A-2

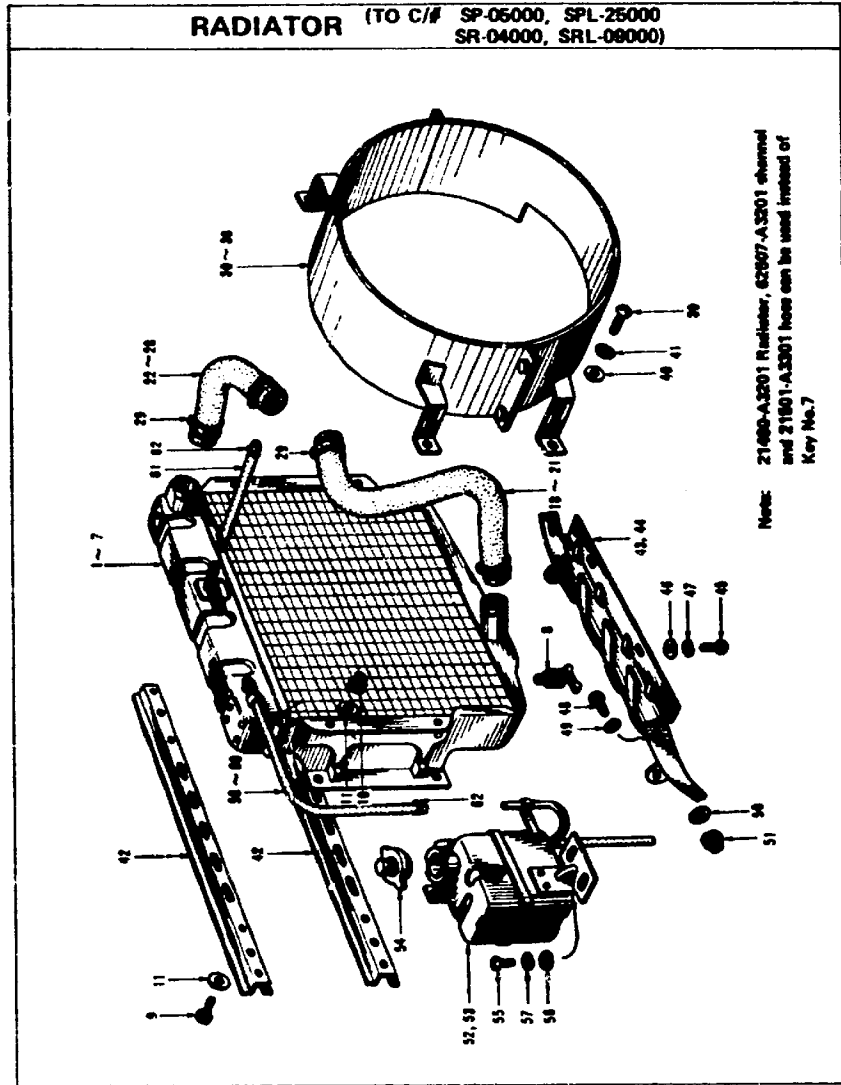
Printed in Japan

REVISED: DECEMBER, 1971

FIG. 15A J2 NISSAN MOTOR CO., LTD.

S KEY NO.	PART NO.	PART NAME	QTY	SALES UNIT	MODEL	ICA
37	21064-25500	SPACER-FAN	1	1	2L	
• 3	21068-25500	WASHER-LOCK, FAN	2		2L	
30	21069-25500	WASHER-LOCK, FAN	20	10	2L	Y
40	09130-66510	BOLT-HEXAGON N6	2	50	2L	
41	21067-10800	BOLT-FAN L990	1	1	SRL	
42	11720-71403	BOLT-FAN L880	1	1	SR	
• 43	11720-25600	BOLT-FAN L870	1	1	SRLU	
44	11720-25604	BOLT FAN L856	1	1	SRLU	Y
45	21051-25500	PULLEY	1	1	2L EXC. SRLU	
46	21051-25600	PULLEY	1	1	SRLU	
47	21036-14700	SPACER-WATER PUMP (FRONT N OCT-67)	1	1	SRLU	
48	13061-14700	STUD-WATER PUMP (FRONT OCT-67)	1	10	SPLU	
49	21150-25600	FAN CLUTCH (FRONT OCT-67)	1	1	SRLU	
50	09130-61610	BOLT-HEX N5 (FRONT OCT-67)	4	30	SRLU	
51	09915-11610	WASHER-LOCK (FRONT OCT-67)	4	50	SRLU	
52	21040-25600	BOLT-TAPING (FRONT OCT-67)	1	10	SRLU	
• 53	21095-25600	ASSY-FAN CLUTCH WITH SEPAR. PULLEY	1	1	SRLU	

FIG. 16 J3 NISSAN MOTOR CO., LTD.



F16 - 1

DECEMBER, 1969

Printed in Japan

NISSAN MOTOR CO., LTD.

FIG. 16

S	KEY NO.	PART NO.	PART NAME	QTY	SALES UNIT	% DEL	ICA
			RADIATOR (TO C/N SP311-06000, SPL-25000 SR311-04000, SRL-08000)				
	1	21400-14601	ASSY-RADIATOR (TO SEP-67)	1	1 1.6L		
	2	21400-14602	ASSY-RADIATOR (FROM OCT-67)	1	1 1.6L EXC USA		N
	3	21400-14701	ASSY-RADIATOR (FROM OCT-67)	1	1 SPLU		N
	4	21400-25501	ASSY-RADIATOR	1	1 SR		
	5	21400-25600	ASSY-RADIATOR (TO SEP-67)	1	1 SRL		
	6	21400-25900	ASSY-RADIATOR (FROM OCT-67)	1	1 2L EXC USA		N
	7	21400-26000	ASSY-RADIATOR (FROM OCT-67)	1	1 SRLU		N
	8	21211-12601	COCK-DRAIN	1	1 ALL		
	9	00114-52510	BOLT	4	50 ALL		
	10	00912-34510	NUT	4	50 ALL		
	11	00915-41510	WASHER-PLAIN	5	50 ALL		
	12	21503-14600	HOSE-RADIATOR TO WATER PUMP	1	SP		
	13	21503-14602	HOSE-LOWER (TO SEP-67)	1	5 SP		Y
	14	21503-14604	HOSE-LOWER (FROM OCT-67)	1	5 SP		N
	15	21503-25501	HOSE-LOWER (TO SEP-67)	1	5 SR		
	16	21503-25901	HOSE-LOWER (FROM OCT-67)	1	5 SR		N
	17	21503-14701	HOSE-RADIATOR TO WATER PUMP	1	SPL		
	18	21503-14702	HOSE-LOWER (TO SEP-67)	1	5 SPL		Y

15 - 1

REVISED: DECEMBER, 1970

Printed in Japan

FIG. 16 J4 NISSAN MOTOR CO., LTD.

S	KEY NO.	PART NO.	PART NAME	QTY	SALES UNIT	MODEL	ICA
	19	21503-14703	HOSE-LOWER (FROM OCT-67)	1	5 SPL SPLU	N	
	20	21503-25601	HOSE-LOWER (TO SEP-67)	1	5 SRL		
	21	21503-26000	HOSE-LOWER (FROM OCT-67)	1	5 SRL SRLU	N	
	22	21501-14600	HOSE-UPPER (TO SEP-67)	1	5 SP		
	23	21501-14603	HOSE-UPPER (FROM OCT-67)	1	5 SP	N	
	24	21501-25503	HOSE-RADIATOR TO CYLINDER HEAD	1	5 SR		
	25	21501-14700	HOSE-UPPER (TO SEP-67)	1	5 SPL		
	26	21501-14701	HOSE-UPPER (FROM OCT-67)	1	5 SPL	N	
	27	21501-14702	HOSE-UPPER (FROM OCT-67)	1	5 SPLU	N	
	28	21501-25601	HOSE-RADIATOR TO CYLINDER HEAD	1	5 SRL		
	29	00721-14410	CLAMP-HOSE	4	10 ALL		
	30	21475-16300	SHROUD-RADIATOR	1	1 SP		
	31	21476-25500	SHROUD-RADIATOR, UPPER (TO SEP-67)	1	1 SR		
	32	21477-25500	SHROUD-RADIATOR, LOWER (TO SEP-67)	1	1 SR		
	33	21475-25901	SHROUD-RADIATOR (FROM OCT-67)	1	1 SP	N	
	34	21475-14700	SHROUD-RADIATOR (TO SEP-67)	1	1 SPL		
	35	21475-14701	SHROUD-RADIATOR (FROM OCT-67)	1	1 SPL	N	
	36	21476-25600	SHROUD-UPPER (TO SEP-67)	1	1 SRL		
	37	21477-25600	SHROUD-LOWER (TO SEP-67)	1	1 SRL		

NISSAN MOTOR CO., LTD.

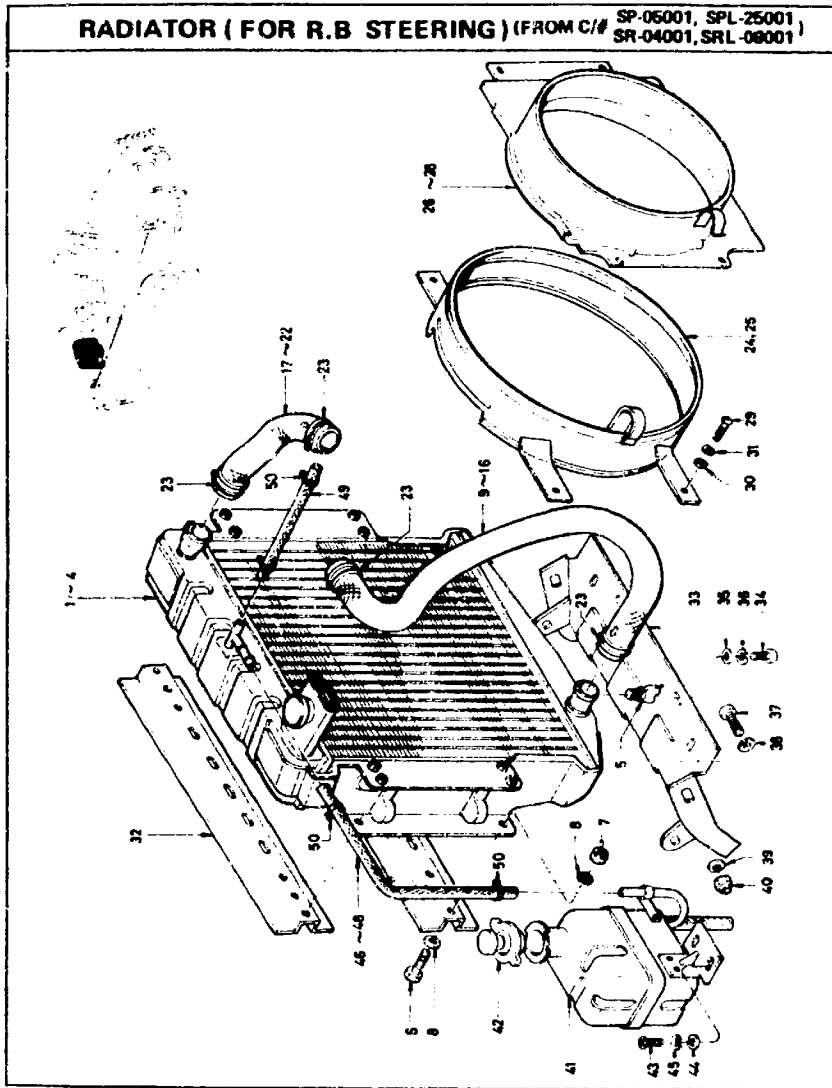
FIG. 16

S	KEY NO.	PART NO.	PART NAME	QTY	SALES UNIT	MODEL	ICA
	38	21475-26900	SHROUD-LOWER (FROM OCT-67)	1	1 SRL, SPLU SPLU	N	
	39	00314-41610	SCREEN-MACHINE	4	50 ALL		
	40	00915-41410	WASHER-PLAIN	4	50 ALL		
	41	00915-11410	WASHER-LOCK	4	50 ALL		
	42	62507-14600	CHANNEL-UPPER & LOWER	2	1 ALL		
	43	62507-A3201	CHANNEL-UPPER & LOWER	2	1 ALL		Y
	44	21476-14601	GUIDE-AIR	1	1 ALL		
	45	21476-14602	GUIDE-AIR	1	1 ALL		N
	46	00314-41610	SCREW	2	50 ALL		
	47	00915-41410	WASHER-PLAIN	2	50 ALL		
	48	00915-11410	WASHER-LOCK	2	50 ALL		
	49	00114-41610	BOLT	2	50 ALL		
	50	00915-11410	WASHER-SPRING	2	50 ALL		
	51	00915-41410	WASHER-SPRING	4	50 ALL		
	52	00911-11410	NUT-HEX.	2	50 ALL		
	53	21510-14601	ASSY-TANK, RESERVOIR (TO SEP-67)	1	1 ALL		
	54	21510-25900	ASSY-TANK, RESERVOIR (FROM OCT-67)	1	1 ALL		N
	55	21430-16300	ASSY-CAP, PRESSURE	1	1 ALL		
	56	00511-41610	SCREW	2	50 ALL		
	57	00915-41410	WASHER-PLAIN	2	50 ALL		
	58	00915-11410	WASHER-LOCK	2	50 ALL		
	59	21515-14600	HOSE-RADIATOR TO RESERVOIR TANK	1	5 SP, SRL		
	60	21515-25500	HOSE-RADIATOR TO RESERVOIR TANK	1	5 SR		

FIG. 16 **J5** NISSAN MOTOR CO., LTD.

S	KEY NO.	PART NO.	PART NAME	QTY	SALES UNIT	MODEL	ICA
	61	21515-14700	HOSE-RADIATOR TO RESER VUIN TANK	1	5	SPL SPLU	
	62	21516-16300	HOSE-BREATHEN,RADIATOR	1	10	ALL	
	63	00721-11310	CLAMP-HOSE	4	10	ALL	

FIG. 16A J6 NISSAN MOTOR CO., LTD.



JUNE, 1969

FIG. 16A - 1

Printed in Japan

NISSAN MOTOR CO., LTD.

FIG. 16A

KEY NO.	PART NO.	PART NAME	QTY	SALES UNIT	MODEL	ICA
RADIATOR (FROM C/# SP311-05001, SPL311-25001 SR311-04001, SRL311-09001)						
1	21400-A3202	ASSY RADIATOR	1	1	1.6L R DRIVE	
2	21400-A3200	ASSY RADIATOR	1	1	1.6L L DRIVE	
3	21400-A3203	ASSY-RADIATOR	1	1	2L R DRIVE	
4	21400-A3201	ASSY RADIATOR	1	1	2L L DRIVE	
5	21211-12601	COCK-DRAIN	1	1	ALL	
6	00114-52910	BOLT	4	50	ALL	
7	00012-34910	NUT	4	50	ALL	
8	00015-41910	WASHER PLAIN	5	50	ALL	
9	21503-A3200	HOSE RADIATOR LOWER	1	5	1.6L R DRIVE	
10	21503-A3201	HOSE RADIATOR LOWER	1	5	1.6L R DRIVE	Y
11	21503-A3300	HOSE RADIATOR LOWER	1	5	1.6L L DRIVE	
12	21503-A3303	HOSE RADIATOR LOWER	1	5	1.6L L DRIVE	Y
13	21503-A3203	HOSE RADIATOR LOWER	1	5	2L R DRIVE	
14	21503-A3204	HOSE RADIATOR LOWER	1	5	2L R DRIVE	Y
15	21503-A3301	HOSE RADIATOR LOWER	1	5	2L L DRIVE	
16	21503-A3302	HOSE-RADIATOR LOWER	1	5	2L L DRIVE	Y
17	21501-A3200	HOSE RADIATOR UPPER	1	5	1.6L R DRIVE	
18	21501-A3201	HOSE RADIATOR UPPER	1	5	1.6L R DRIVE	Y

REVISED: DECEMBER, 1970

16-A- 1

Printed in Japan

FIG. 16 A J7 NISSAN MOTOR CO., LTD.

S	KEY NO.	PART NO.	PART NAME	QTY	SALES UNIT	MODEL	ICA
*	19	21501-A3370	HOSE RADIATOR UPPER	1	5	1.6L L DRIVE	
	20	21501-A3303	HOSE RADIATOR UPPER	1	5	1.6L L DRIVE	Y
	21	21501-A3204	HOSE RADIATOR UPPER	1	5	2L R DRIVE	
	22	21501-A3302	HOSE RADIATOR UPPER	1	5	2L L DRIVE	
	23	00721-14410	CLAMP-HOSE	4	10	ALL	
	24	21475-14600	SHROUD-RADIATOR	1	1	1.6L R DRIVE	
	25	21475-14701	SHROUD-RADIATOR	1	1	1.6L L DRIVE EXC USA	
	26	21475-A3301	SHROUD-RADIATOR	1	1	1.6L USA	
	27	21475-25901	SHROUD-RADIATOR	1	1	2L R DRIVE	
	28	21475-A3300	SHROUD-RADIATOR	1	1	2L L DRIVE	
	29	00314-41610	SCREW-MACHINE	4	50	ALL	
	30	00915-41410	WASHER PLAIN	4	50	ALL	
	31	00915-11410	WASHER LOCK	4	50	ALL	
	32	02507-A3201	CHANNEL UPPER & LOWER	2	1	ALL	
	33	21476-14602	GUIVE-AIR	1	1	ALL	
	34	00314-41610	SCREW-MACHINE	2	50	ALL	
	35	00915-41410	WASHER PLAIN	2	50	ALL	
	36	00915-11410	WASHER LOCK	2	50	ALL	
	37	00314-41610	BOLT	2	50	ALL	
	38	00915-11410	WASHER LOCK	2	50	ALL	
	39	00915-41410	WASHER PLAIN	4	50	ALL	
	40	00911-11410	NUY-KEY	2	50	ALL	
	41	21510-25900	ASSY TANK RESERVOIR	1	1	ALL	
	42	21430-16300	ASSY CAP RESERVOIR	1	1	ALL	

16-A- 2

Printed in Japan

REVISED: DECEMBER, 1970

NISSAN MOTOR CO., LTD.

FIG. 16A

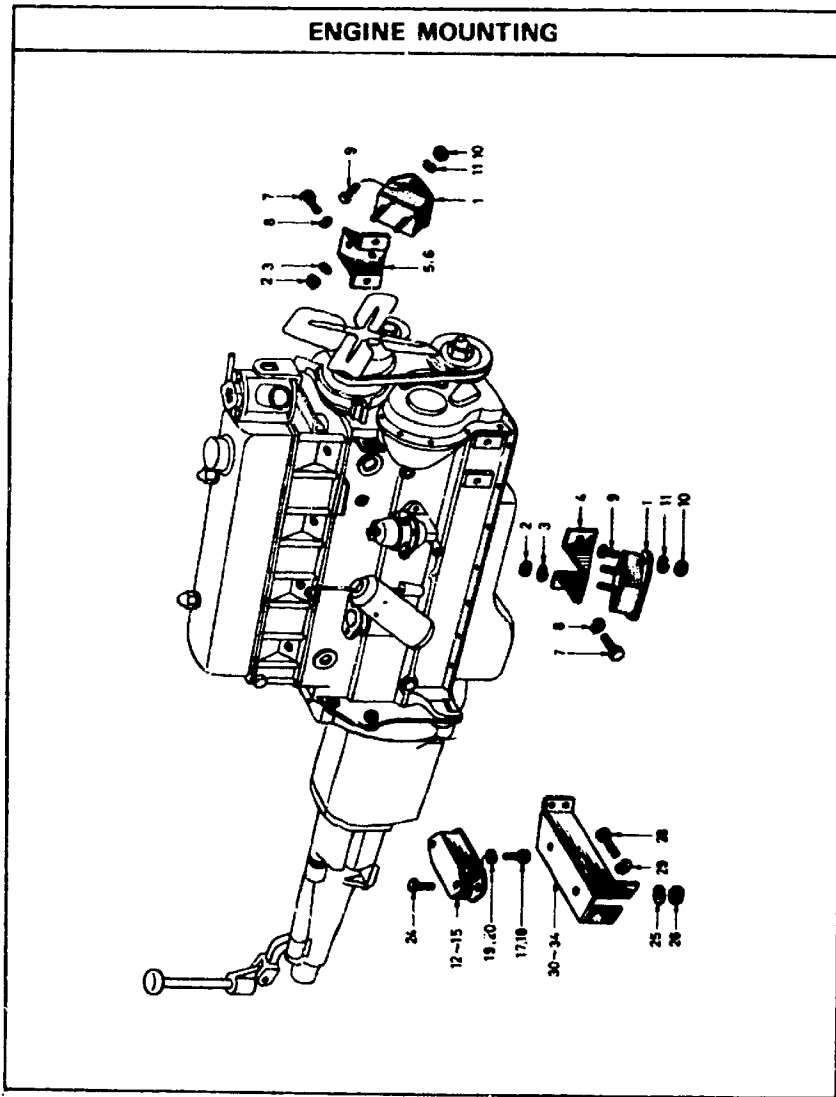
S	KEY NO.	PART NO.	PART NAME	QTY	SALES UNIT	MODEL	ICA
	43	00911-41610	SCREW	2	50	ALL	
	44	00915-41410	WASHER PLAIN	2	50	ALL	
	45	00915-11410	WASHER LOCK	2	50	ALL	
	46	21515-14600	HOSE RADIATOR TO RESERVOIR TANK	1	5	1.6L R DRIVE	
	47	21515-A3200	HOSE RADIATOR TO RESERVOIR TANK	1	5	2L R DRIVE	
	48	21515-14700	HOSE RADIATOR TO RESERVOIR TANK	1	5	L DRIVE	
	49	21516-16300	HOSE-BREATHING RADIATOR	1	10	ALL	
	50	00721-11310	CLAMP-HOSE	4	10	ALL	

16-A- 3

Printed in Japan

REVISED: DECEMBER, 1970

FIG. 17 J8 NISSAN MOTOR CO., LTD.



DECEMBER, 1971

F17 - 1

Printed in Japan

NISSAN MOTOR CO., LTD.

FIG. 17

S KEY NO.	PART NO.	PART NAME	QTY	SALES UNIT	MODEL	ICA
ENGINE MOUNTING						
1	11223-32200	MOUNTING-ENGINE FRONT	2	1	ALL	
2	01911-14510	NUT	4	50	ALL	
3	00915-11510	WASHER-LOCK	4	90	ALL	
4	11215-32200	BRACKET-SUPPORT,ENGINE FRONT(R.H.)	1	1	ALL	
5	11216-32200	BRACKET-SUPPORT,ENGINE FRONT(L.H.)	1	1	ALL	
6	11710-25602	BRACKET LH (FROM OCT-67)	1	1	USA	N
7	01114-62810	BOLT TO FIX BRACKET	4	50	ALL	
8	00915-11610	WASHER-LOCK TO FIX BRACKET	4	50	ALL	
9	01114-52010	BOLT TO FIX MOUNTING	4	50	ALL	
10	01911-14510	NUT TO FIX MOUNTING	4	50	ALL	
11	01915-11510	WASHER-LOCK TO FIX MOUNTING	4	90	ALL	
12	11328-14600	COMP.-MOUNTING,ENGINE REAR	1	1	1.6L	
13	11328-14610	MOUNTING-ENGINE REAR (FROM E/S R-40001 TO SEP-67)	1	1	1.6L	N
14	11328-14611	MOUNTING-ENGINE REAR (FROM OCT-67)	1	1	1.6L	N
15	11328-24503	COMP.-MOUNTING,ENGINE REAR	1	1	2L	
16	01111-22210	BOLT-MTG REAR	2	1	1.6L	
17	01114-52010	BOLT-MTG (TO SEP-67)	2	50	2L	
18	11335-14000	BOLT-MTG (FROM OCT-67)	2	10	2L	N

REVISED: DECEMBER, 1971

17 - 1

Printed in Japan

FIG. 17 J9 NISSAN MOTOR CO., LTD.

KEY NO.	PART NO.	PART NAME	QTY	SALES UNIT	MODEL	ICA
19	00915-11510	WASHER-LOCK, HTG REAR (TO SEP-47)	2	50	2L	
20	00915-14210	WASHER-LOCK, HTG REAR (FROM OCT-47)	2	50	2L	Y
21	00915-14010	WASHER-SPRING, T/M TO INSULATOR	2		1.6L	
22	00911-14010	NUT-T/M TO INSULATOR	2	50	1.6L	
23	00911-14610	NUT-INSULATOR TO CROSS MEMBER	2		2L	
24	00114-02210	BOLT TO FIX MOUNTING TO BRACKET	2	50	ALL	
25	00915-41610	WASHER-PLAIN TO FIX MOUNTING TO BRACKET	2	50	ALL	
26	00911-14610	NUT TO FIX MOUNTING TO BRACKET	2	50	ALL	
27	00915-11610	WASHER-SPRING, INSULATOR TO CROSS MEMBER	2		ALL	
28	00114-52010	BOLT TO FIX SUPPORT TO CROSS MEMBER	8	50	ALL	
29	00915-21510	WASHER-LOCK TO FIX SUPPORT TO CROSS MEMBER	8	50	ALL	
30	11312-10401	SUPPORT-ENGINE REAR	1		1.6L	
31	11311-14611	SUPPORT-ENGINE REAR (FOR S. F. # R-40001)	1	5	1.6L	
32	11311-14612	SUPPORT-ENGINE REAR	1	1	1.6L	Y
33	11311-25501	SUPPORT-ENGINE, REAR	1	5	2L	
34	11311-24900	SUPPORT-ENGINE REAR	1	1	2L	Y

Get the best!
GENUINE DATSUN PARTS



Engineering Department Parts Division



NISSAN MOTOR CO., LTD.



Tokyo, Japan